

NSCF 125-250/150/P45VCC4

Technical data

Company name
Contact
Phone number
e-mail address

Operating data				
1	Pumpe type	Single head pump	Fluid	Water, pure
2	No. of pumps	1	Operating temperature t A	°C 4
3	Nominal flow	m³/h 0	Max / Min Operating Temperature mech. Seal	°C 120 / -25
4	Nominal head	m 0	pH-value at t A	7
5	Static head	m 0	Density at t A	kg/m³ 1000
6	Inlet pressure	kPa 0	Kin. viscosity at t A	mm²/s 1.569
7	Environmental temperature	°C 20	Vapor pressure at t A	kPa 100
8	Available system NPSH	m 0	Altitude	0

Pump data				
9	Lubrication	Standard, Grease lubrication [Std]		
10	Execution	Standard coupling		
11	Design	Horizontal		
12	Operating speed	1465 rpm	Stages	1
13	Suction nozzle	DN150 / PN10/16 / EN1092-2	Impeller Ø	Max. mm 259
14	Discharge nozzle	DN125 / PN10/16 / EN1092-2		designed mm 259
15	Max. casing pressure	kPa	Min. mm 210	Nominal m³/h
16	Max. working pressure	kPa 214.3	Flow	Max- m³/h 358.8
17	Impeller type	Radial impeller		Min- m³/h 49.8
18	Head H(Q=0)	m 22	Head	Nominal m
19	Max. shaft power	kW 14.6		at Qmax m 10.9
20	Pump weight	kg 112	at Qmin m 21.6	Shaft power kW
21	Total weight	kg 346.1	Efficiency %	NPSH 3% m

Materials				
Pump		Shaft Seal		
23	Volute Casing	Cast Iron, EN 1561 - GJL-250, ASTM Class 35	Single mechanical seal, without shaft sleeve	
24	Impeller	Cast Iron, EN 1561 - GJL-200, ASTM Class 30	eMG12 - Ø38mm	BQ7EGG-WA
25	Casing Cover	Cast Iron, EN 1561 - GJL-250, ASTM Class 35	Mechanical seal diameter	38 mm
26	Shaft	Stainless steel, 1.4057, AISI 431	1. Rotating ring	Carbon graphite resin impregnated
27	Wear ring	Stainless steel, 1.4301, AISI 304	2. Stationary ring	SiC, silicon carbide, sintered press. less
28	Impeller lock nut and washer	A4 (1.4401)	3. Secondary seal	Ethylene propylene rubber (EPDM)
29	Impeller key	Stainless steel, 1.4571, AISI 316Ti	4. Springs	CrNiMo - Steel
30	Fill and drain plugs	Galvanized carbon steel, EN 10277-3, AISI 1213 / 1215	5. Others	EPDM - WRAS
31	Bearing bracket	Cast Iron, EN 1561 - GJL-250, ASTM Class 35	Gaskets of the pump	Ethylene propylene rubber (EPDM)
32				
33				
34				
35				
36				
37				
38				
39				
40				
41				

Motor data				Coupling			
Electrical and dimensional data refer to IE3 motor							
42	Manufacturer	Lowara		Manufacturer	Flender		
43	Specific design	IE3 3ph Surface Motor - Premium Efficiency		Series	Standard Coupling - N-EUPEX - Type B		
44	Type	PLM 160 B3 15 kW		Shaft diameter	Pump 32 mm	Motor 42 mm	
45	Rated power	15 kW	Rated current 30.7 A	Frame size	110		
46	Nominal speed	1465 rpm	Rated voltage 400 V	Spacer length	mm 4		
47	Frame size	160	Service factor 1	Weight	kg 3.3		
48	Weight kg	127.4	Degree of protection IP55	Coupling protection	GR.COUPLGUARD ES32-190-16 A4	1.8 kg	

Base plate			Remarks			
49	Name	BASEFRAME_NSC80-2_C00				
50	Weight	kg 101.6				

Project	Xylect-20101351	Created by		Last update	12/15/2024
Block	NSCF 125-250/150/P45VCC4	Created on	12/15/2024		

NSCF 125-250/150/P45VCC4

Performance curve

Company name
Contact
Phone number
e-mail address

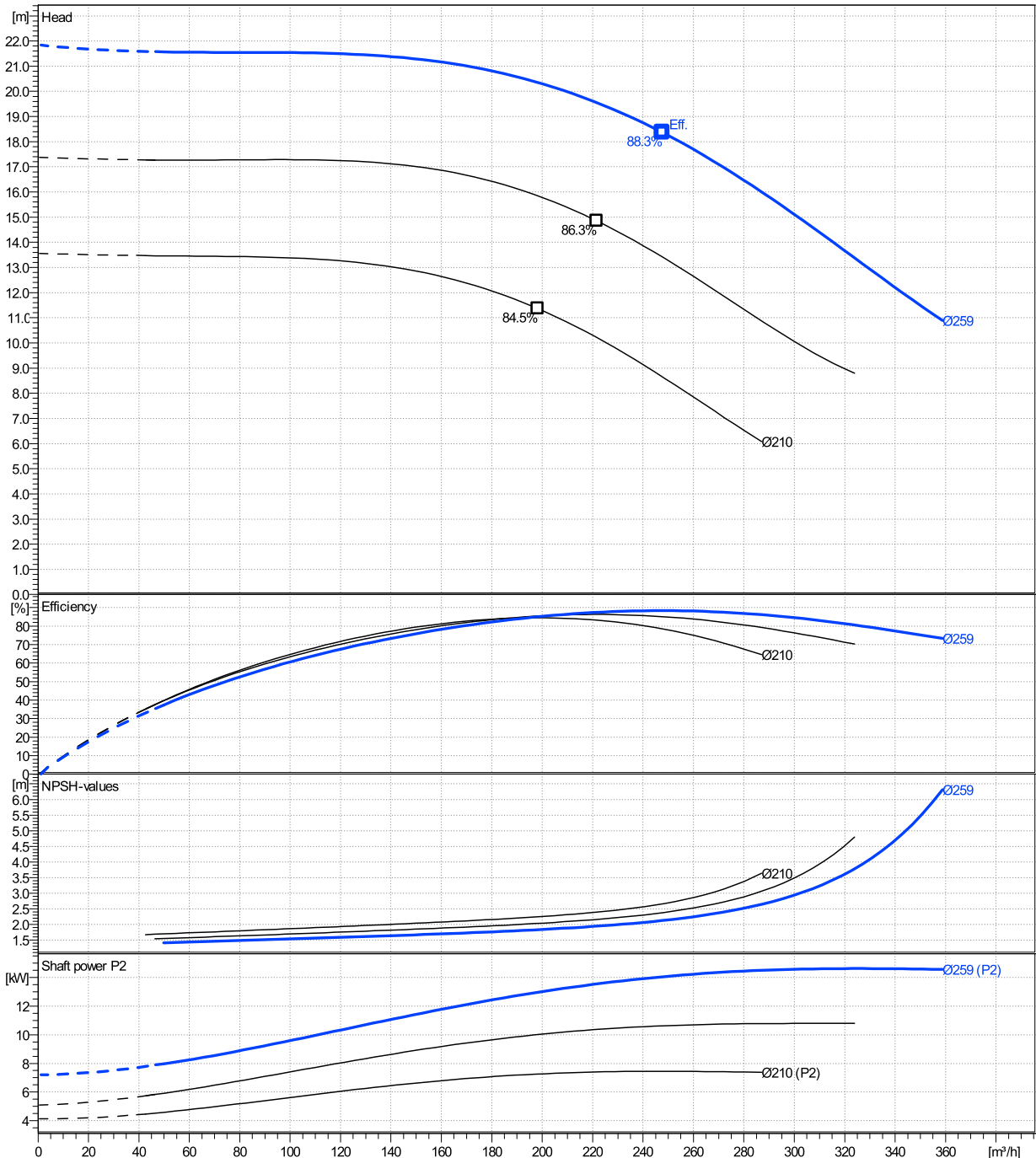
	Ø mm	Pump capacity			Pump head		Shaft power P2			Frequency	Hz	50
		Operating range Min. m³/h	Max. m³/h	η Max. m³/h	H(Q=0) m	η Max. m	P2(Q=0) kW	Max. kW	η Max. kW	Operating speed	rpm	1465
actual	259	49.8	359	248	21.8	18.4	14.6	14.1	Nominal flow	m³/h	0	
Min.	0	/	/	198	13.6	11.4	/	7.26	Nominal head	m	0	
Max.	259	/	/	248	21.8	18.4	/	14.1	Inlet pressure	kPa	0	
									Static head	m	0	

Power datas referred to:

hydr. Performance acceptance acc. To EN ISO 9906 Class Grade 3B

Water, pure [100%] ; 4°C; 1000kg/m³; 1.57mm²/s

MEI: >=0,70 - according to Ecodesign Directive 2009/125/EC and Regulation (EU) No.547/2012



NSCF 125-250/150/P45VCC4

Dimensions

Company name
Contact
Phone number
e-mail address

Frame mounted
Standard coupling
PLM 160 B3 15 kW

Electrical and dimensional data refer to IE3 motor

Dimensions [mm]

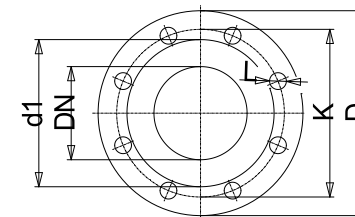
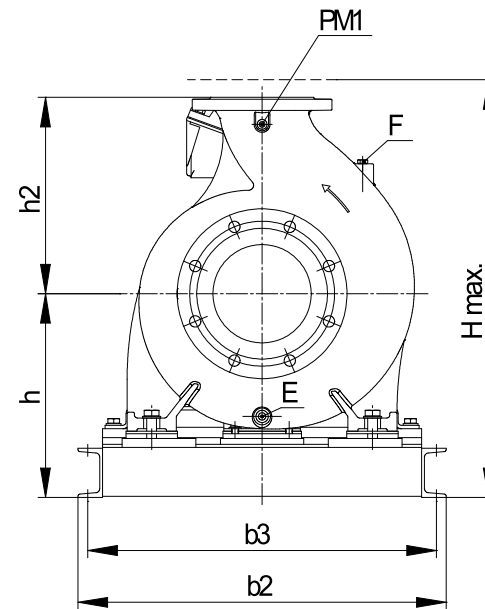
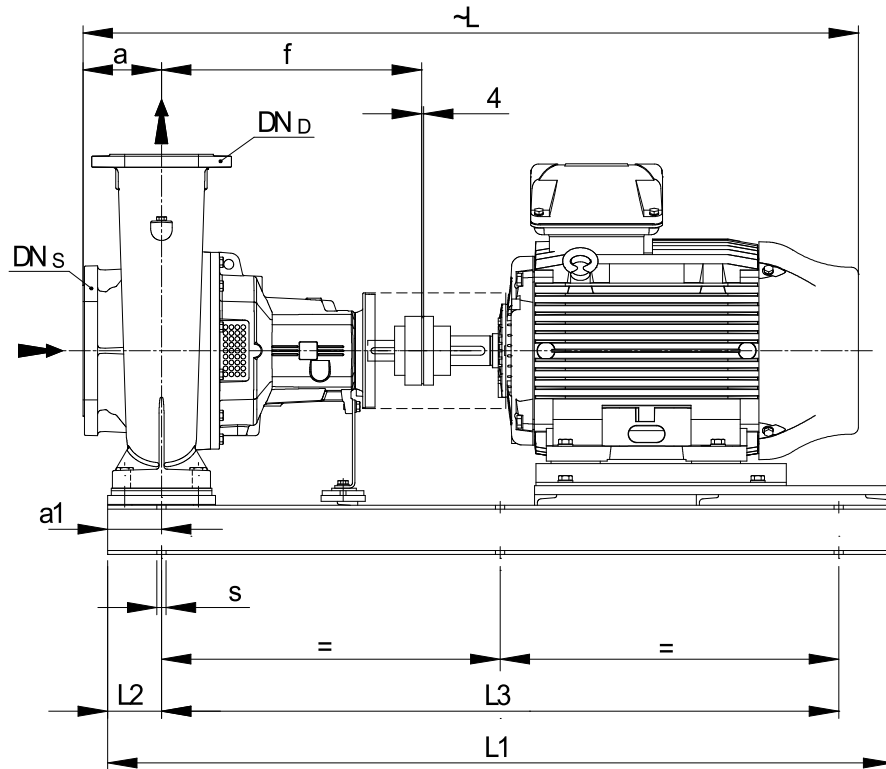
a	140
a1	110
b2	670
b3	630
CTO	0
DNd	125
DNs	150
E	3/8"
F	3/8"
f	470
Guard	194
h	365
h2	355
Hmax	720
L	1218
L1	1330
L2	110
L3	1110
PM1	1/4"
s	6xØ19
Trim	0
Volumen	0.58756

Weight

Total weight	346.1 kg
---------------------	-----------------

Connections

Suction nozzle		Discharge nozzle	
DN150		DN125	
PN10/16		PN10/16	
EN1092-2		EN1092-2	
C	26	C	26
D	285	D	255
d1	211	d1	184
K	240	K	210
L	23	L	19
z	8	z	8



Value C, D may vary from Standard

Dimensions and weight without obligation

Project	Xylect-20101351	Created by		Last update	12/15/2024
Block	NSCF 125-250/150/P45VCC4	Created on	12/15/2024		