

NSCF 125-315/1320/L25VCC4 E4

Technical data

Company name
Contact
Phone number
e-mail address

Operating data				
1	Pumpe type	Single head pump	Fluid	Water, pure
2	No. of pumps	1	Operating temperature t A	°C 4
3	Nominal flow	m³/h 0	Max / Min Operating Temperature mech. Seal	°C 120 / -25
4	Nominal head	m 0	pH-value at t A	7
5	Static head	m 0	Density at t A	kg/m³ 1000
6	Inlet pressure	kPa 0	Kin. viscosity at t A	mm²/s 1.569
7	Environmental temperature	°C 20	Vapor pressure at t A	kPa 100
8	Available system NPSH	m 0	Altitude	0

Pump data				
9	Lubrication	Standard, Grease lubrication [Std]		
10	Execution	Standard coupling		
11	Design	Horizontal		
12	Operating speed	2990 rpm	Stages	1
13	Suction nozzle	DN150 / PN10/16 / EN1092-2	Impeller Ø	Max. mm 290
14	Discharge nozzle	DN125 / PN10/16 / EN1092-2		designed mm 265
15	Max. casing pressure	kPa	Flow	Min. mm 250
16	Max. working pressure	kPa 955.5		Nominal m³/h
17	Impeller type	Radial impeller		Max- m³/h 540.8
18	Head H(Q=0)	m 97	Head	Min- m³/h 91.3
19	Max. shaft power	kW 128		Nominal m
20	Pump weight	kg 152	at Qmax m 58.2	at Qmin m 97.4
21	Total weight	kg 1,342.3	Shaft power kW	Efficiency %
			NPSH 3%	m

Materials				
22		Pump	Shaft Seal	
23	Volute Casing	Cast Iron, EN 1561 - GJL-250, ASTM Class 35		Single mechanical seal, without shaft sleeve
24	Impeller	Cast Iron, EN 1561 - GJL-200, ASTM Class 30		eMG12 - Ø48mm BQ7EGG-WA
25	Casing Cover	Cast Iron, EN 1561 - GJL-250, ASTM Class 35		Mechanical seal diameter 48 mm
26	Shaft	Stainless steel, 1.4057, AISI 431		1. Rotating ring Carbon graphite resin impregnated
27	Wear ring	Stainless steel, 1.4301, AISI 304		2. Stationary ring SiC, silicon carbide, sintered press. less
28	Impeller lock nut and washer	A4 (1.4401)		3. Secondary seal Ethylene propylene rubber (EPDM)
29	Impeller key	Stainless steel, 1.4571, AISI 316Ti		4. Springs CrNiMo - Steel
30	Fill and drain plugs	Galvanized carbon steel, EN 10277-3, AISI 1213 / 1215		5. Others EPDM - WRAS
31	Bearing bracket	Cast Iron, EN 1561 - GJL-250, ASTM Class 35		Gaskets of the pump Ethylene propylene rubber (EPDM)
32				
33				
34				
35				
36				
37				
38				
39				
40				
41				

Motor data				Coupling			
42	Manufacturer	Lowara		Manufacturer	Flender		
43	Specific design	IE4 3ph Surface Motor - Super Premium Efficiency		Series	Standard Coupling - N-EUPEX - Type B		
44	Type	3MGS 315 M B3 132 kW E4		Shaft diameter	Pump 42 mm	Motor 65 mm	
45	Rated power	132 kW	Rated current 218 A	Frame size	160		
46	Nominal speed	2990 rpm	Rated voltage 400 V	Spacer length	mm 4		
47	Frame size	315 M	Service factor 1	Weight	kg 7.8		
48	Weight kg	960.6	Degree of protection IP55	Coupling protection	GR.COUPLGUARD ES42-230-23 A4	3.4 kg	

Base plate		Remarks	
49	Name	BASEFRAME_NSC80-10_C00	
50	Weight kg	218.5	

NSCF 125-315/1320/L25VCC4 E4

Performance curve

Company name
Contact
Phone number
e-mail address

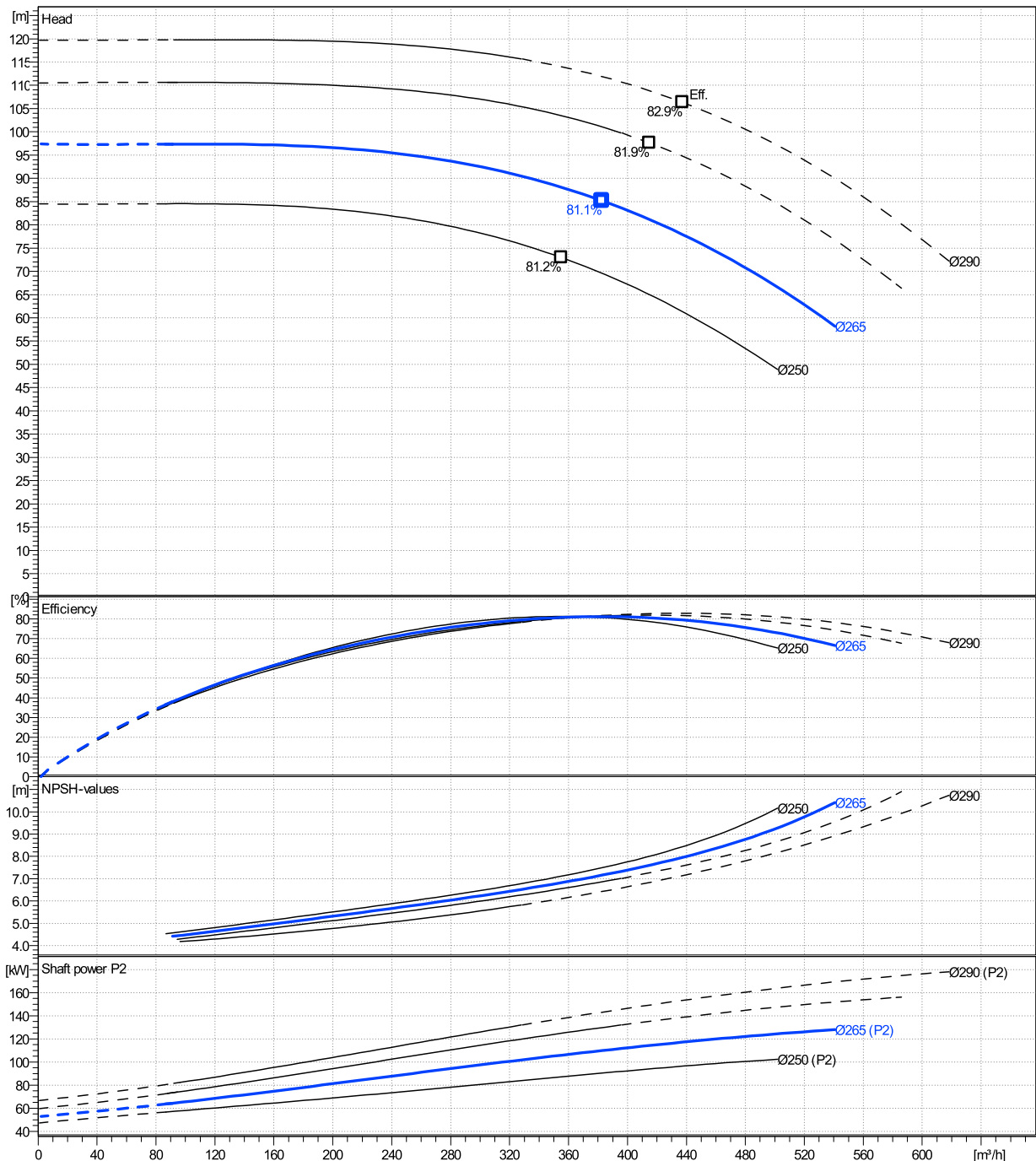
	Ø mm	Pump capacity			Pump head		Shaft power P2			Frequency	Hz
		Operating range Min. m³/h	Max. m³/h	η Max. m³/h	H(Q=0) m	η Max. m	P2(Q=0) kW	Max. kW	η Max. kW	Operating speed	rpm
actual	265	91.3	541	383	97.4	85.2	128	110		50	
Min.	0	/	/	355	84.5	73	/	87.1		2990	
Max.	290	/	/	437	120	106	/	153		0	
									Nominal flow	m³/h	0
									Nominal head	m	0
									Inlet pressure	kPa	0
									Static head	m	0

Power datas referred to:

hydr. Performance acceptance acc. To EN ISO 9906 Class Grade 3B

Water, pure [100%] ; 4°C; 1000kg/m³; 1.57mm²/s

MEI: N.A - according to Ecodesign Directive 2009/125/EC and Regulation (EU) No.547/2012



NSCF 125-315/1320/L25VCC4 E4

Dimensions

Company name
Contact
Phone number
e-mail address

Frame mounted
Standard coupling
3MGS 315 M B3 132 kW E4

Electrical and dimensional data refer to IE4 motor

Dimensions [mm]

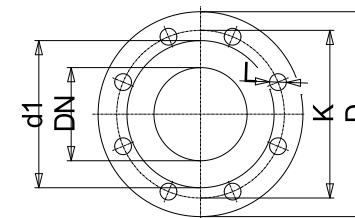
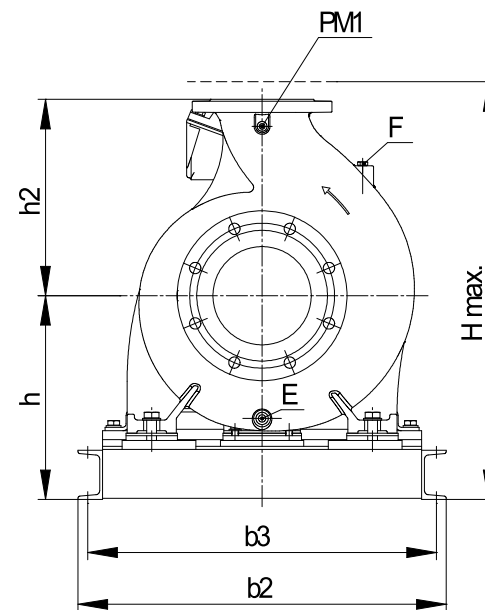
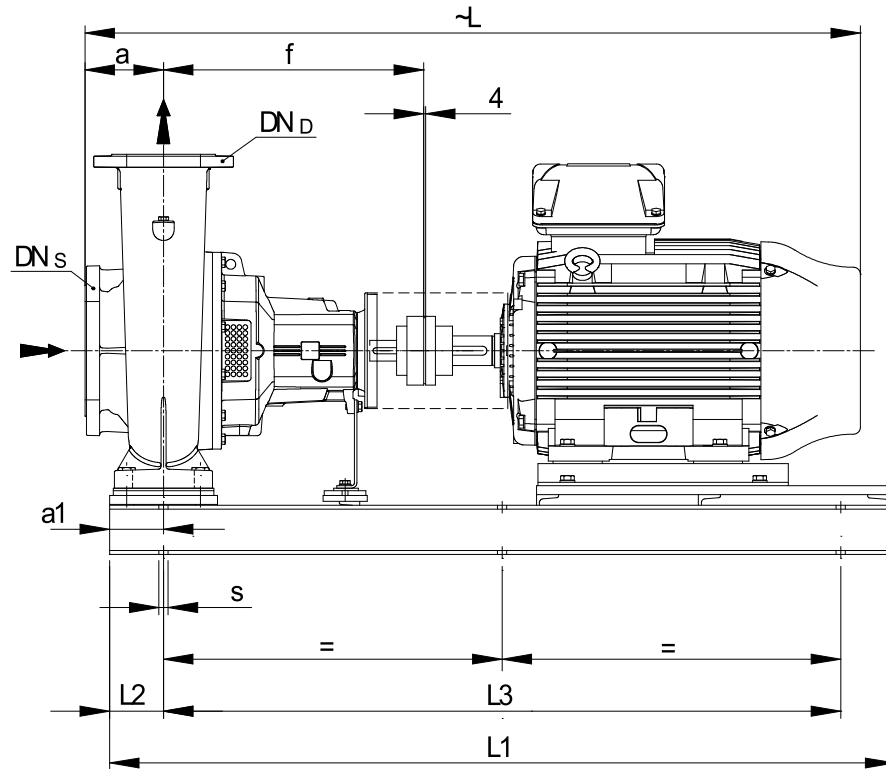
a	140
a1	110
b2	860
b3	810
CTO	0
DNd	125
DNs	150
E	3/8"
F	3/8"
f	530
Guard	254
h	505
h2	355
Hmax	1062
L	1799.5
L1	1850
L2	110
L3	1630
PM1	1/4"
s	6xØ26
Trim	0
Volumen	1.6435

Weight

Total weight	1342.3 kg
---------------------	------------------

Connections

Suction nozzle		Discharge nozzle	
DN150		DN125	
PN10/16		PN10/16	
EN1092-2		EN1092-2	
C	26	C	26
D	285	D	255
d1	211	d1	184
K	240	K	210
L	23	L	19
z	8	z	8



Value C, D may vary from Standard

Dimensions and weight without obligation

Project	Xylect-20100489
Block	NSCF 125-315/2000/L25VCC4 E4

Created by	
Created on	12/14/2024

Last update	12/14/2024
-------------	------------