

# NSCF 125-315/1600/L25VCC4 E4

## Technical data

Company name  
Contact  
Phone number  
e-mail address

Operating data						
1	Pumpe type	Single head pump		Fluid	Water, pure	
2	No. of pumps	1		Operating temperature t A	°C	4
3	Nominal flow	m <sup>3</sup> /h	0	Max / Min Operating Temperature mech. Seal	°C	120 / -25
4	Nominal head	m	0	pH-value at t A		7
5	Static head	m	0	Density at t A	kg/m <sup>3</sup>	1000
6	Inlet pressure	kPa	0	Kin. viscosity at t A	mm <sup>2</sup> /s	1.569
7	Environmental temperature	°C	20	Vapor pressure at t A	kPa	100
8	Available system NPSH	m	0	Altitude		0

Pump data						
9	Lubrication	Standard, Grease lubrication [Std]				
10	Execution	Standard coupling				
11	Design	Horizontal				Impeller Ø
12	Operating speed	2985 rpm	Stages	1		Max. mm 290
13	Suction nozzle	DN150 / PN10/16 / EN1092-2				designed mm 280
14	Discharge nozzle	DN125 / PN10/16 / EN1092-2				Min. mm 250
15	Max. casing pressure	kPa				Nominal m <sup>3</sup> /h
16	Max. working pressure	kPa	1080.3			Max- m <sup>3</sup> /h 585
17	Impeller type	Radial impeller				Min- m <sup>3</sup> /h 94.2
18	Head H(Q=0)	m	110			Nominal m
19	Max. shaft power	kW	155.4			at Qmax m 66.1
20	Pump weight	kg	152			at Qmin m 110.3
21	Total weight	kg	1,336.7			Shaft power kW
						Efficiency %
						NPSH 3% m

Materials						
22		Pump			Shaft Seal	
23	Volute Casing	Cast Iron, EN 1561 - GJL-250, ASTM Class 35			Single mechanical seal, without shaft sleeve	
24	Impeller	Cast Iron, EN 1561 - GJL-200, ASTM Class 30			eMG12 - Ø48mm	BQ7EGG-WA
25	Casing Cover	Cast Iron, EN 1561 - GJL-250, ASTM Class 35			Mechanical seal diameter	48 mm
26	Shaft	Stainless steel, 1.4057, AISI 431			1. Rotating ring	Carbon graphite resin impregnated
27	Wear ring	Stainless steel, 1.4301, AISI 304			2. Stationary ring	SiC, silicon carbide, sintered press.less
28	Impeller lock nut and washer	A4 (1.4401)			3. Secondary seal	Ethylene propylene rubber (EPDM)
29	Impeller key	Stainless steel, 1.4571, AISI 316Ti			4. Springs	CrNiMo - Steel
30	Fill and drain plugs	Galvanized carbon steel, EN 10277-3, AISI 1213 / 1215			5. Others	EPDM - WRAS
31	Bearing bracket	Cast Iron, EN 1561 - GJL-250, ASTM Class 35			Gaskets of the pump	Ethylene propylene rubber (EPDM)
32						
33						
34						
35						
36						
37						
38						
39						
40						
41						

Motor data				Coupling			
Electrical and dimensional data refer to IE4 motor							
42	Manufacturer	Lowara		Manufacturer	Flender		
43	Specific design	IE4 3ph Surface Motor - Super Premium Efficiency		Series	Standard Coupling - N-EUPEX - Type B		
44	Type	3MGS 315 M B3 160 kW E4		Shaft diameter	Pump 42 mm	Motor 65 mm	
45	Rated power	160 kW	Rated current 262 A	Frame size	160		
46	Nominal speed	2985 rpm	Rated voltage 400 V	Spacer length	mm	4	
47	Frame size	315 M	Service factor 1	Weight	kg 7.8		
48	Weight kg	955.0	Degree of protection IP55	Coupling protection	GR.COUPLGUARD ES42-230-23 A4		3.4 kg

Base plate		Remarks	
49	Name	BASEFRAME_NSC80-10_C00	
50	Weight kg	218.5	

# NSCF 125-315/1600/L25VCC4 E4

## Performance curve

Company name  
Contact  
Phone number  
e-mail address

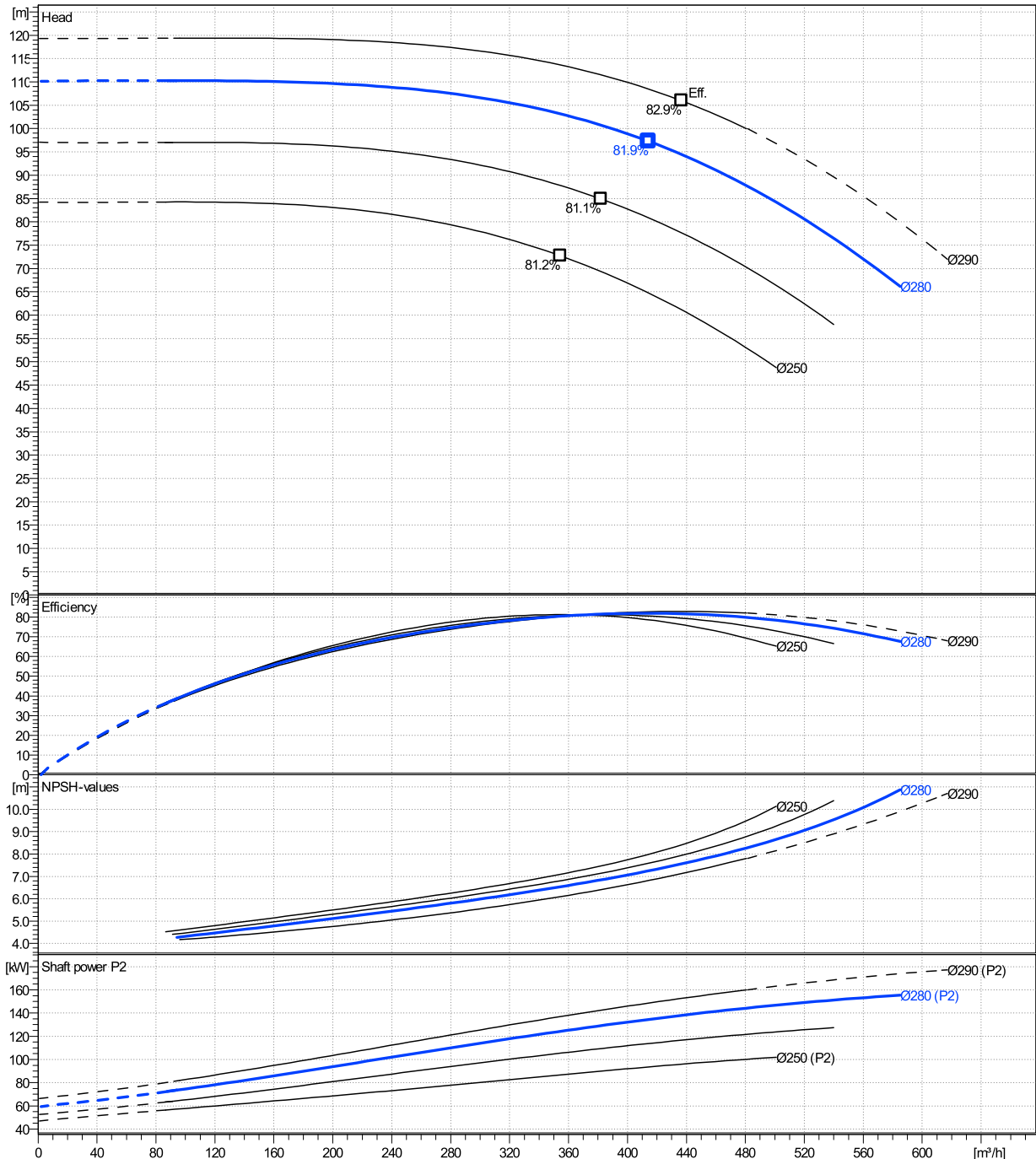
	Ø mm	Pump capacity			Pump head		Shaft power P2			Frequency	Hz	
		Operating range Min. m³/h	Max. m³/h	η Max. m³/h	H(Q=0) m	η Max. m	P2(Q=0) kW	Max. kW	η Max. kW	Operating speed	rpm	
actual	280	94.2	585	414	110	97.3		155	134	Nominal flow	m³/h	0
Min.	0	/	/	354	84.2	72.7		/	86.7	Nominal head	m	0
Max.	290	/	/	437	119	106		/	153	Inlet pressure	kPa	0
										Static head	m	0

**Power datas referred to:**

hydr. Performance acceptance acc. To EN ISO 9906 Class Grade 3B

Water, pure [100%] ; 4°C; 1000kg/m³; 1.57mm²/s

MEI: N.A - according to Ecodesign Directive 2009/125/EC and Regulation (EU) No.547/2012



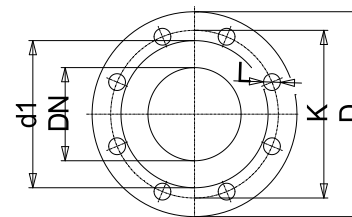
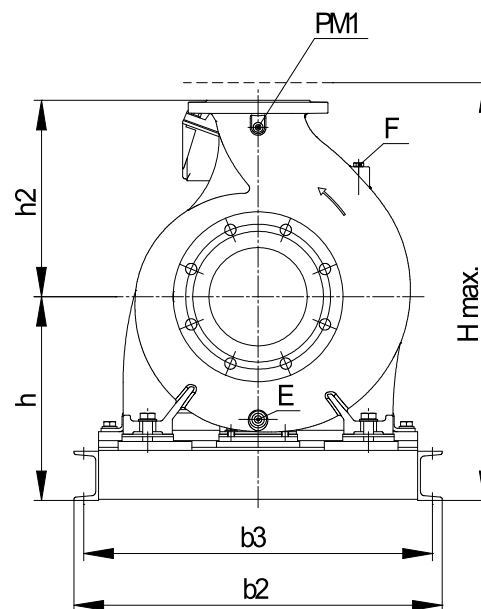
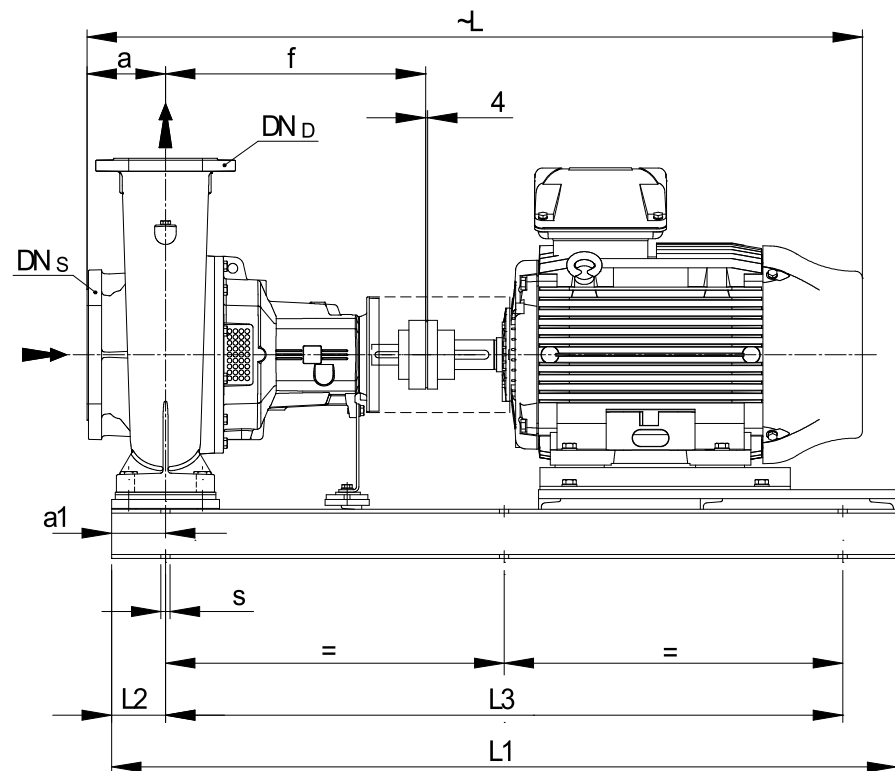
# NSCF 125-315/1600/L25VCC4 E4

## Dimensions

Company name  
Contact  
Phone number  
e-mail address

Frame mounted  
Standard coupling  
3MGS 315 M B3 160 kW E4

Electrical and dimensional data refer to IE4 motor



Value C, D may vary from Standard

Dimensions		[ mm ]	
a	140		
a1	110		
b2	860		
b3	810		
CTO	0		
DNd	125		
DNs	150		
E	3/8"		
F	3/8"		
f	530		
Guard	254		
h	505		
h2	355		
Hmax	1062		
L	1799.5		
L1	1850		
L2	110		
L3	1630		
PM1	1/4"		
s	6xØ26		
Trim	0		
Volumen	1.6435		

Weight	
Total weight	1336.7 kg

Connections			
Suction nozzle		Discharge nozzle	
DN150		DN125	
PN10/16		PN10/16	
EN1092-2		EN1092-2	
C	26	C	26
D	285	D	255
d1	211	d1	184
K	240	K	210
L	23	L	19
z	8	z	8

### Dimensions and weight without obligation

Project	Xylect-20100489	Created by		Last update	12/14/2024
Block	NSCF 125-315/2000/L25VCC4 E4	Created on	12/14/2024		