

NSCF 150-400/220/L65VCC4

Technical data

Company name
Contact
Phone number
e-mail address

Operating data					
1	Pumpe type	Single head pump	Fluid	Water, pure	
2	No. of pumps	1	Operating temperature t A	°C	4
3	Nominal flow	m³/h 0	Max / Min Operating Temperature mech. Seal	°C	120 / -25
4	Nominal head	m 0	pH-value at t A		7
5	Static head	m 0	Density at t A	kg/m³	1000
6	Inlet pressure	kPa 0	Kin. viscosity at t A	mm²/s	1.569
7	Environmental temperature	°C 20	Vapor pressure at t A	kPa	100
8	Available system NPSH	m 0	Altitude		0

Pump data					
9	Lubrication	Standard, Grease lubrication [Std]			
10	Execution	Standard coupling			
11	Design	Horizontal			
12	Operating speed	980 rpm	Stages	1	
13	Suction nozzle	DN200 / PN16	/ EN1092-2		
14	Discharge nozzle	DN150 / PN10/16	/ EN1092-2		
15	Max. casing pressure	kPa		Impeller Ø	Max. mm 423
16	Max. working pressure	kPa 214.4		designed	mm 377
17	Impeller type	Radial impeller		Min.	mm 337
18	Head H(Q=0)	m 22		Nominal	m³/h
19	Max. shaft power	kW 21.2		Flow	Max- m³/h 454
20	Pump weight	kg 228		Min-	m³/h 46
21	Total weight	kg 519.0		Head	Nominal m
				at Qmax	m 11.5
				at Qmin	m 22
				Shaft power	kW
				Efficiency	%
				NPSH 3%	m

Materials					
22		Pump		Shaft Seal	
23	Volute Casing	Cast Iron, EN 1561 - GJL-250, ASTM Class 35		Single mechanical seal, without shaft sleeve	
24	Impeller	Cast Iron, EN 1561 - GJL-200, ASTM Class 30		eMG12 - Ø48mm	BQ7EGG-WA
25	Casing Cover	Cast Iron, EN 1561 - GJL-250, ASTM Class 35		Mechanical seal diameter	48 mm
26	Shaft	Stainless steel, 1.4057, AISI 431		1. Rotating ring	Carbon graphite resin impregnated
27	Wear ring	Stainless steel, 1.4301, AISI 304		2. Stationary ring	SiC, silicon carbide, sintered press. less
28	Impeller lock nut and washer	A4 (1.4401)		3. Secondary seal	Ethylene propylene rubber (EPDM)
29	Impeller key	Stainless steel, 1.4571, AISI 316Ti		4. Springs	CrNiMo - Steel
30	Fill and drain plugs	Galvanized carbon steel, EN 10277-3, AISI 1213 / 1215		5. Others	EPDM - WRAS
31	Bearing bracket	Cast Iron, EN 1561 - GJL-250, ASTM Class 35		Gaskets of the pump	Ethylene propylene rubber (EPDM)
32					
33					
34					
35					
36					
37					
38					
39					
40					
41					

Motor data				Coupling			
42	Manufacturer	Lowara		Manufacturer	Flender		
43	Specific design	IE3 3ph Surface Motor - Premium Efficiency		Series	Standard Coupling - N-EUPEX - Type B		
44	Type	3MAS 200 L B3 22 kW		Shaft diameter	Pump 42 mm	Motor 55 mm	
45	Rated power	22 kW	Rated current 43.7 A	Frame size	125		
46	Nominal speed	980 rpm	Rated voltage 400 V	Spacer length	mm 4		
47	Frame size	200 L	Service factor 1	Weight	kg 5.2		
48	Weight kg	184.0	Degree of protection IP55	Coupling protection	GR.COUPLGUARD ES42-230-16 A4		1.7 kg

Base plate			Remarks			
49	Name	BASEFRAME_NSC80-4_C00				
50	Weight	kg 100.1				

NSCF 150-400/220/L65VCC4

Performance curve

Company name
Contact
Phone number
e-mail address

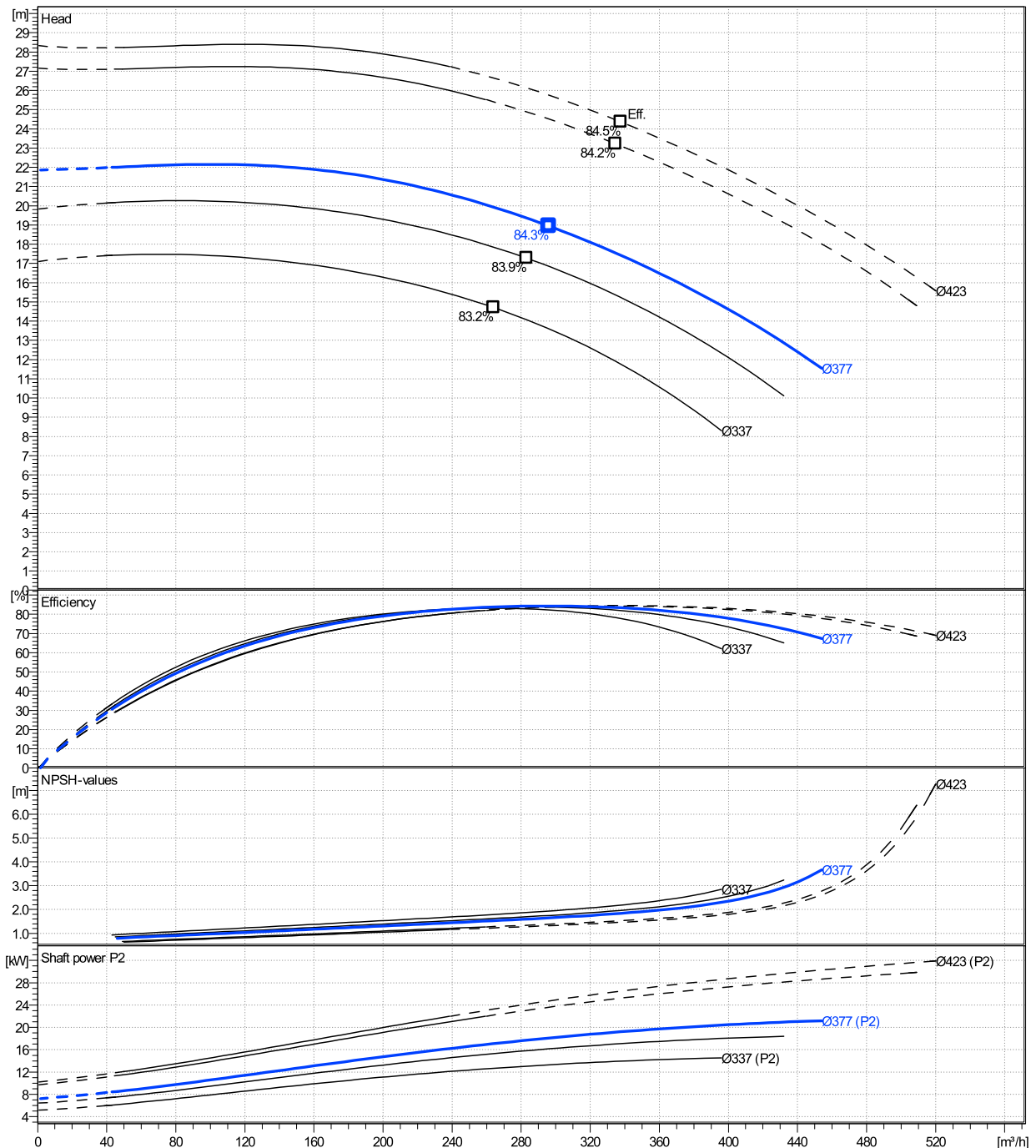
	Ø mm	Pump capacity η			Pump head η		Shaft power P2 η			Frequency	Hz
		Min. m³/h	Max. m³/h	Max. m³/h	H(Q=0) m	Max. m	P2(Q=0) kW	Max. kW	Max. kW	Operating speed	rpm
actual	377	46	454	296	21.9	18.9	21.2	18.1	Nominal flow	m³/h	0
Min.	0	/	/	264	17.1	14.7	/	12.7	Nominal head	m	0
Max.	423	/	/	338	28.3	24.4	/	26.5	Inlet pressure	kPa	0
									Static head	m	0

Power datas referred to:

hydr. Performance acceptance acc. To EN ISO 9906 Class Grade 3B

Water, pure [100%] ; 4°C; 1000kg/m³; 1.57mm²/s

MEI: >=0,70 - according to Ecodesign Directive 2009/125/EC and Regulation (EU) No.547/2012



NSCF 150-400/220/L65VCC4

Dimensions

Company name
Contact
Phone number
e-mail address

Frame mounted
Standard coupling
3MAS 200 L B3 22 kW

Electrical and dimensional data refer to IE3 motor

Dimensions [mm]

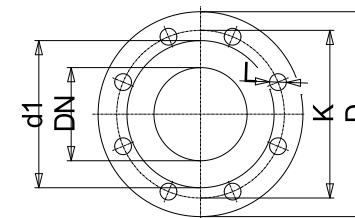
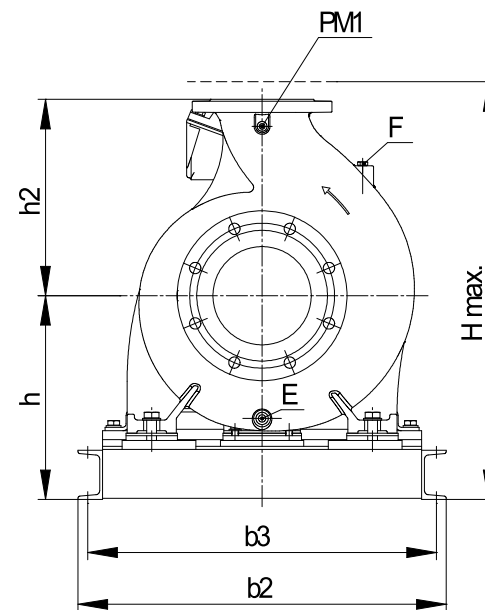
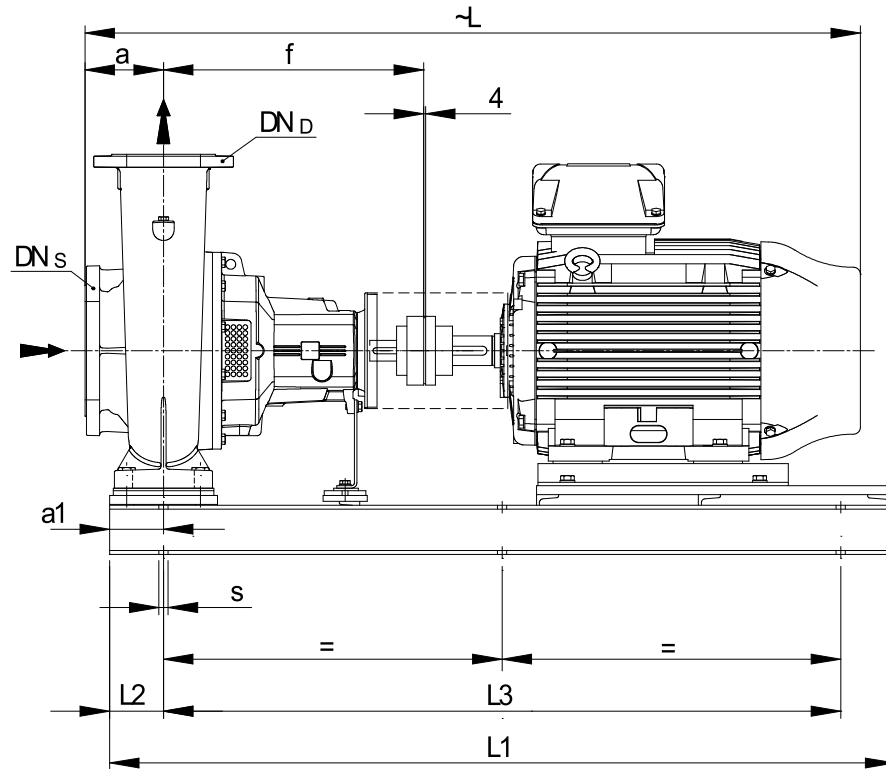
a	160
a1	110
b2	670
b3	630
CTO	0
DNd	150
DNs	200
E	3/8"
F	3/8"
f	530
Guard	224
h	420
h2	450
Hmax	870
L	1475
L1	1430
L2	110
L3	1210
PM1	1/4"
s	6xØ19
Trim	0
Volumen	0.85978

Weight

Total weight	519 kg
--------------	--------

Connections

Suction nozzle		Discharge nozzle	
DN200		DN150	
PN16		PN10/16	
EN1092-2		EN1092-2	
C	30	C	26
D	345	D	285
d1	266	d1	211
K	295	K	240
L	23	L	23
z	12	z	8



Value C, D may vary from Standard

Dimensions and weight without obligation

Project	Xylect-20100489	Created by		Last update	12/14/2024
Block	NSCF 150-400/1100/L45VCC4 E4	Created on	12/14/2024		