

NSCF 150-500/1100/L45VDC4 E4

Technical data

Company name
Contact
Phone number
e-mail address

Operating data					
1	Pumpe type	Single head pump	Fluid	Water, pure	
2	No. of pumps	1	Operating temperature t A	°C	4
3	Nominal flow	m ³ /h 0	Max / Min Operating Temperature mech. Seal	°C	120 / -25
4	Nominal head	m 0	pH-value at t A		7
5	Static head	m 0	Density at t A	kg/m ³	1000
6	Inlet pressure	kPa 0	Kin. viscosity at t A	mm ² /s	1.569
7	Environmental temperature	°C 20	Vapor pressure at t A	kPa	100
8	Available system NPSH	m 0	Altitude		0

Pump data					
9	Lubrication	Advanced, Grease lubrication [Std]			
10	Execution	Standard coupling			
11	Design	Horizontal			
12	Operating speed	1490 rpm	Stages	1	
13	Suction nozzle	DN200 /	PN16 /	EN1092-2	
14	Discharge nozzle	DN150 /	PN10/16 /	EN1092-2	
15	Max. casing pressure	kPa		Impeller Ø	Max. mm 516
16	Max. working pressure	kPa	671.6		designed mm 443
17	Impeller type	Radial impeller			Min. mm 420
18	Head H(Q=0)	m	68	Flow	Nominal m ³ /h
19	Max. shaft power	kW	109.1		Max- m ³ /h 629
20	Pump weight	kg	408		Min- m ³ /h 84
21	Total weight	kg	1,613.0	Head	Nominal m
					at Qmax m 34.5
				Shaft power	at Qmin m 68.6
				Efficiency	%
				NPSH 3%	m

Materials					
22		Pump		Shaft Seal	
23	Volute Casing	Ductile Iron, EN-GJS-400-15, ASTM A536 40-60-18		Single mechanical seal, without shaft sleeve	
24	Impeller	Cast Iron, EN 1561 - GJL-200, ASTM Class 30		eMG12 - Ø70mm	BQ7EGG-WA
25	Casing Cover	Ductile Iron, EN-GJS-400-15, ASTM A536 40-60-18		Mechanical seal diameter	70 mm
26	Shaft	Stainless steel, 1.4057, AISI 431		1. Rotating ring	Carbon graphite resin impregnated
27	Wear ring	Stainless steel, 1.4301, AISI 304		2. Stationary ring	SiC, silicon carbide, sintered press.less
28	Impeller lock nut and washer	A4 (1.4401)		3. Secondary seal	Ethylene propylene rubber (EPDM)
29	Impeller key	Stainless steel, 1.4571, AISI 316Ti		4. Springs	CrNiMo - Steel
30	Fill and drain plugs	Galvanized carbon steel, EN 10277-3, AISI 1213 / 1215		5. Others	EPDM - WRAS
31	Bearing bracket	Cast Iron, EN 1561 - GJL-250, ASTM Class 35		Gaskets of the pump	Ethylene propylene rubber (EPDM)
32					
33					
34					
35					
36					
37					
38					
39					
40					
41					

Motor data				Coupling			
42	Manufacturer	Lowara		Manufacturer	Flender		
43	Specific design	IE4 3ph Surface Motor - Super Premium Efficiency		Series	Standard Coupling - N-EUPEX - Type B		
44	Type	3MGS 315 S B3 110 kW E4		Shaft diameter	Pump 60 mm	Motor 80 mm	
45	Rated power	110 kW	Rated current 193 A	Frame size	200		
46	Nominal speed	1490 rpm	Rated voltage 400 V	Spacer length	mm	4	
47	Frame size	315 S	Service factor 1	Weight	kg	16.0	
48	Weight	kg 949.0	Degree of protection IP55	Coupling protection	GR.COUPLGUARD ES60-310-23 A4		3.5 kg

Base plate			Remarks		
49	Name	FRAME 60NSC80A-400-315			
50	Weight	kg	236.5		

NSCF 150-500/1100/L45VDC4 E4

Performance curve

Company name
Contact
Phone number
e-mail address

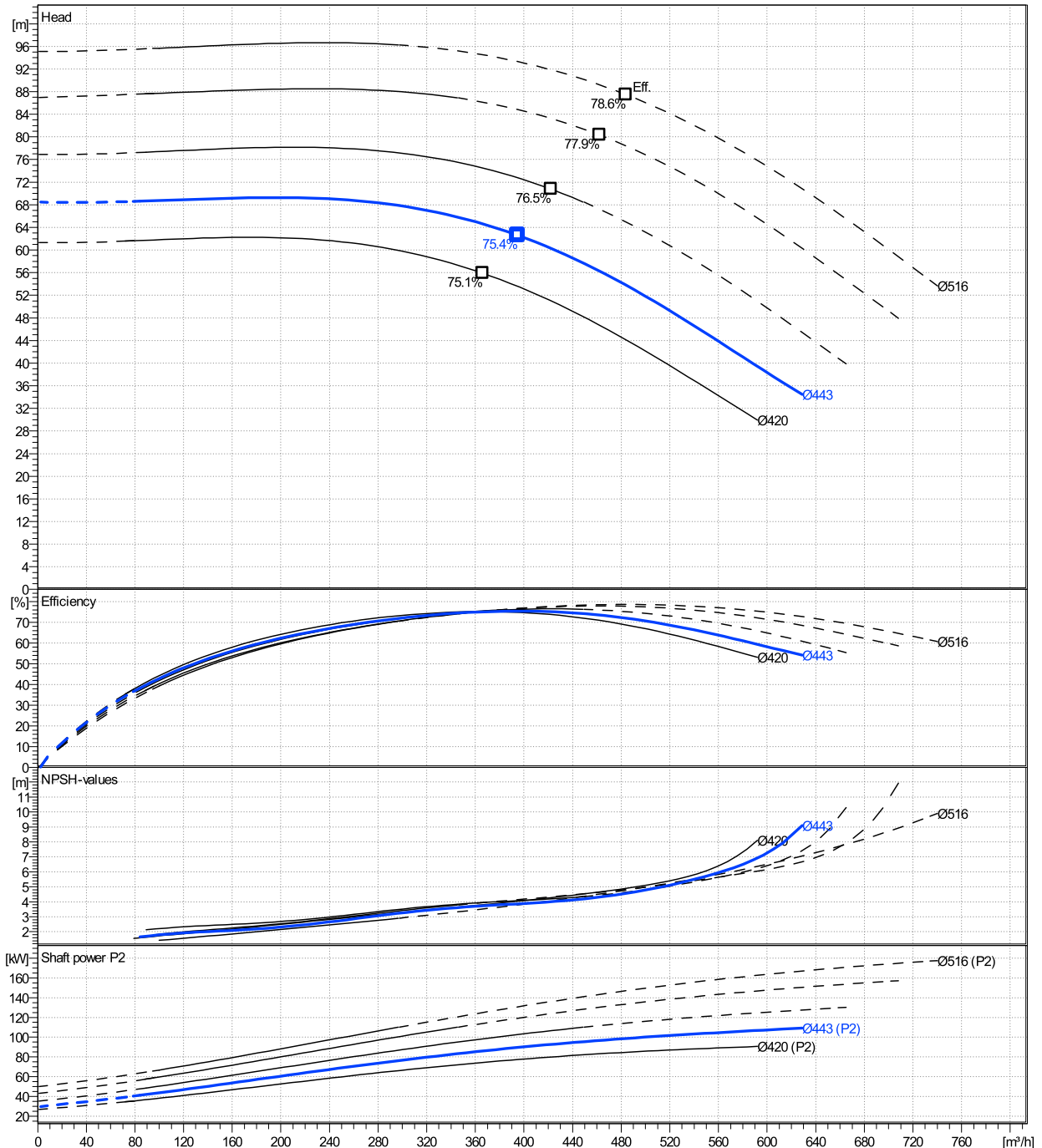
	Ø mm	Pump capacity Operating range η			Pump head η		Shaft power P2 η			Frequency Hz	
		Min. m³/h	Max. m³/h	Max. m³/h	H(Q=0) m	Max. m	P2(Q=0) kW	Max. kW	Max. kW	Operating speed rpm	
actual	443	84	629	395	68.5	62.6	109	89.5		1490	
Min.	0	/	/	366	61.3	55.9	/	74.4			0
Max.	516	/	/	484	95.1	87.5	/	147			0
										Nominal flow	m³/h
										Nominal head	m
										Inlet pressure	kPa
										Static head	m

Power datas referred to:

hydr. Performance acceptance acc. To EN ISO 9906 Class Grade 3B

Water, pure [100%] ; 4°C; 1000kg/m³; 1.57mm²/s

MEI: N.A - according to Ecodesign Directive 2009/125/EC and Regulation (EU) No.547/2012



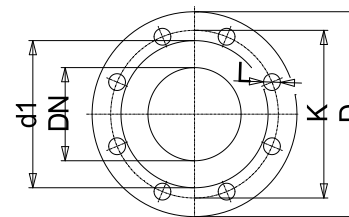
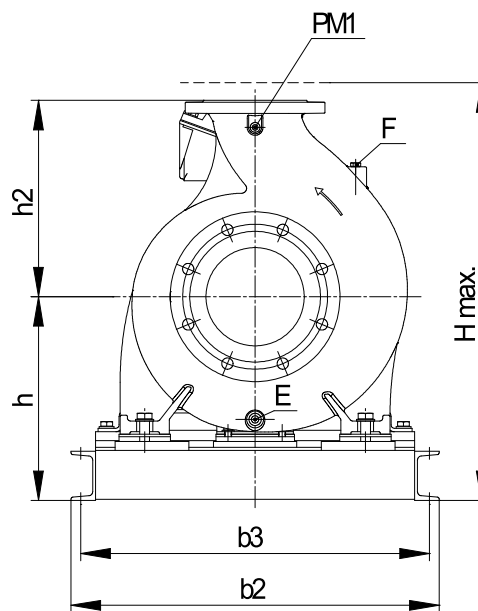
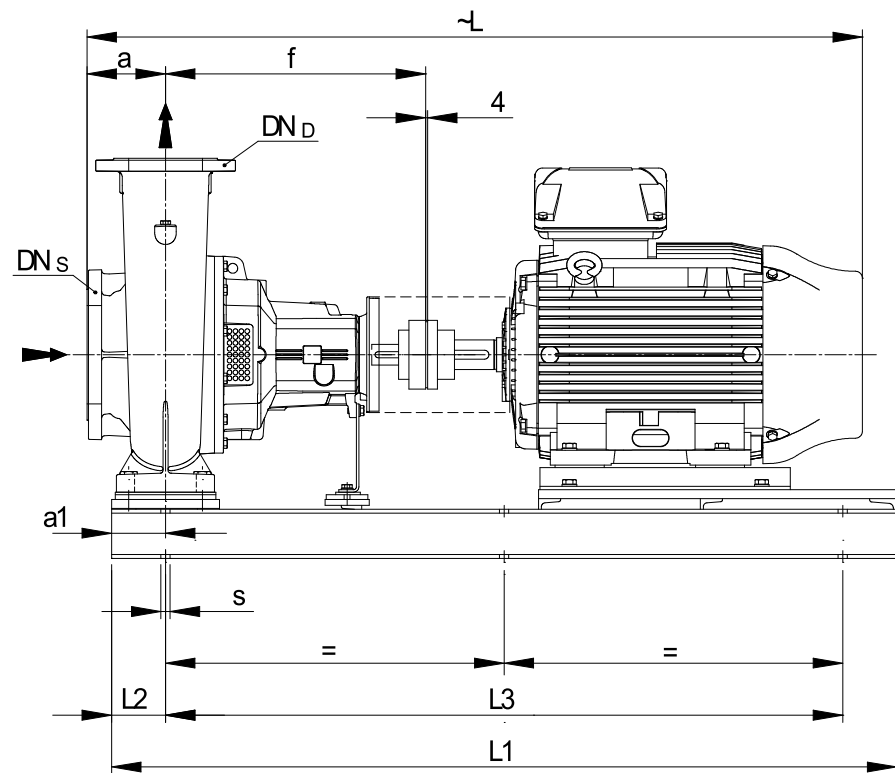
NSCF 150-500/1100/L45VDC4 E4

Dimensions

Company name
Contact
Phone number
e-mail address

Frame mounted
Standard coupling
3MGS 315 S B3 110 kW E4

Electrical and dimensional data refer to IE4 motor



Value C, D may vary from Standard

Dimensions		[mm]	
a	180		
a1	165		
b2	860		
b3	810		
CTO	0		
DNd	150		
DNs	200		
E	3/8"		
F	3/8"		
f	770		
Guard	314		
h	585		
h2	500		
Hmax	1142		
L	2109.5		
L1	2000		
L2	165		
L3	1670		
PM1	1/4"		
s	6xØ26		
Trim	0		
Volumen	2.0718		

Weight	
Total weight	1613 kg

Connections			
Suction nozzle		Discharge nozzle	
DN200		DN150	
PN16		PN10/16	
EN1092-2		EN1092-2	
C	30	C	26
D	345	D	285
d1	266	d1	211
K	295	K	240
L	23	L	23
z	12	z	8

Dimensions and weight without obligation

Project	Xylect-20100489	Created by		Last update	12/14/2024
Block	NSCF 150-500/2000/L45VDC4 E4	Created on	12/14/2024		