

NSCF 150-500/1600/L45VDC4 E4

Technical data

Company name
Contact
Phone number
e-mail address

Operating data			
1	Pumpe type	Single head pump	Fluid Water, pure
2	No. of pumps	1	Operating temperature t A °C 4
3	Nominal flow	m ³ /h 0	Max / Min Operating Temperature mech. Seal °C 120 / -25
4	Nominal head	m 0	pH-value at t A 7
5	Static head	m 0	Density at t A kg/m ³ 1000
6	Inlet pressure	kPa 0	Kin. viscosity at t A mm ² /s 1.569
7	Environmental temperature	°C 20	Vapor pressure at t A kPa 100
8	Available system NPSH	m 0	Altitude 0

Pump data			
9	Lubrication	Advanced, Grease lubrication [Std]	
10	Execution	Standard coupling	
11	Design	Horizontal	
12	Operating speed	1490 rpm	Stages 1
13	Suction nozzle	DN200 / PN16	EN1092-2
14	Discharge nozzle	DN150 / PN10/16	EN1092-2
15	Max. casing pressure	kPa	Impeller Ø Max. mm 516 designed mm 495 Min. mm 420 Nominal m ³ /h Max- m ³ /h 708 Min- m ³ /h 95.4 Flow
16	Max. working pressure	kPa 853.1	
17	Impeller type	Radial impeller	
18	Head H(Q=0)	m 87	Head at Qmax m 47.9 at Qmin m 87.7
19	Max. shaft power	kW 157.2	Shaft power kW
20	Pump weight	kg 408	Efficiency %
21	Total weight	kg 1,732.3	NPSH 3% m

Materials			
22		Pump	Shaft Seal
23	Volute Casing	Ductile Iron, EN-GJS-400-15, ASTM A536 40-60-18	Single mechanical seal, without shaft sleeve
24	Impeller	Cast Iron, EN 1561 - GJL-200, ASTM Class 30	eMG12 - Ø70mm BQ7EGG-WA
25	Casing Cover	Ductile Iron, EN-GJS-400-15, ASTM A536 40-60-18	Mechanical seal diameter 70 mm
26	Shaft	Stainless steel, 1.4057, AISI 431	1. Rotating ring Carbon graphite resin impregnated
27	Wear ring	Stainless steel, 1.4301, AISI 304	2. Stationary ring SiC, silicon carbide, sintered press. less
28	Impeller lock nut and washer	A4 (1.4401)	3. Secondary seal Ethylene propylene rubber (EPDM)
29	Impeller key	Stainless steel, 1.4571, AISI 316Ti	4. Springs CrNiMo - Steel
30	Fill and drain plugs	Galvanized carbon steel, EN 10277-3, AISI 1213 / 1215	5. Others EPDM - WRAS
31	Bearing bracket	Cast Iron, EN 1561 - GJL-250, ASTM Class 35	Gaskets of the pump Ethylene propylene rubber (EPDM)
32			
33			
34			
35			
36			
37			
38			
39			
40			
41			

Motor data				Coupling			
42	Manufacturer	Lowara		Manufacturer	Flender		
43	Specific design	IE4 3ph Surface Motor - Super Premium Efficiency		Series	Standard Coupling - N-EUPEX - Type B		
44	Type	3MGS 315 M B3 160 kW E4		Shaft diameter	Pump 60 mm	Motor 80 mm	
45	Rated power	160 kW	Rated current 280 A	Frame size	200		
46	Nominal speed	1490 rpm	Rated voltage 400 V	Spacer length	mm 4		
47	Frame size	315 M	Service factor 1	Weight	kg 16.0		
48	Weight	kg 1,068.3	Degree of protection IP55	Coupling protection	GR.COUPLGUARD ES60-310-23 A4		3.5 kg

Base plate		Remarks	
49	Name	FRAME 60NSC80A-400-315	
50	Weight	kg 236.5	

NSCF 150-500/1600/L45VDC4 E4

Performance curve

Company name
Contact
Phone number
e-mail address

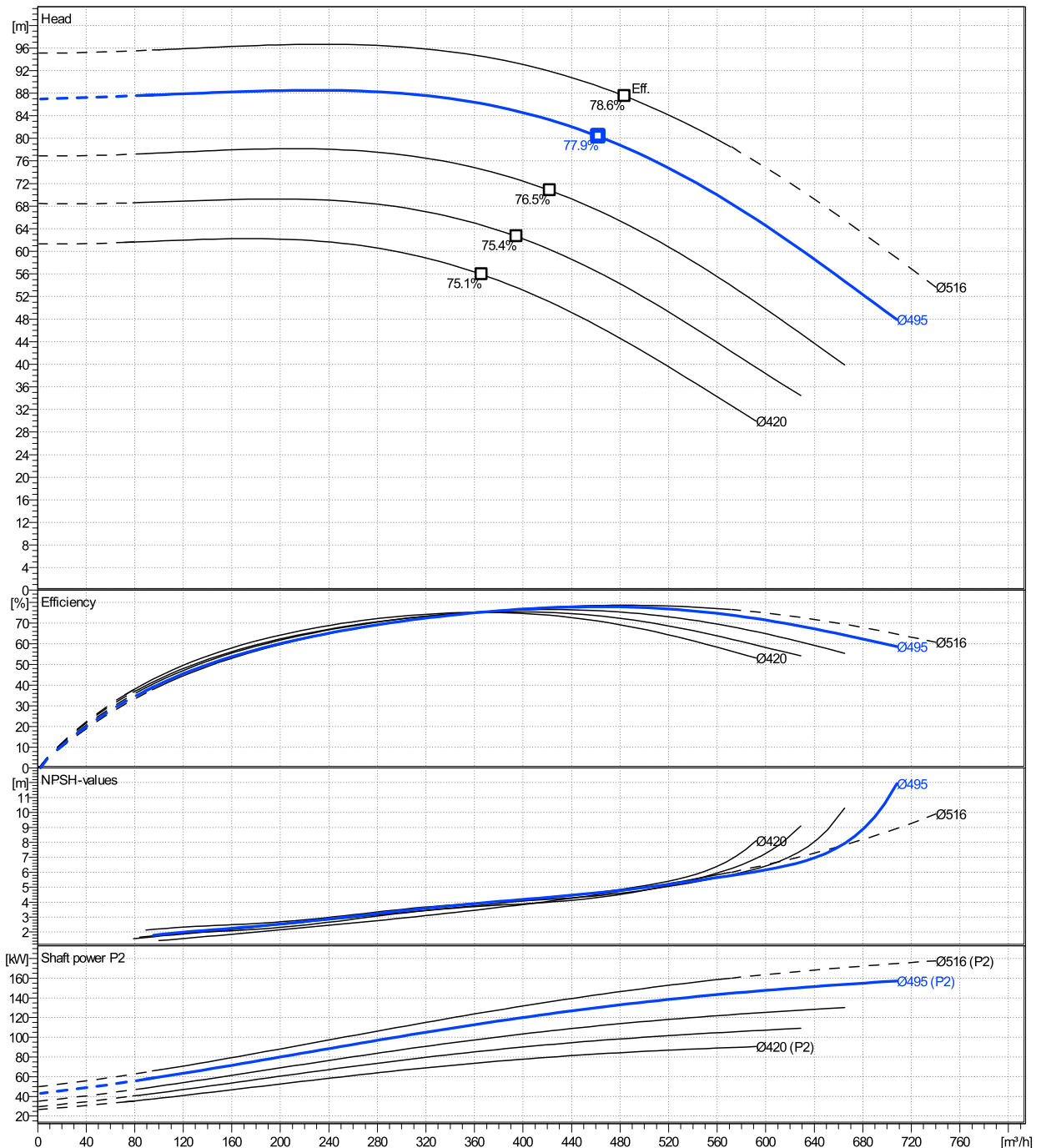
	Ø mm	Pump capacity			Pump head		Shaft power P2			Frequency		Hz	50
		Operating range Min. m³/h	Max. m³/h	η Max. m³/h	H(Q=0) m	η Max. m	P2(Q=0) kW	Max. kW	η Max. kW	Operating speed rpm	1490		
actual	495	95.4	708	462	87	80.3		157	130	Nominal flow	m³/h	0	
Min.	0	/	/	366	61.3	55.9		/	74.4	Nominal head	m	0	
Max.	516	/	/	484	95.1	87.5		/	147	Inlet pressure	kPa	0	
										Static head	m	0	

Power datas referred to:

hydr. Performance acceptance acc. To EN ISO 9906 Class Grade 3B

Water, pure [100%] ; 4°C; 1000kg/m³; 1.57mm²/s

MEI: N.A - according to Ecodesign Directive 2009/125/EC and Regulation (EU) No.547/2012



NSCF 150-500/1600/L45VDC4 E4

Dimensions

Company name
Contact
Phone number
e-mail address

Frame mounted
Standard coupling
3MGS 315 M B3 160 kW E4

Electrical and dimensional data refer to IE4 motor

Dimensions [mm]

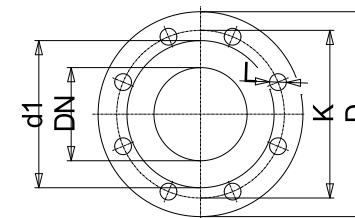
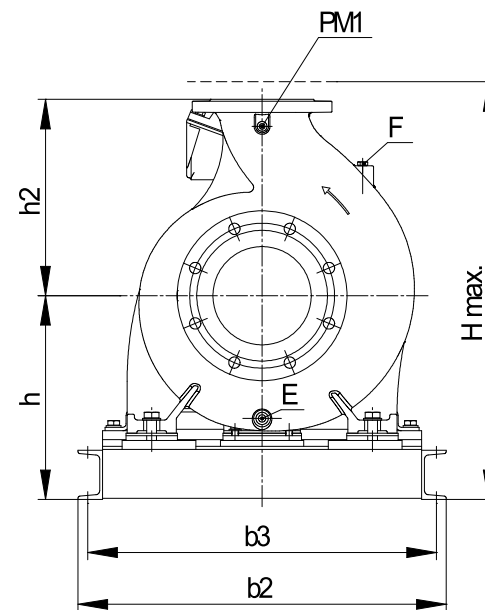
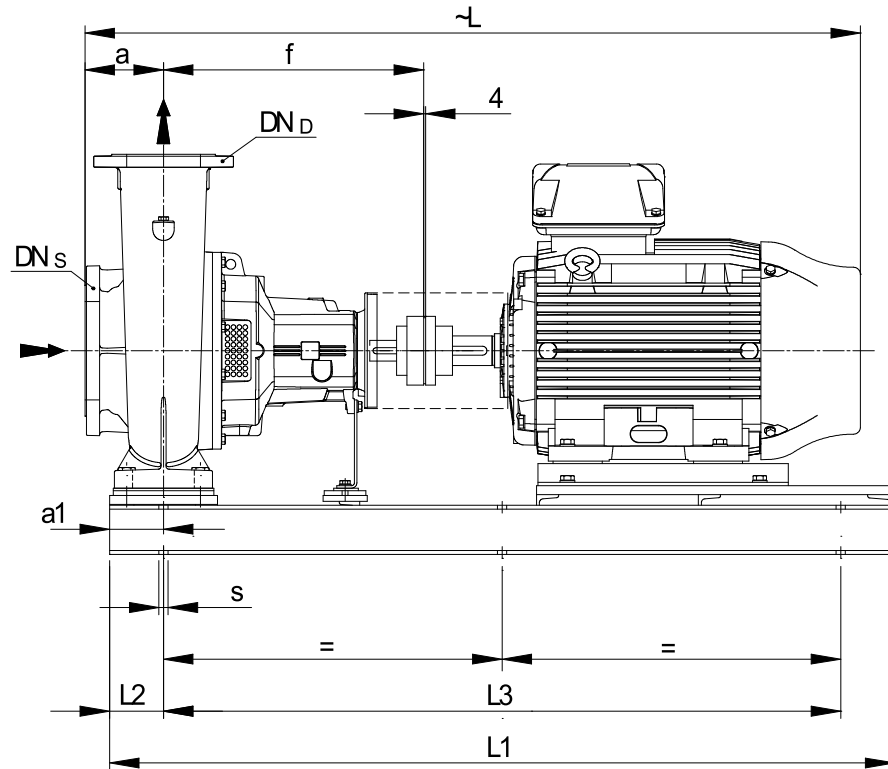
a	180
a1	165
b2	860
b3	810
CTO	0
DNd	150
DNs	200
E	3/8"
F	3/8"
f	770
Guard	314
h	585
h2	500
Hmax	1110
L	2109.5
L1	2000
L2	165
L3	1670
PM1	1/4"
s	6xØ26
Trim	0
Volumen	2.0137

Weight

Total weight	1732.3 kg
--------------	-----------

Connections

Suction nozzle		Discharge nozzle	
DN200		DN150	
PN16		PN10/16	
EN1092-2		EN1092-2	
C	30	C	26
D	345	D	285
d1	266	d1	211
K	295	K	240
L	23	L	23
z	12	z	8



Value C, D may vary from Standard

Dimensions and weight without obligation

Project Xylect-20100489
Block NSCF 150-500/2000/L45VDC4 E4

Created by
Created on 12/14/2024

Last update 12/14/2024