

# NSCF 150-500/750/L65VDC4 E4

## Technical data

Company name  
Contact  
Phone number  
e-mail address

Operating data				
1	Pumpe type	Single head pump	Fluid	Water, pure
2	No. of pumps	1	Operating temperature t A	°C 4
3	Nominal flow	m³/h 0	Max / Min Operating Temperature mech. Seal	°C 120 / -25
4	Nominal head	m 0	pH-value at t A	7
5	Static head	m 0	Density at t A	kg/m³ 1000
6	Inlet pressure	kPa 0	Kin. viscosity at t A	mm²/s 1.569
7	Environmental temperature	°C 20	Vapor pressure at t A	kPa 100
8	Available system NPSH	m 0	Altitude	0

Pump data				
9	Lubrication	Advanced, Grease lubrication [Std]		
10	Execution	Standard coupling		
11	Design	Horizontal		
12	Operating speed	990 rpm	Stages	1
13	Suction nozzle	DN200 / PN16	/ EN1092-2	
14	Discharge nozzle	DN150 / PN10/16	/ EN1092-2	
15	Max. casing pressure	kPa	Impeller Ø	Max. mm 516
16	Max. working pressure	kPa 409.7		designed mm 516
17	Impeller type	Radial impeller		
18	Head H(Q=0)	m 42	Flow	Min. mm 435
19	Max. shaft power	kW 52.3		Nominal m³/h
20	Pump weight	kg 408	Head	Max- m³/h 500
21	Total weight	kg 1,494.5		Min- m³/h 100
			Shaft power	Nominal m
				at Qmax m 22.5
			Efficiency	at Qmin m 42.5
			NPSH 3%	

Materials				
22		<b>Pump</b>	<b>Shaft Seal</b>	
23	Volute Casing	Ductile Iron, EN-GJS-400-15, ASTM A536 40-60-18		Single mechanical seal, without shaft sleeve
24	Impeller	Cast Iron, EN 1561 - GJL-200, ASTM Class 30		eMG12 - Ø70mm BQ7EGG-WA
25	Casing Cover	Ductile Iron, EN-GJS-400-15, ASTM A536 40-60-18		Mechanical seal diameter 70 mm
26	Shaft	Stainless steel, 1.4057, AISI 431		1. Rotating ring Carbon graphite resin impregnated
27	Wear ring	Stainless steel, 1.4301, AISI 304		2. Stationary ring SiC, silicon carbide, sintered press. less
28	Impeller lock nut and washer	A4 (1.4401)		3. Secondary seal Ethylene propylene rubber (EPDM)
29	Impeller key	Stainless steel, 1.4571, AISI 316Ti		4. Springs CrNiMo - Steel
30	Fill and drain plugs	Galvanized carbon steel, EN 10277-3, AISI 1213 / 1215		5. Others EPDM - WRAS
31	Bearing bracket	Cast Iron, EN 1561 - GJL-250, ASTM Class 35		Gaskets of the pump Ethylene propylene rubber (EPDM)
32				
33				
34				
35				
36				
37				
38				
39				
40				
41				

Motor data				Coupling			
42	Manufacturer	Lowara		Manufacturer	Flender		
43	Specific design	IE4 3ph Surface Motor - Super Premium Efficiency		Series	Standard Coupling - N-EUPEX - Type B		
44	Type	3MGS 315 S B3 75 kW E4		Shaft diameter	Pump 60 mm	Motor 80 mm	
45	Rated power	75 kW	Rated current 135 A	Frame size	200		
46	Nominal speed	990 rpm	Rated voltage 400 V	Spacer length	mm 4		
47	Frame size	315 S		Weight	kg 16.0		
48	Weight	kg 830.5	Degree of protection IP55	Coupling protection	GR.COUPLEGUARD ES60-310-23 A4		3.5 kg

Base plate			Remarks		
49	Name	FRAME 60NSC80A-400-315			
50	Weight	kg 236.5			

Project	Xylect-20100489	Created by		Last update	12/14/2024
Block	NSCF 150-500/2000/L45VDC4 E4	Created on	12/14/2024		

# NSCF 150-500/750/L65VDC4 E4

## Performance curve

Company name  
Contact  
Phone number  
e-mail address

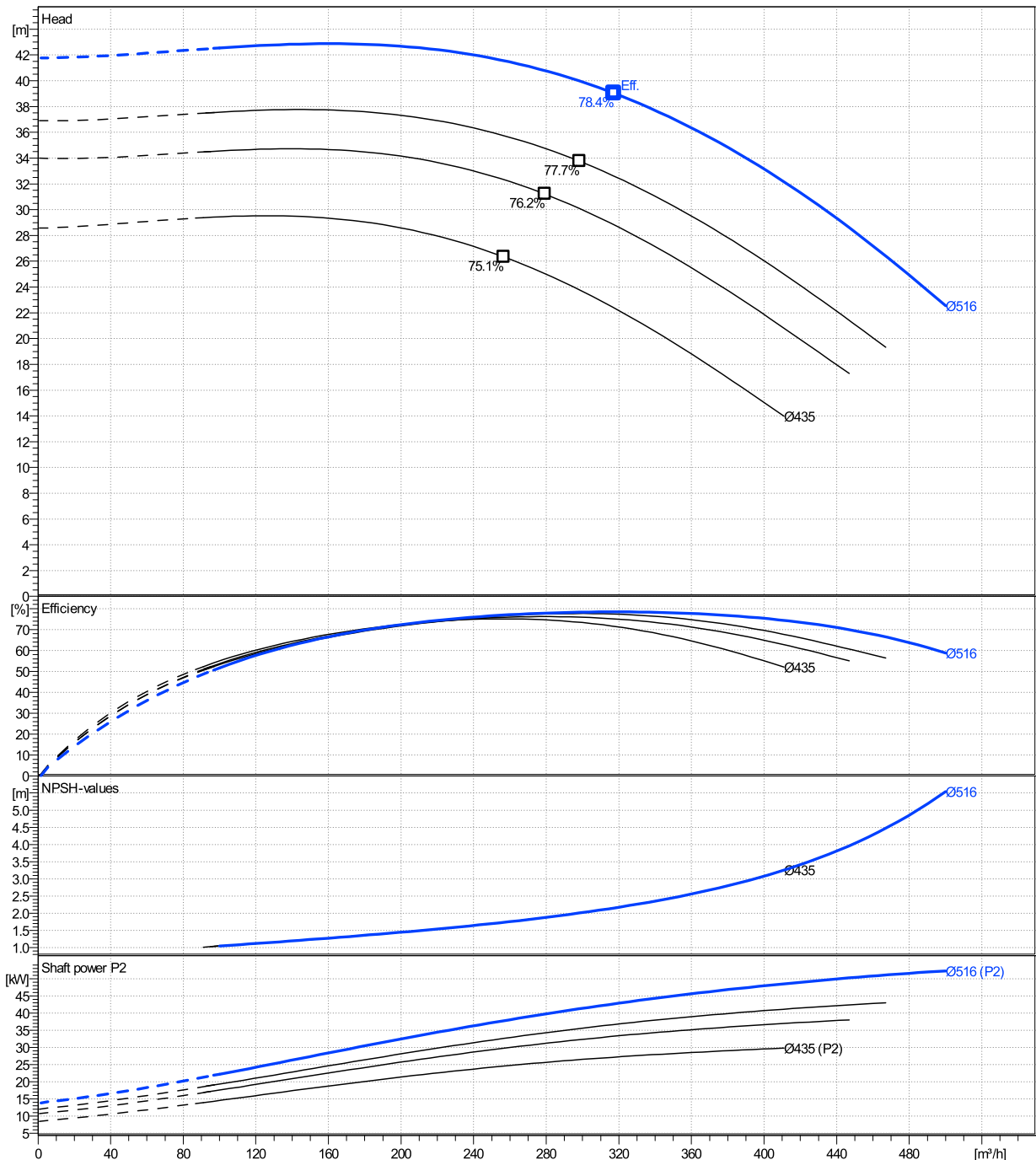
	Ø mm	Pump capacity			Pump head		Shaft power P2			Frequency	Hz	50
		Operating range Min. m³/h	Max. m³/h	η Max. m³/h	H(Q=0) m	η Max. m	P2(Q=0) kW	Max. kW	η Max. kW	Operating speed	rpm	990
actual	516	100	500	317	41.8	39	52.3	42.7		Nominal flow	m³/h	0
Min.	0	/	/	257	28.6	26.3	/	24.6		Nominal head	m	0
Max.	516	/	/	317	41.8	39	/	42.7		Inlet pressure	kPa	0
										Static head	m	0

**Power datas referred to:**

hydr. Performance acceptance acc. To EN ISO 9906 Class Grade 3B

Water, pure [100%] ; 4°C; 1000kg/m³; 1.57mm²/s

MEI: N.A - according to Ecodesign Directive 2009/125/EC and Regulation (EU) No.547/2012



# NSCF 150-500/750/L65VDC4 E4

## Dimensions

Company name  
Contact  
Phone number  
e-mail address

Frame mounted  
Standard coupling  
3MGS 315 S B3 75 kW E4

Electrical and dimensional data refer to IE4 motor

### Dimensions [ mm ]

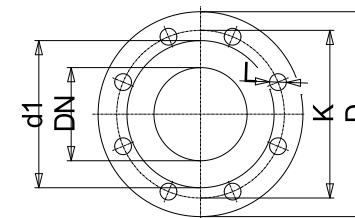
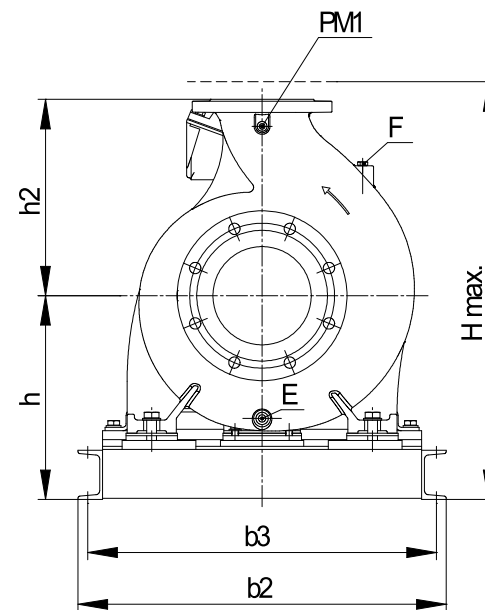
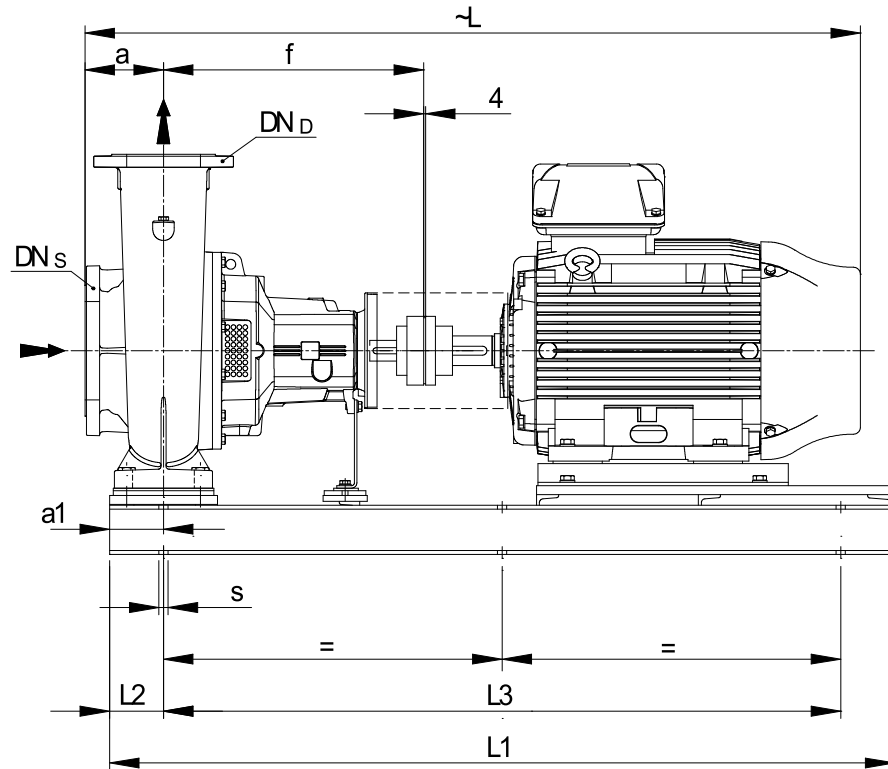
a	180
a1	165
b2	860
b3	810
CTO	0
DNd	150
DNs	200
E	3/8"
F	3/8"
f	770
Guard	314
h	585
h2	500
Hmax	1142
L	2109.5
L1	2000
L2	165
L3	1670
PM1	1/4"
s	6xØ26
Trim	0
Volumen	2.0718

### Weight

<b>Total weight</b>	<b>1494.5 kg</b>
---------------------	------------------

### Connections

Suction nozzle		Discharge nozzle	
DN200		DN150	
PN16		PN10/16	
EN1092-2		EN1092-2	
C	30	C	26
D	345	D	285
d1	266	d1	211
K	295	K	240
L	23	L	23
z	12	z	8



Value C, D may vary from Standard

### Dimensions and weight without obligation

Project	Xylect-20100489
Block	NSCF 150-500/2000/L45VDC4 E4

Created by	
Created on	12/14/2024

Last update	12/14/2024
-------------	------------