

NSCF 200-250/110/L65VDC4

Technical data

Company name
Contact
Phone number
e-mail address

Operating data						
1	Pumpe type	Single head pump		Fluid	Water, pure	
2	No. of pumps	1		Operating temperature t A	°C	4
3	Nominal flow	m ³ /h	0	Max / Min Operating Temperature mech. Seal	°C	120 / -25
4	Nominal head	m	0	pH-value at t A		7
5	Static head	m	0	Density at t A	kg/m ³	1000
6	Inlet pressure	kPa	0	Kin. viscosity at t A	mm ² /s	1.569
7	Environmental temperature	°C	20	Vapor pressure at t A	kPa	100
8	Available system NPSH	m	0	Altitude		0

Pump data						
9	Lubrication	Standard, Grease lubrication [Std]				
10	Execution	Standard coupling				
11	Design	Horizontal				Impeller Ø
12	Operating speed	975 rpm	Stages	1		Max. mm 271
13	Suction nozzle	DN250 / PN16 / EN1092-2				designed mm 271
14	Discharge nozzle	DN200 / PN16 / EN1092-2				Min. mm 234
15	Max. casing pressure	kPa				Nominal m ³ /h
16	Max. working pressure	kPa	99.7			Max- m ³ /h 570
17	Impeller type	Radial impeller				Min- m ³ /h 80
18	Head H(Q=0)	m	10			Nominal m
19	Max. shaft power	kW	8.5			at Qmax m 3
20	Pump weight	kg	230			at Qmin m 9.8
21	Total weight	kg	444.4			Shaft power kW
						Efficiency %
						NPSH 3% m

Materials						
22		Pump			Shaft Seal	
23	Volute Casing	Ductile Iron, EN-GJS-400-15, ASTM A536 40-60-18			Single mechanical seal, without shaft sleeve	
24	Impeller	Cast Iron, EN 1561 - GJL-200, ASTM Class 30			eMG12 - Ø48mm	BQ7EGG-WA
25	Casing Cover	Ductile Iron, EN-GJS-400-15, ASTM A536 40-60-18			Mechanical seal diameter	48 mm
26	Shaft	Stainless steel, 1.4057, AISI 431			1. Rotating ring	Carbon graphite resin impregnated
27	Wear ring	Stainless steel, 1.4301, AISI 304			2. Stationary ring	SiC, silicon carbide, sintered press. less
28	Impeller lock nut and washer	A4 (1.4401)			3. Secondary seal	Ethylene propylene rubber (EPDM)
29	Impeller key	Stainless steel, 1.4571, AISI 316Ti			4. Springs	CrNiMo - Steel
30	Fill and drain plugs	Galvanized carbon steel, EN 10277-3, AISI 1213 / 1215			5. Others	EPDM - WRAS
31	Bearing bracket	Cast Iron, EN 1561 - GJL-250, ASTM Class 35			Gaskets of the pump	Ethylene propylene rubber (EPDM)
32						
33						
34						
35						
36						
37						
38						
39						
40						
41						

Motor data				Electrical and dimensional data refer to IE3 motor				Coupling			
42	Manufacturer	Lowara				Manufacturer	Flender				
43	Specific design	IE3 3ph Surface Motor - Premium Efficiency				Series	Standard Coupling - N-EUPEX - Type B				
44	Type	3MAS 160 L B3 11 kW				Shaft diameter	Pump 42 mm	Motor 42 mm			
45	Rated power	11 kW	Rated current	23 A		Frame size	110				
46	Nominal speed	975 rpm	Rated voltage	400 V		Spacer length	mm	4			
47	Frame size	160 L	Service factor	1		Weight	kg	3.3			
48	Weight	kg	92.4	Degree of protection	IP55	Coupling protection	GR.COUPLGUARD ES42-230-16 A4	1.7 kg			

Base plate				Remarks					
49	Name	BASEFRAME_NSC80-5_C00							
50	Weight	kg	117.0						

Project	Xylect-20100489	Created by		Last update	12/14/2024
Block	NSCF 200-250/300/L45VDC4	Created on	12/14/2024		

NSCF 200-250/110/L65VDC4

Performance curve

Company name
Contact
Phone number
e-mail address

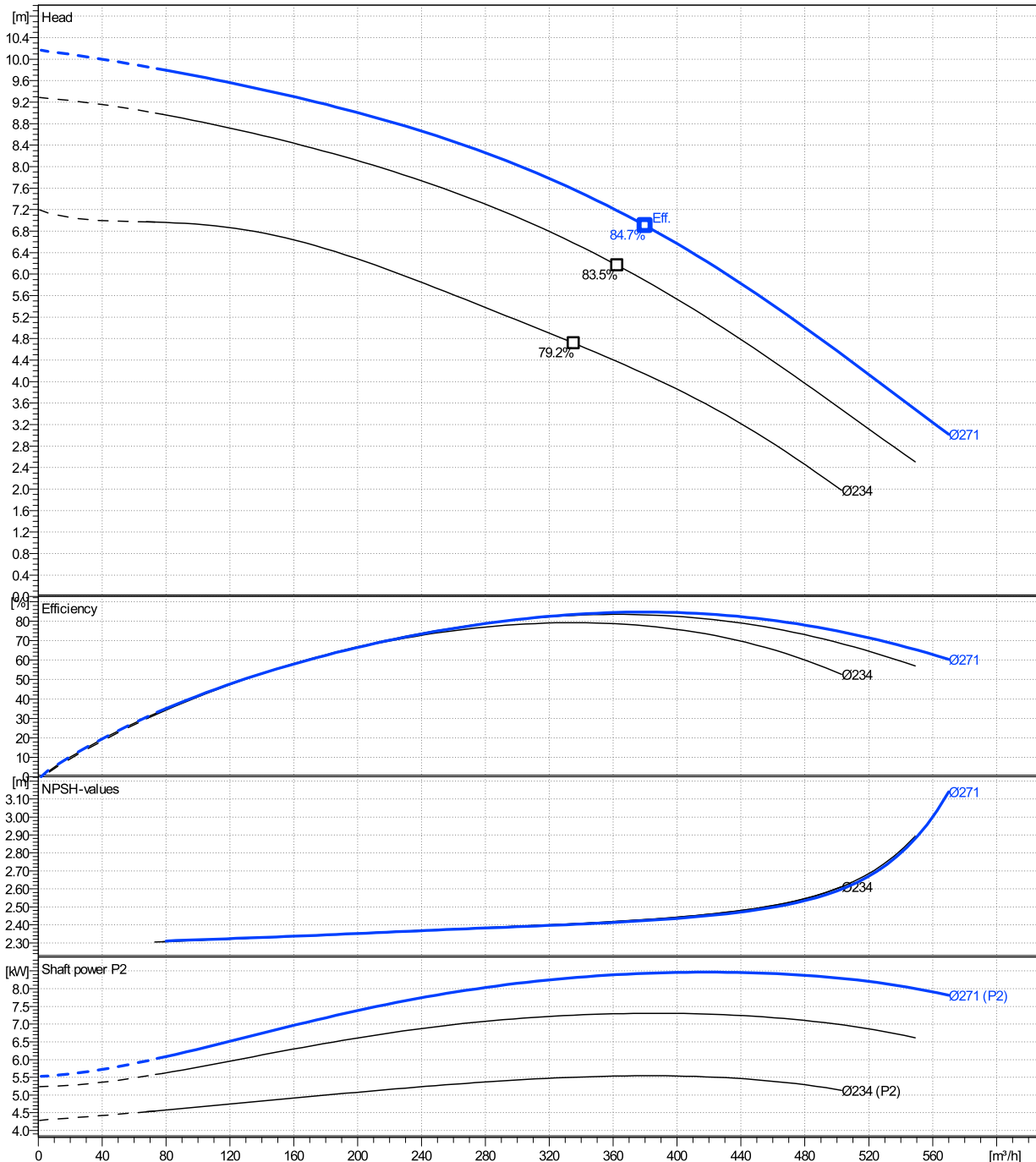
	Ø mm	Pump capacity η			Pump head η		Shaft power P2 η			Frequency	Hz
		Operating range Min. m³/h	Max. m³/h	Max. m³/h	H(Q=0) m	Max. m	P2(Q=0) kW	Max. kW	Max. kW	Operating speed	rpm
actual	271	80	570	380	10.2	6.9	8.47	8.43	975	0	
Min.	0	/	/	336	7.2	4.71	/	5.5	Nominal flow	m³/h	
Max.	271	/	/	380	10.2	6.9	/	8.43	Nominal head	m	
									Inlet pressure	kPa	
									Static head	m	

Power datas referred to:

hydr. Performance acceptance acc. To EN ISO 9906 Class Grade 2B

Water, pure [100%] ; 4°C; 1000kg/m³; 1.57mm²/s

MEI: 0,65 - according to Ecodesign Directive 2009/125/EC and Regulation (EU) No.547/2012



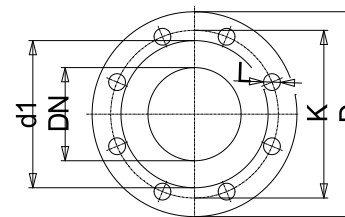
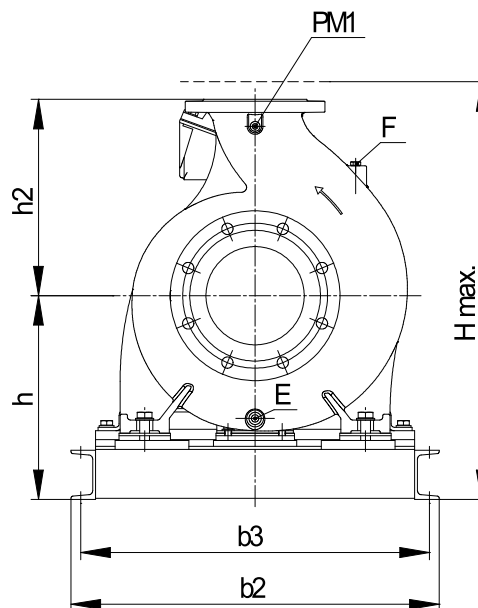
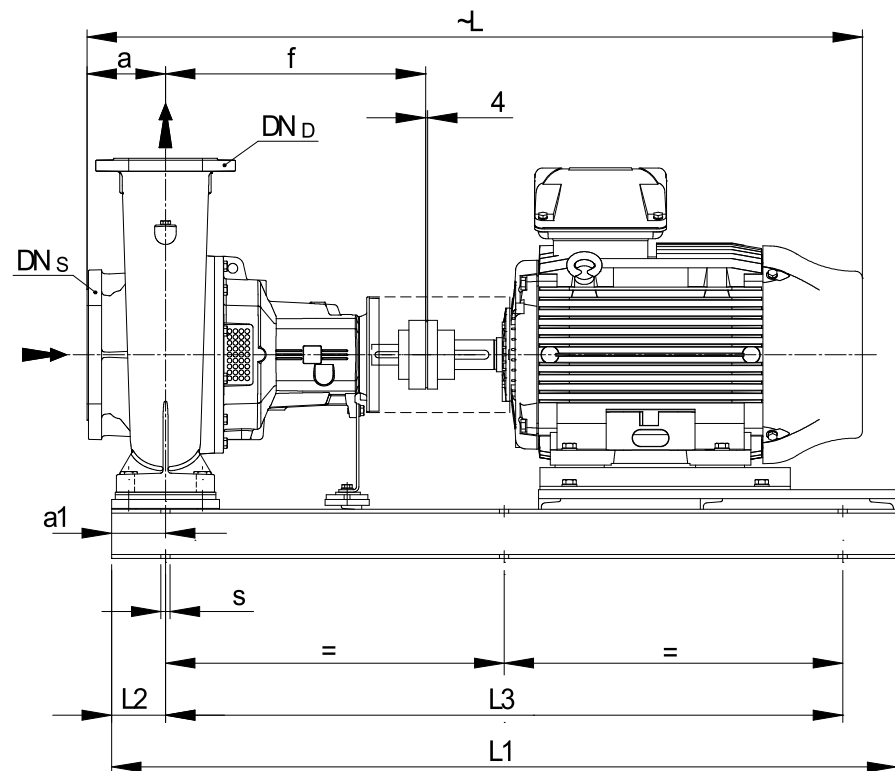
NSCF 200-250/110/L65VDC4

Dimensions

Company name
Contact
Phone number
e-mail address

Frame mounted
Standard coupling
3MAS 160 L B3 11 kW

Electrical and dimensional data refer to IE3 motor



Value C, D may vary from Standard

Dimensions		[mm]
a	180	
a1	110	
b2	670	
b3	630	
CTO	0	
DNd	200	
DNs	250	
E	1/2"	
F	-	
f	530	
Guard	224	
h	460	
h2	475	
Hmax	935	
L	1369	
L1	1450	
L2	110	
L3	1230	
PM1	1/2"	
s	6xØ19	
Trim	0	
Volumen	0.85761	

Weight	
Total weight	444.4 kg

Connections			
Suction nozzle		Discharge nozzle	
DN250		DN200	
PN16		PN16	
EN1092-2		EN1092-2	
C	32	C	30
D	405	D	345
d1	319	d1	266
K	355	K	295
L	28	L	23
z	12	z	12

Dimensions and weight without obligation

Project	Xylect-20100489	Created by		Last update	12/14/2024
Block	NSCF 200-250/300/L45VDC4	Created on	12/14/2024		