

NSCF 200-315/750/L45VDC4 E4

Technical data

Company name
Contact
Phone number
e-mail address

Operating data					
1	Pumpe type	Single head pump		Fluid	Water, pure
2	No. of pumps	1		Operating temperature t A	°C 4
3	Nominal flow	m ³ /h	0	Max / Min Operating Temperature mech. Seal	°C 120 / -25
4	Nominal head	m	0	pH-value at t A	7
5	Static head	m	0	Density at t A	kg/m ³ 1000
6	Inlet pressure	kPa	0	Kin. viscosity at t A	mm ² /s 1.569
7	Environmental temperature	°C	20	Vapor pressure at t A	kPa 100
8	Available system NPSH	m	0	Altitude	0

Pump data					
9	Lubrication	Standard, Grease lubrication [Std]			
10	Execution	Standard coupling			
11	Design	Horizontal			
12	Operating speed	1490 rpm	Stages	1	
13	Suction nozzle	DN250	/	PN16	/ EN1092-2
14	Discharge nozzle	DN200	/	PN16	/ EN1092-2
15	Max. casing pressure	kPa			
16	Max. working pressure	kPa	348.9		
17	Impeller type	Radial impeller			
18	Head H(Q=0)	m	36		
19	Max. shaft power	kW	58.1		
20	Pump weight	kg	234		
21	Total weight	kg	1,085.0		

		Impeller Ø		Flow		Head		Shaft power		Efficiency		NPSH 3%	
	Max.	mm	333										
	designed	mm	333										
	Min.	mm	268										
	Nominal	m ³ /h											
	Max-	m ³ /h	926.2										
	Min-	m ³ /h	151										
	Nominal	m											
	at Qmax	m	14.6										
	at Qmin	m	34.9										
		kW											
		%											
		m											

Materials								
22		Pump			Shaft Seal			
23	Volute Casing	Ductile Iron, EN-GJS-400-15, ASTM A536 40-60-18			Single mechanical seal, without shaft sleeve			
24	Impeller	Cast Iron, EN 1561 - GJL-200, ASTM Class 30			eMG12 - Ø48mm		BQ7EGG-WA	
25	Casing Cover	Ductile Iron, EN-GJS-400-15, ASTM A536 40-60-18			Mechanical seal diameter 48 mm			
26	Shaft	Stainless steel, 1.4057, AISI 431			1. Rotating ring		Carbon graphite resin impregnated	
27	Wear ring	Stainless steel, 1.4301, AISI 304			2. Stationary ring		SiC, silicon carbide, sintered press. less	
28	Impeller lock nut and washer	A4 (1.4401)			3. Secondary seal		Ethylene propylene rubber (EPDM)	
29	Impeller key	Stainless steel, 1.4571, AISI 316Ti			4. Springs		CrNiMo - Steel	
30	Fill and drain plugs	Galvanized carbon steel, EN 10277-3, AISI 1213 / 1215			5. Others		EPDM - WRAS	
31	Bearing bracket	Cast Iron, EN 1561 - GJL-250, ASTM Class 35			Gaskets of the pump			Ethylene propylene rubber (EPDM)
32								
33								
34								
35								
36								
37								
38								
39								
40								
41								

Motor data				Electrical and dimensional data refer to IE4 motor				Coupling				
42	Manufacturer	Lowara			Manufacturer		Flender		Series		Standard Coupling - N-EUPEX - Type B	
43	Specific design	IE4 3ph Surface Motor - Super Premium Efficiency			Shaft diameter		Pump 42 mm		Motor 75 mm			
44	Type	3MGS 280 S B3 75 kW E4			Frame size		180		Spacer length		mm 4	
45	Rated power	75 kW	Rated current	134 A	Weight		kg 11.5		Coupling protection		GR.COUPLGUARD ES42-230-23 A4 3.4 kg	
46	Nominal speed	1490 rpm	Rated voltage	400 V	Degree of protection		IP55					
47	Frame size	280 S	Service factor	1								
48	Weight	kg 701.8										

Base plate				Remarks					
49	Name	BASEFRAME_NSC80-8_C00							
50	Weight	kg	134.3						

NSCF 200-315/750/L45VDC4 E4

Performance curve

Company name
Contact
Phone number
e-mail address

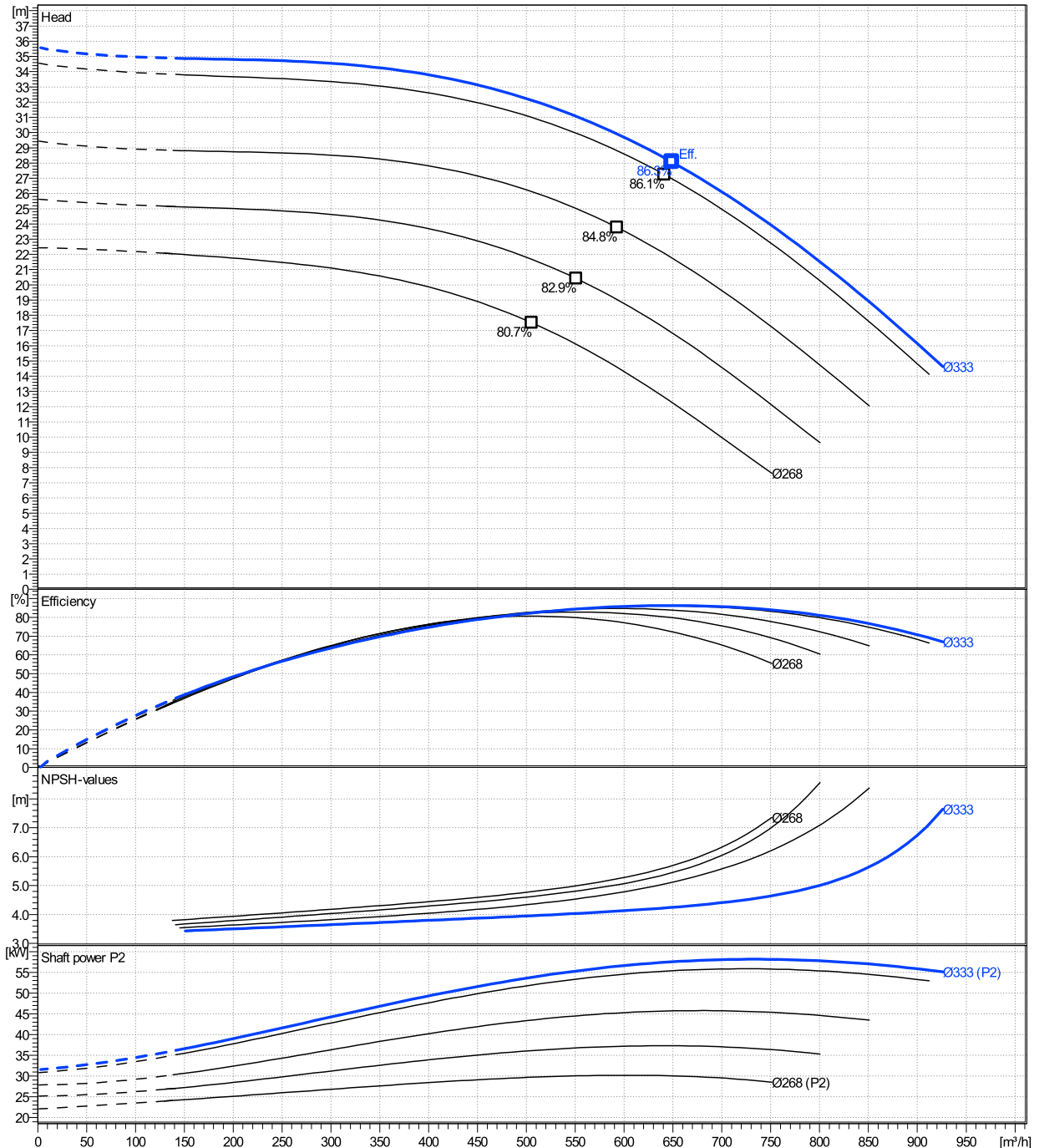
	Ø mm	Pump capacity			Pump head		Shaft power P2			Frequency	Hz	50
		Operating range Min. m³/h	Max. m³/h	η Max. m³/h	H(Q=0) m	η Max. m	P2(Q=0) kW	Max. kW	η Max. kW	Operating speed	rpm	1490
actual	333	151	926	649	35.6	28.1		58.1	57.5	Nominal flow	m³/h	0
Min.	0	/	/	506	22.4	17.5		/	29.7	Nominal head	m	0
Max.	333	/	/	649	35.6	28.1		/	57.5	Inlet pressure	kPa	0
										Static head	m	0

Power datas referred to:

hydr. Performance acceptance acc. To EN ISO 9906 Class Grade 2B

Water, pure [100%] ; 4°C; 1000kg/m³; 1.57mm²/s

MEI: 0,51 - according to Ecodesign Directive 2009/125/EC and Regulation (EU) No.547/2012



NSCF 200-315/750/L45VDC4 E4

Dimensions

Company name
Contact
Phone number
e-mail address

Frame mounted
Standard coupling
3MGS 280 S B3 75 kW E4

Electrical and dimensional data refer to IE4 motor

Dimensions [mm]

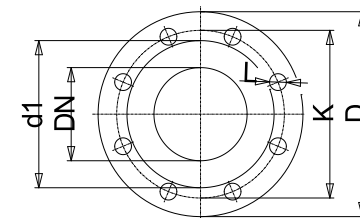
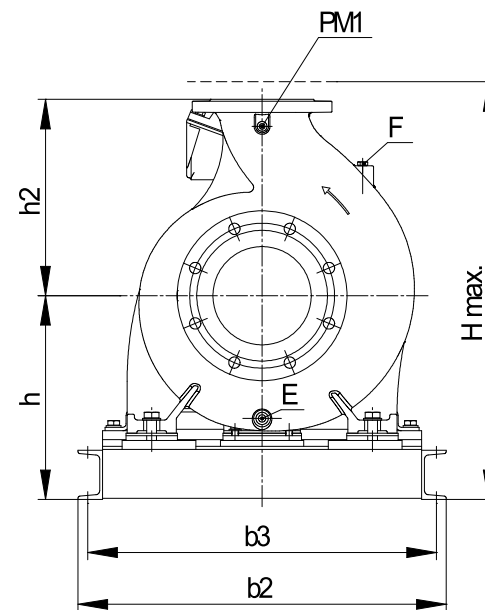
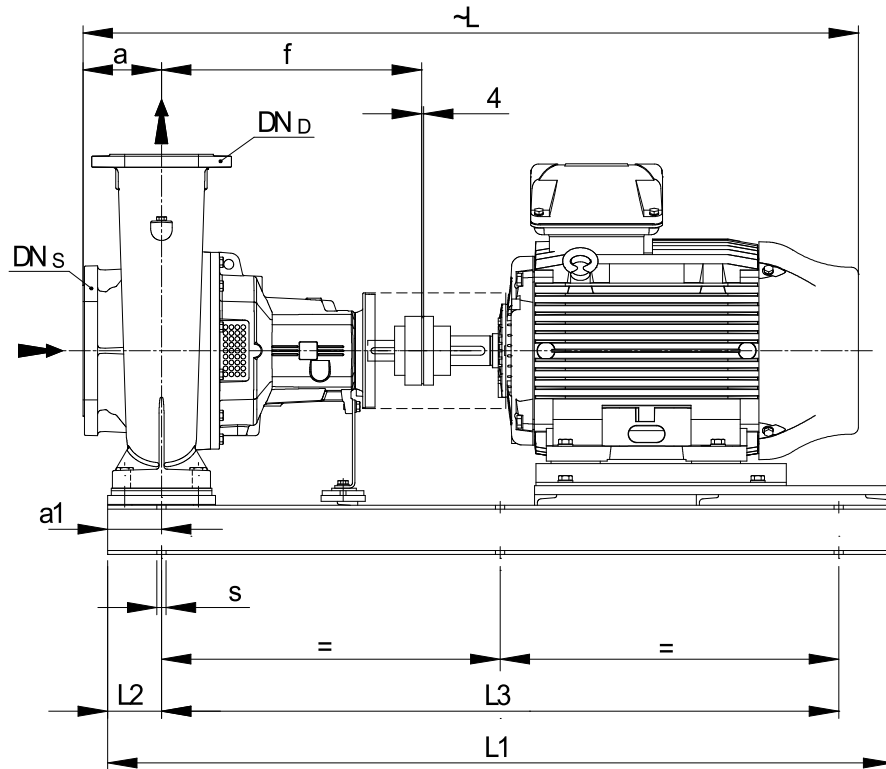
a	180
a1	110
b2	750
b3	710
CTO	0
DNd	200
DNs	250
E	1/2"
F	-
f	530
Guard	254
h	480
h2	450
Hmax	930
L	1725.5
L1	1660
L2	110
L3	1440
PM1	1/2"
s	6xØ19
Trim	0
Volumen	1.2035

Weight

Total weight	1085 kg
---------------------	----------------

Connections

Suction nozzle		Discharge nozzle	
DN250		DN200	
PN16		PN16	
EN1092-2		EN1092-2	
C	32	C	30
D	405	D	345
d1	319	d1	266
K	355	K	295
L	28	L	23
z	12	z	12



Value C, D may vary from Standard

Dimensions and weight without obligation

Project Xylect-20101285
Block NSCF 200-315/750/L45VDC4 E4

Created by
Created on 12/15/2024

Last update 12/15/2024