

NSCF 200-400/1100/L45VDC4 E4

Technical data

Company name
Contact
Phone number
e-mail address

Operating data			
1	Pumpe type	Single head pump	Fluid Water, pure
2	No. of pumps	1	Operating temperature t A °C 4
3	Nominal flow	m ³ /h 0	Max / Min Operating Temperature mech. Seal °C 120 / -25
4	Nominal head	m 0	pH-value at t A 7
5	Static head	m 0	Density at t A kg/m ³ 1000
6	Inlet pressure	kPa 0	Kin. viscosity at t A mm ² /s 1.569
7	Environmental temperature	°C 20	Vapor pressure at t A kPa 100
8	Available system NPSH	m 0	Altitude 0

Pump data			
9	Lubrication	Advanced, Grease lubrication [Std]	
10	Execution	Standard coupling	
11	Design	Horizontal	
12	Operating speed	1490 rpm	Stages 1
13	Suction nozzle	DN250 / PN16	EN1092-2
14	Discharge nozzle	DN200 / PN16	EN1092-2
15	Max. casing pressure	kPa	
16	Max. working pressure	kPa 514.5	
17	Impeller type	Radial impeller	
18	Head H(Q=0)	m 52	
19	Max. shaft power	kW 107.5	
20	Pump weight	kg 363	
21	Total weight	kg 1,568.0	

Materials			
22		Pump	Shaft Seal
23	Volute Casing	Ductile Iron, EN-GJS-400-15, ASTM A536 40-60-18	Single mechanical seal, without shaft sleeve
24	Impeller	Cast Iron, EN 1561 - GJL-200, ASTM Class 30	eMG12 - Ø70mm BQ7EGG-WA
25	Casing Cover	Ductile Iron, EN-GJS-400-15, ASTM A536 40-60-18	Mechanical seal diameter 70 mm
26	Shaft	Stainless steel, 1.4057, AISI 431	1. Rotating ring Carbon graphite resin impregnated
27	Wear ring	Stainless steel, 1.4301, AISI 304	2. Stationary ring SiC, silicon carbide, sintered press. less
28	Impeller lock nut and washer	A4 (1.4401)	3. Secondary seal Ethylene propylene rubber (EPDM)
29	Impeller key	Stainless steel, 1.4571, AISI 316Ti	4. Springs CrNiMo - Steel
30	Fill and drain plugs	Galvanized carbon steel, EN 10277-3, AISI 1213 / 1215	5. Others EPDM - WRAS
31	Bearing bracket	Cast Iron, EN 1561 - GJL-250, ASTM Class 35	Gaskets of the pump Ethylene propylene rubber (EPDM)
32			
33			
34			
35			
36			
37			
38			
39			
40			
41			

Motor data				Coupling			
42	Manufacturer	Lowara		Manufacturer	Flender		
43	Specific design	IE4 3ph Surface Motor - Super Premium Efficiency		Series	Standard Coupling - N-EUPEX - Type B		
44	Type	3MGS 315 S B3 110 kW E4		Shaft diameter	Pump 60 mm	Motor 80 mm	
45	Rated power	110 kW	Rated current 193 A	Frame size	200		
46	Nominal speed	1490 rpm	Rated voltage 400 V	Spacer length	mm 4		
47	Frame size	315 S	Service factor 1	Weight	kg 16.0		
48	Weight	kg 949.0	Degree of protection IP55	Coupling protection	GR.COUPLEGUARD ES60-310-23 A4		3.5 kg

Base plate		Remarks
49	Name	FRAME 60NSCF80A-400-315
50	Weight	kg 236.5

NSCF 200-400/1100/L45VDC4 E4

Performance curve

Company name
Contact
Phone number
e-mail address

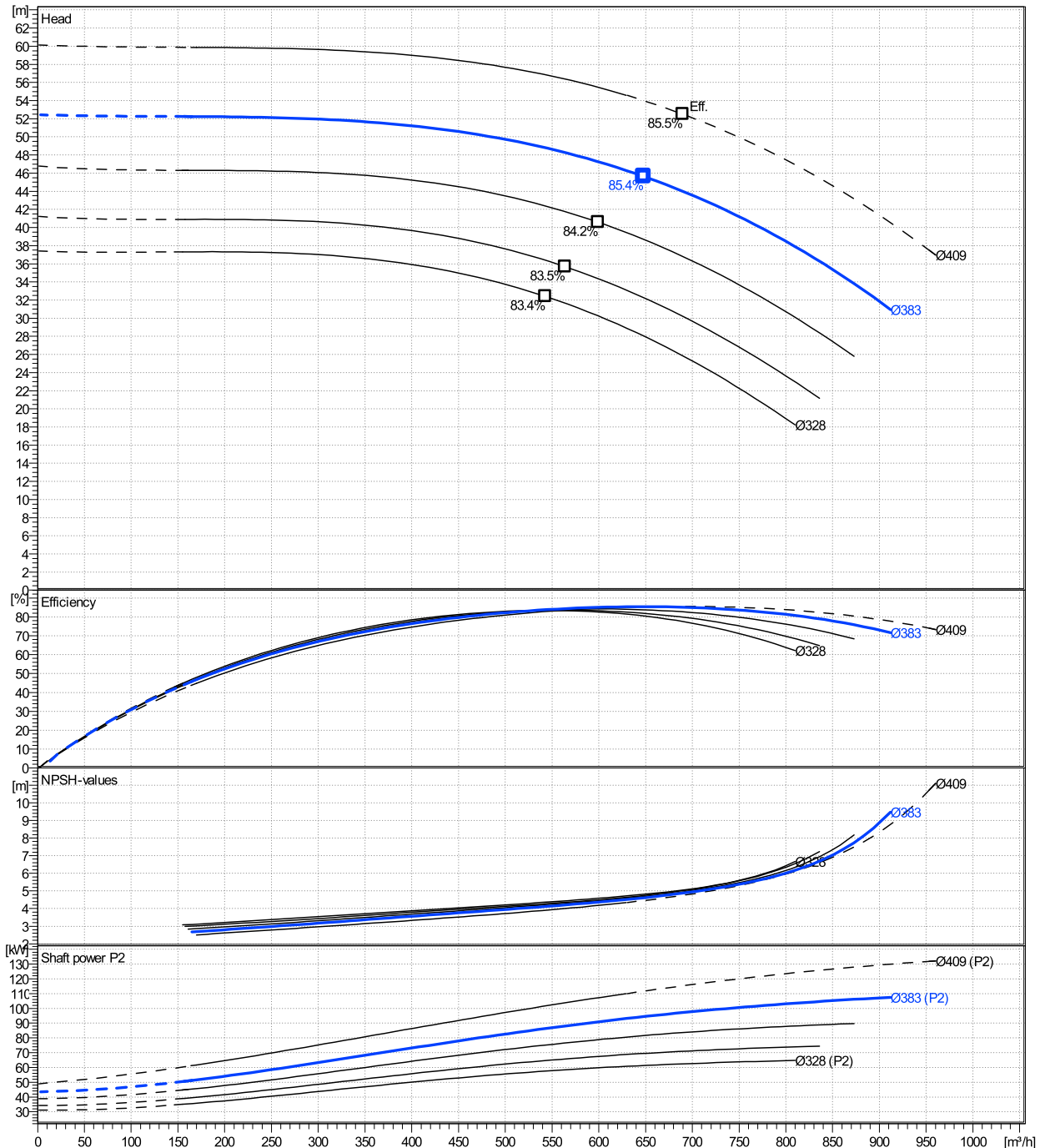
	Ø mm	Pump capacity			Pump head		Shaft power P2			Frequency	Hz
		Operating range Min. m³/h	Max. m³/h	η Max. m³/h	H(Q=0) m	η Max. m	P2(Q=0) kW	Max. kW	η Max. kW	Operating speed	rpm
actual	383	165	912	648	52.4	45.6	108	94.4	50	1490	
Min.	0	/	/	543	37.4	32.4	/	57.5	Nominal flow	m³/h	0
Max.	409	/	/	690	60.1	52.5	/	115	Nominal head	m	0
									Inlet pressure	kPa	0
									Static head	m	0

Power datas referred to:

hydr. Performance acceptance acc. To EN ISO 9906 Class Grade 2B

Water, pure [100%] ; 4°C; 1000kg/m³; 1.57mm²/s

MEI: 0,51 - according to Ecodesign Directive 2009/125/EC and Regulation (EU) No.547/2012



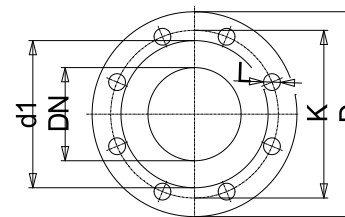
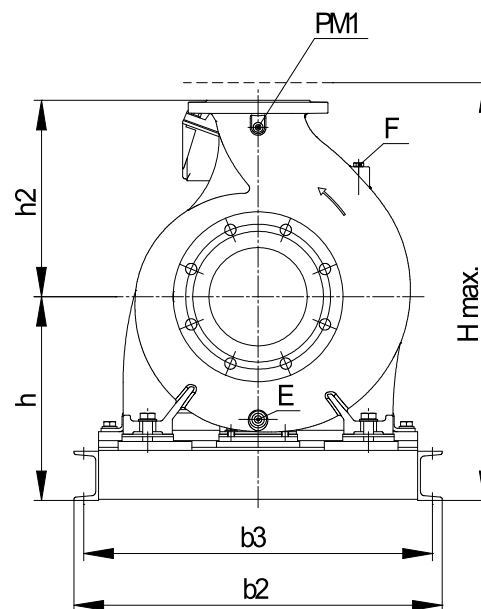
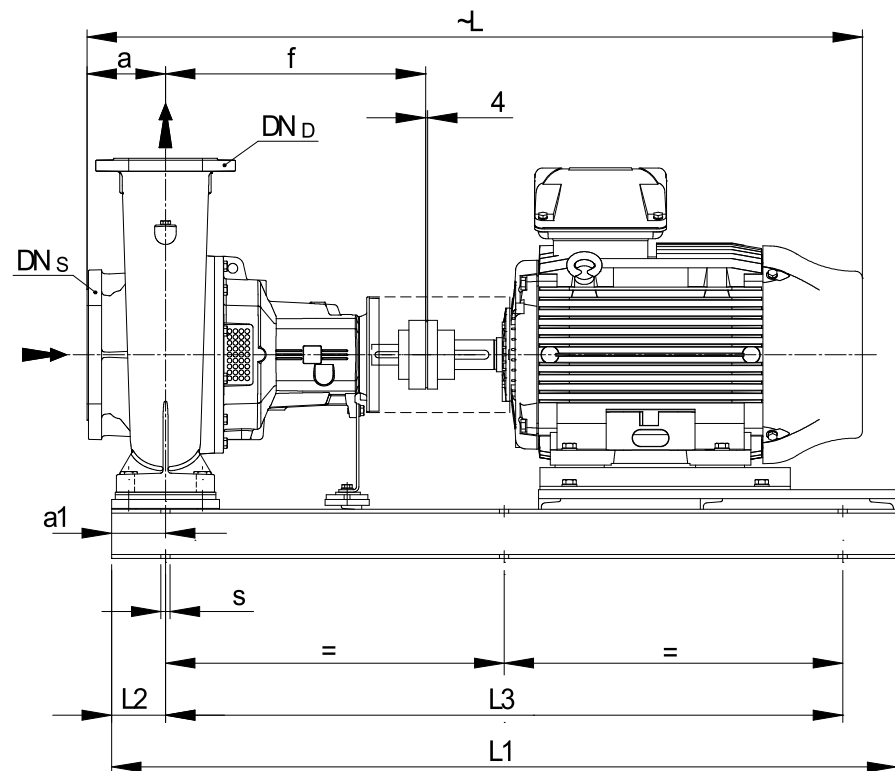
NSCF 200-400/1100/L45VDC4 E4

Dimensions

Company name
Contact
Phone number
e-mail address

Frame mounted
Standard coupling
3MGS 315 S B3 110 kW E4

Electrical and dimensional data refer to IE4 motor



Value C, D may vary from Standard

Dimensions		[mm]	
a	180		
a1	165		
b2	860		
b3	810		
CTO	0		
DNd	200		
DNs	250		
E	1/2"		
F	-		
f	770		
Guard	314		
h	585		
h2	500		
Hmax	1142		
L	2109.5		
L1	2000		
L2	165		
L3	1670		
PM1	1/2"		
s	6xØ26		
Trim	0		
Volumen	2.0718		

Weight	
Total weight	1568 kg

Connections			
Suction nozzle		Discharge nozzle	
DN250		DN200	
PN16		PN16	
EN1092-2		EN1092-2	
C	32	C	30
D	405	D	345
d1	319	d1	266
K	355	K	295
L	28	L	23
z	12	z	12

Dimensions and weight without obligation

Project	Xylect-20100394	Created by		Last update	12/14/2024
Block	NSCF 200-400/1600/L45VDC4 E4	Created on	12/14/2024		