

NSCF 200-400/550/L65VDC4

Performance curve

Company name
Contact
Phone number
e-mail address

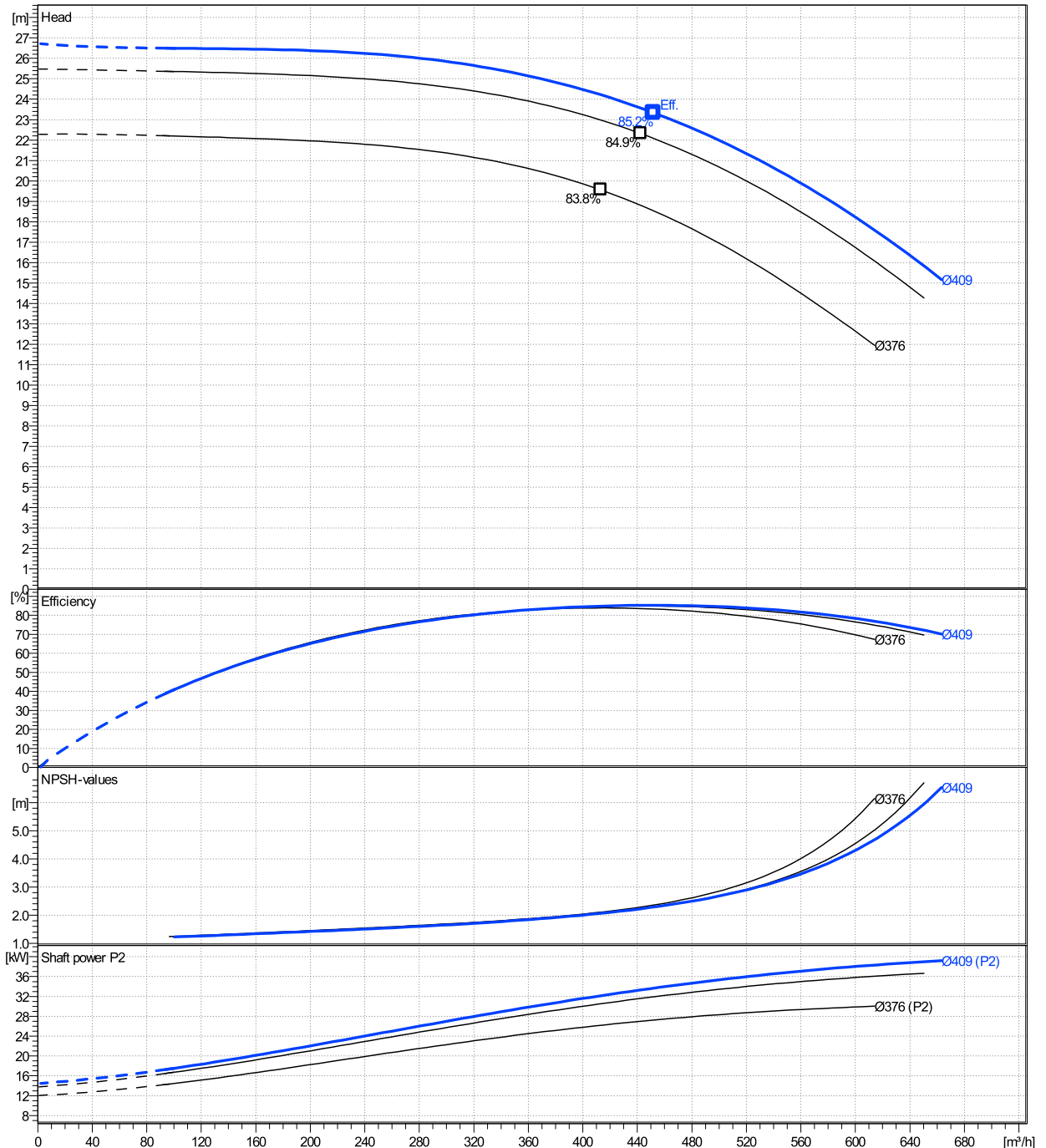
	Ø mm	Pump capacity			Pump head		Shaft power P2			Frequency	Hz	50
		Operating range Min. m³/h	Max. m³/h	η Max. m³/h	H(Q=0) m	η Max. m	P2(Q=0) kW	Max. kW	η Max. kW	Operating speed	rpm	990
actual	409	101	663	452	26.7	23.3		39.2	33.7	Nominal flow	m³/h	0
Min.	0	/	/	413	22.3	19.6		/	26.2	Nominal head	m	0
Max.	409	/	/	452	26.7	23.3		/	33.7	Inlet pressure	kPa	0
										Static head	m	0

Power datas referred to:

hydr. Performance acceptance acc. To EN ISO 9906 Class Grade 2B

Water, pure [100%] ; 4°C; 1000kg/m³; 1.57mm²/s

MEI: 0,50 - according to Ecodesign Directive 2009/125/EC and Regulation (EU) No.547/2012



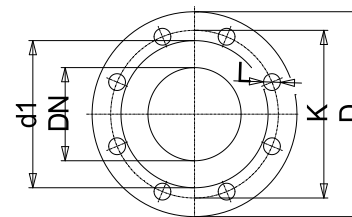
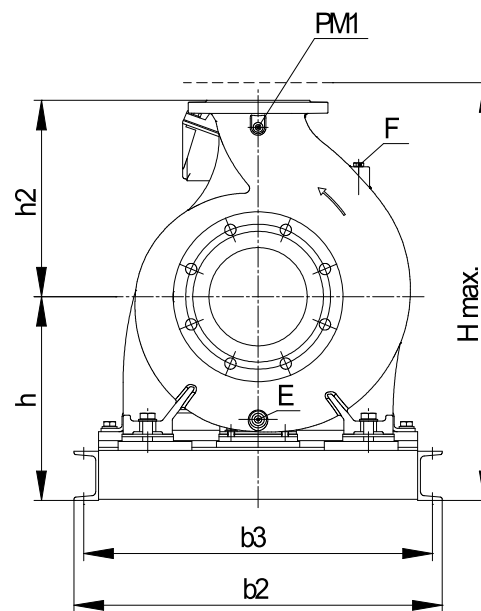
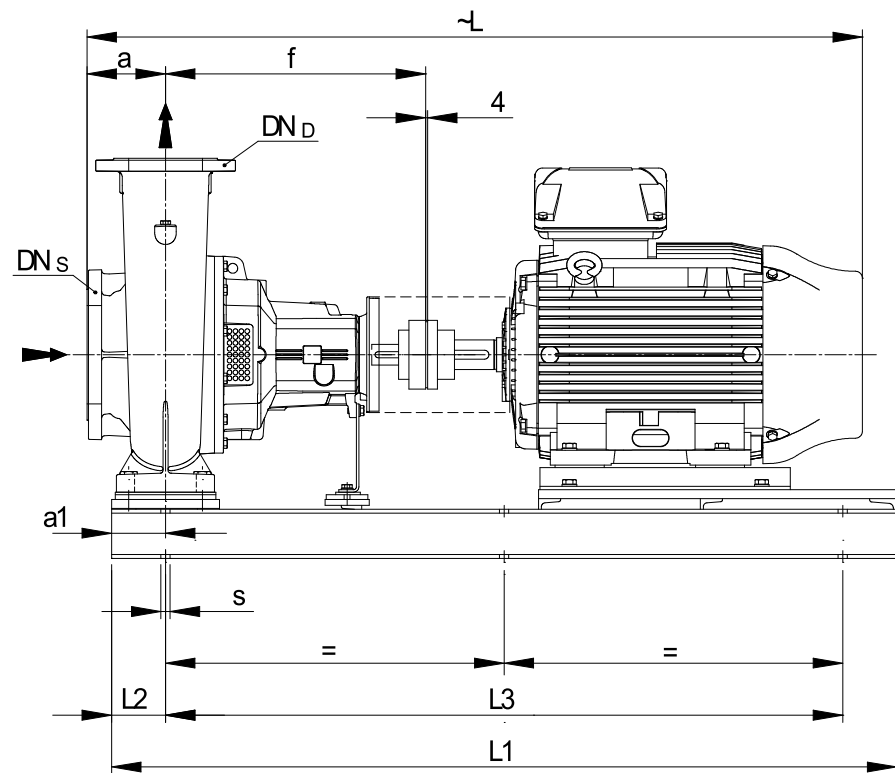
NSCF 200-400/550/L65VDC4

Dimensions

Company name
Contact
Phone number
e-mail address

Frame mounted
Standard coupling
3MGS 280 M B3 55 kW

Electrical and dimensional data refer to IE3 motor



Value C, D may vary from Standard

Dimensions		[mm]	
a	180		
a1	165		
b2	860		
b3	810		
CTO	0		
DNd	200		
DNs	250		
E	1/2"		
F	-		
f	770		
Guard	284		
h	565		
h2	500		
Hmax	1065		
L	1965.5		
L1	1750		
L2	165		
L3	1420		
PM1	1/2"		
s	6xØ26		
Trim	0		
Volumen	1.8002		

Weight	
Total weight	1133 kg

Connections			
Suction nozzle		Discharge nozzle	
DN250		DN200	
PN16		PN16	
EN1092-2		EN1092-2	
C	32	C	30
D	405	D	345
d1	319	d1	266
K	355	K	295
L	28	L	23
z	12	z	12

Dimensions and weight without obligation

Project	Xylect-20100394	Created by		Last update	12/14/2024
Block	NSCF 200-400/1600/L45VDC4 E4	Created on	12/14/2024		