

NSCF 32-250/75/P25VCS4

Technical data

Company name
Contact
Phone number
e-mail address

Operating data			
1	Pumpe type	Single head pump	Fluid Water, pure
2	No. of pumps	1	Operating temperature t A °C 4
3	Nominal flow	m ³ /h 0	Max / Min Operating Temperature mech. Seal °C 120 / -25
4	Nominal head	m 0	pH-value at t A 7
5	Static head	m 0	Density at t A kg/m ³ 1000
6	Inlet pressure	kPa 0	Kin. viscosity at t A mm ² /s 1.569
7	Environmental temperature	°C 20	Vapor pressure at t A kPa 100
8	Available system NPSH	m 0	Altitude 0

Pump data			
9	Lubrication	Standard, Grease lubrication [Std]	
10	Execution	[F] = 2 poles motor unit with standard cuopling	
11	Design	Horizontal	
12	Operating speed	2900 rpm	Stages 1
13	Suction nozzle	DN 50 / PN 16 / EN1092-2	Impeller Ø
14	Discharge nozzle	DN 32 / PN 16 / EN1092-2	
15	Max. casing pressure	kPa	Flow
16	Max. working pressure	kPa 575.4	
17	Impeller type	Radial impeller	
18	Head H(Q=0)	m 59	Head
19	Max. shaft power	kW 7.5	
20	Pump weight	kg 59	Shaft power kW
21	Total weight	kg 148.7	Efficiency %
			NPSH 3% m

Materials			
22		Pump	Shaft Seal
23	Volute Casing	Cast Iron	Single mechanical seal, without shaft sleeve
24	Casing Cover	Cast Iron	eMG12 - Ø28mm BQ7EGG-WA
25	Impeller	Fabricated Stainless Steel	Mechanical seal diameter 28 mm
26	Shaft	Stainless steel	1. Rotating ring Carbon graphite resin impregnated
27	Wear ring	Stainless steel	2. Stationary ring SiC, silicon carbide, sintered press. less
28	Impeller lock nut and washer	Stainless steel	3. Secondary seal Ethylene propylene rubber (EPDM)
29	Impeller key	Stainless steel	4. Springs CrNiMo - Steel
30	Fill and drain plugs	Stainless steel	5. Others EPDM - WRAS
31			Gaskets of the pump Ethylene propylene rubber (EPDM)
32			
33			
34			
35			
36			
37			
38			
39			
40			
41			

Motor data				Coupling			
42	Manufacturer	Lowara		Manufacturer	Flender		
43	Specific design	IE3 3ph Surface Motor - Premium Efficiency		Series	Standard Coupling - N-EUPEX - Type B		
44	Type	PLM 132 B3 7,5 kW		Shaft diameter	Pump 24 mm	Motor 38 mm	
45	Rated power	7.5 kW	Rated current 14.1 A	Frame size	80		
46	Nominal speed	2920 rpm	Rated voltage 400 V	Spacer length	mm 3		
47	Frame size	132	Service factor 1	Weight	kg 1.3		
48	Weight	kg 53.0	Degree of protection IP55	Coupling protection	COUPLGUARD 175x132PNTD		0.3 kg

Base plate		Remarks	
49	Name	BASE 5B 1120X490 BLU	
50	Weight	kg 35.1	

Project	Xylect-20101351	Created by		Last update	12/15/2024
Block	NSCF 32-250/150/P25VCS4	Created on	12/15/2024		

NSCF 32-250/75/P25VCS4

Performance curve

Company name
Contact
Phone number
e-mail address

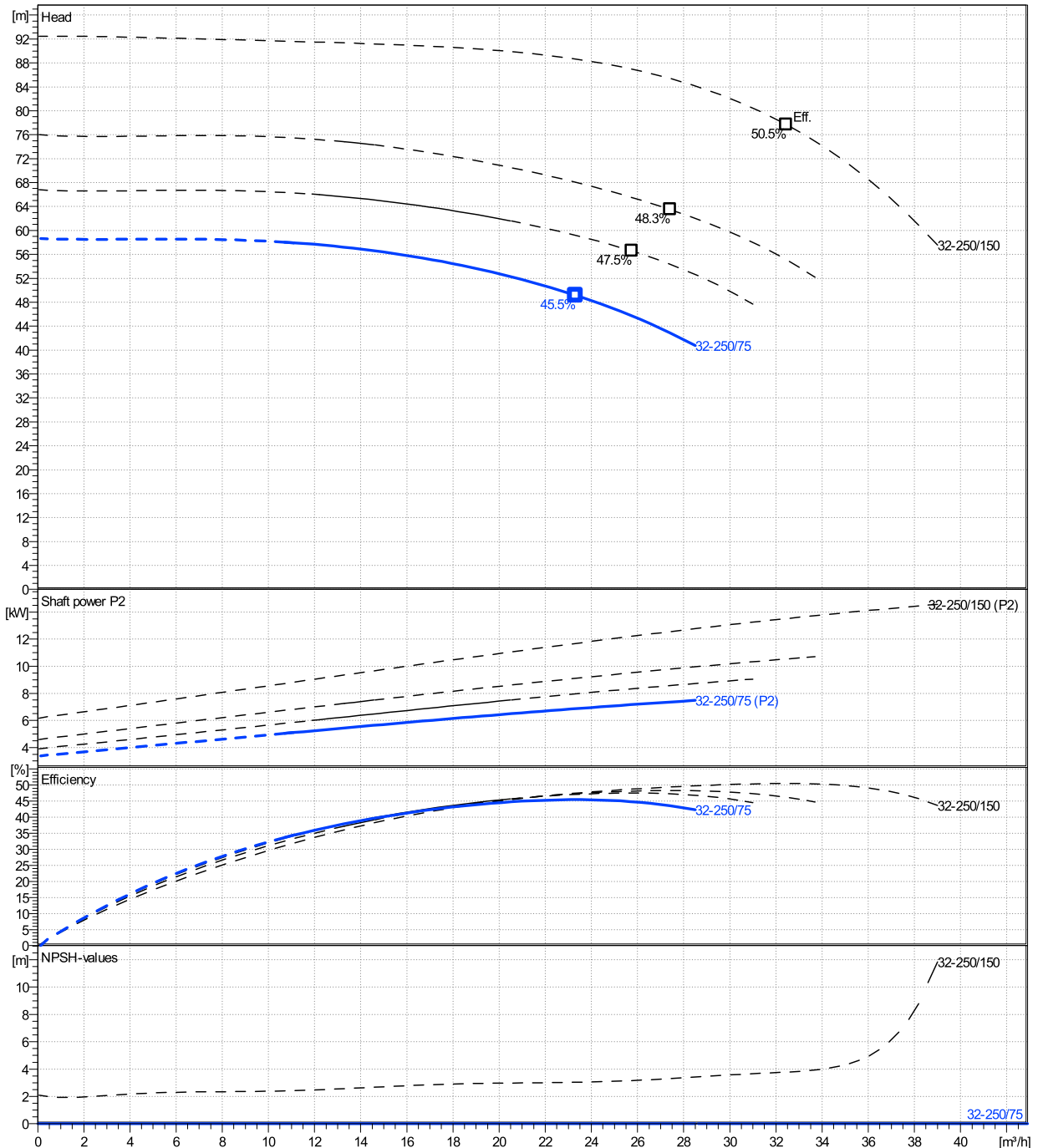
	Ø mm	Pump capacity			Pump head		Shaft power P2			Frequency		Hz	50
		Operating range Min. m³/h	Max. m³/h	η Max. m³/h	H(Q=0) m	η Max. m	P2(Q=0) kW	Max. kW	η Max. kW	Operating speed rpm	2900		
actual	214	11.1	28.5	23.3	58.7	49.2		7.48	6.87	Nominal flow	m³/h	0	
Min.	0	/	/	23.3	58.7	49.2		/	6.87	Nominal head	m	0	
Max.	259	/	/	32.4	92.5	77.7		/	13.5	Inlet pressure	kPa	0	
										Static head	m	0	

Power datas referred to:

hydr. Performance acceptance acc. To EN ISO 9906 Class Grade 3B

Water, pure [100%] ; 4°C; 1000kg/m³; 1.57mm²/s

MEI: >=0,4



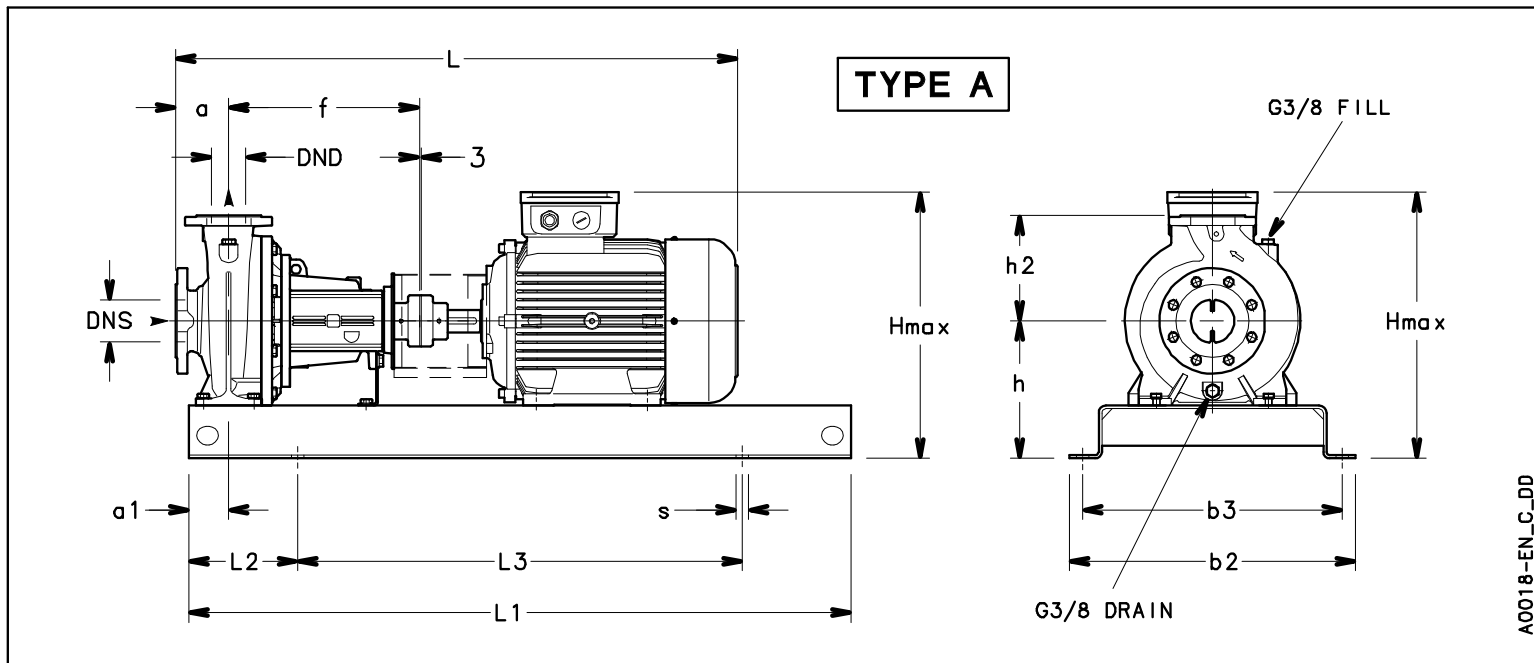
NSCF 32-250/75/P25VCS4

Dimensions

Company name
Contact
Phone number
e-mail address

Frame mounted
[F] = 2 poles motor unit with standard coupling
PLM 132 B3 7,5 kW

Electrical and dimensional data refer to IE3 motor



Dimensions [mm]

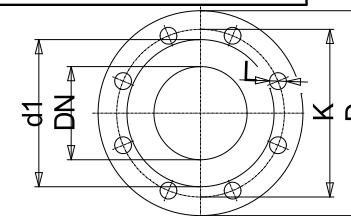
a	100
a1	75
AD	191
b2	490
b3	440
DND	32
DNS	50
f	360
Guard	133
h	280
h2	225
Hmax	505
L	910
L1	1120
L2	190
L3	740
s	4xØ24
Type	A
Volumen	0.22518
x	3

Weight

Total weight	148.7 kg
--------------	----------

Connections

Suction nozzle		Discharge nozzle	
DN 50		DN 32	
PN 16		PN 16	
EN1092-2		EN1092-2	
C	20	C	18
D	165	D	140
df	99	df	76
DN	50	DN	32
K	125	K	100
L	4 x 19	L	4 x 19



Dimensions and weight without obligation

Project	Xylect-20101351
Block	NSCF 32-250/150/P25VCS4

Created by	
Created on	12/15/2024

Last update	12/15/2024
-------------	------------