

# NSCF 80-200/220/L25VCC4

## Technical data

Company name  
Contact  
Phone number  
e-mail address

Operating data				
1	Pumpe type	Single head pump	Fluid	Water, pure
2	No. of pumps	1	Operating temperature t A	°C 4
3	Nominal flow	m³/h 0	Max / Min Operating Temperature mech. Seal	°C 120 / -25
4	Nominal head	m 0	pH-value at t A	7
5	Static head	m 0	Density at t A	kg/m³ 1000
6	Inlet pressure	kPa 0	Kin. viscosity at t A	mm²/s 1.569
7	Environmental temperature	°C 20	Vapor pressure at t A	kPa 100
8	Available system NPSH	m 0	Altitude	0

Pump data							
9	Lubrication	Standard, Grease lubrication [Std]					
10	Execution	[F] = 2 poles motor unit with standard cuopling					
11	Design	Horizontal					
12	Operating speed	2900 rpm	Stages	1			
13	Suction nozzle	DN 100 / PN 16 / EN1092-2	Impeller Ø	Max. designed	mm 219		
14	Discharge nozzle	DN 80 / PN 16 / EN1092-2		Min.	mm 181		
15	Max. casing pressure	kPa	Flow	Nominal	m³/h		
16	Max. working pressure	kPa 427.2		Max-	m³/h 210.1		
17	Impeller type	Radial impeller			Head	Min-	m³/h 48.4
18	Head H(Q=0)	m 44	at Qmax	m 29.3			
19	Max. shaft power	kW 21.7	Shaft power	kW	Efficiency	at Qmin	m 43.8
20	Pump weight	kg 83	Efficiency	%			
21	Total weight	kg 256.8	NPSH 3%	m			

Materials				
22		<b>Pump</b>	<b>Shaft Seal</b>	
23	Volute Casing	Cast Iron	Single mechanical seal, without shaft sleeve	
24	Casing Cover	Cast Iron	eMG12 - Ø38mm	BQ7EGG-WA
25	Impeller	Cast Iron	Mechanical seal diameter	38 mm
26	Shaft	Stainless steel	1. Rotating ring	Carbon graphite resin impregnated
27	Wear ring	Stainless steel	2. Stationary ring	SiC, silicon carbide, sintered press. less
28	Impeller lock nut and washer	Stainless steel	3. Secondary seal	Ethylene propylene rubber (EPDM)
29	Impeller key	Stainless steel	4. Springs	CrNiMo - Steel
30	Fill and drain plugs	Stainless steel	5. Others	EPDM - WRAS
31			Gaskets of the pump	Ethylene propylene rubber (EPDM)
32				
33				
34				
35				
36				
37				
38				
39				
40				
41				

Motor data				Coupling			
42	Manufacturer	Lowara		Manufacturer	Flender		
43	Specific design	IE3 3ph Surface Motor - Premium Efficiency		Series	Standard Coupling - N-EUPEX - Type B		
44	Type	3MAS 180 M B3 22 kW		Shaft diameter	Pump 32 mm	Motor 48 mm	
45	Rated power	22 kW	Rated current 37.9 A	Frame size	110		
46	Nominal speed	2960 rpm	Rated voltage 400 V	Spacer length	mm 3		
47	Frame size	180 M	Service factor 1	Weight	kg 3.3		
48	Weight	kg 127.3	Degree of protection IP55	Coupling protection	COUPLGUARD 190KS95-16 4571		0.7 kg

Base plate			Remarks		
49	Name	BASE 6B 1250X540 BLU			
50	Weight	kg 42.5			

# NSCF 80-200/220/L25VCC4

## Performance curve

Company name  
Contact  
Phone number  
e-mail address

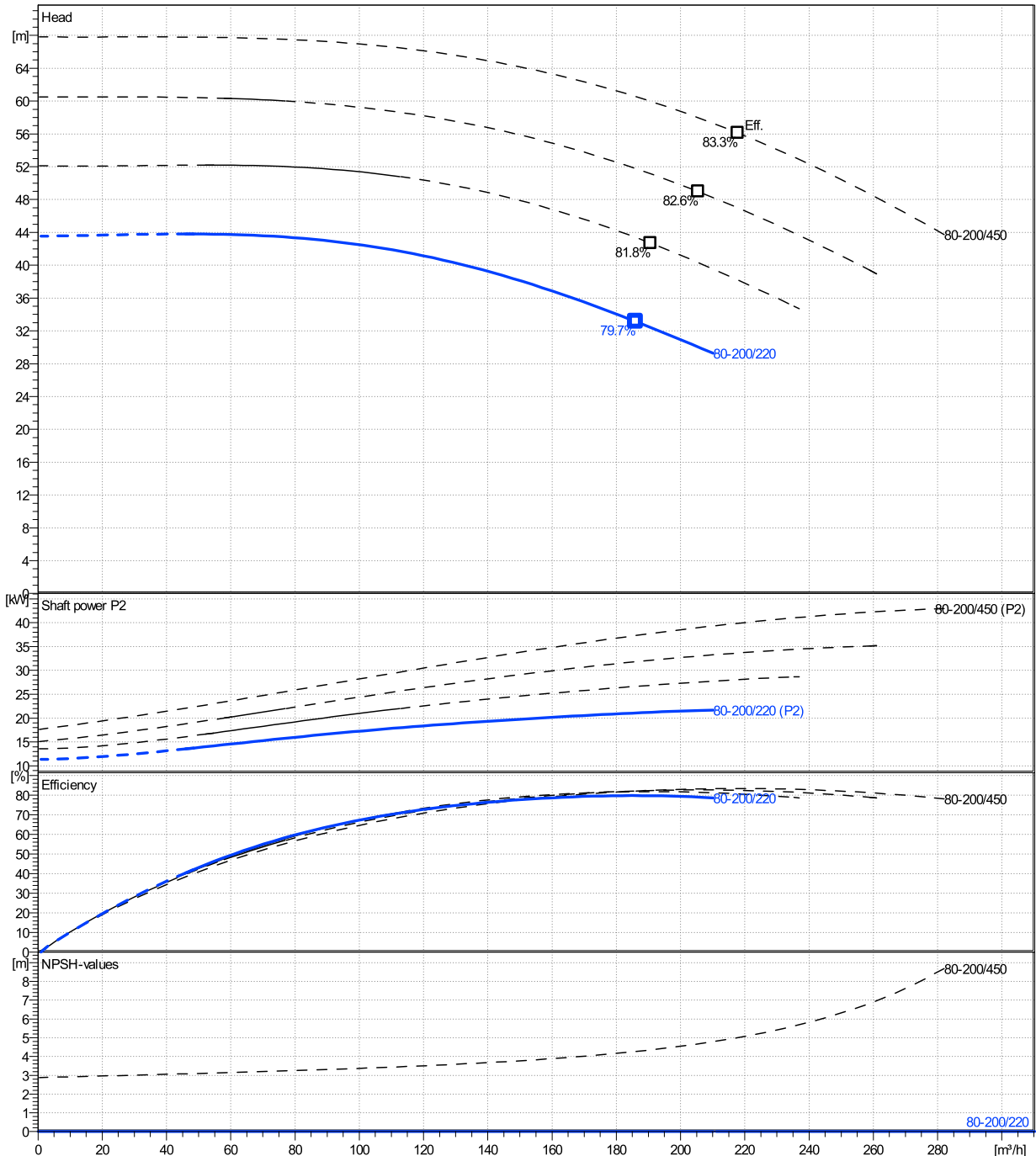
	Ø mm	Pump capacity			Pump head		Shaft power P2			Frequency	Hz
		Operating range Min. m³/h	Max. m³/h	η Max. m³/h	H(Q=0) m	η Max. m	P2(Q=0) kW	Max. kW	η Max. kW	Operating speed	rpm
actual	181	48.4	210	186	43.5	33.1	21.7	21.1	Nominal flow	m³/h	0
Min.	0	/	/	186	43.5	33.1	/	21.1	Nominal head	m	0
Max.	219	/	/	218	67.8	56.1	/	39.9	Inlet pressure	kPa	0
									Static head	m	0

**Power datas referred to:**

hydr. Performance acceptance acc. To EN ISO 9906 Class Grade 3B

Water, pure [100%] ; 4°C; 1000kg/m³; 1.57mm²/s

MEI: >=0,4



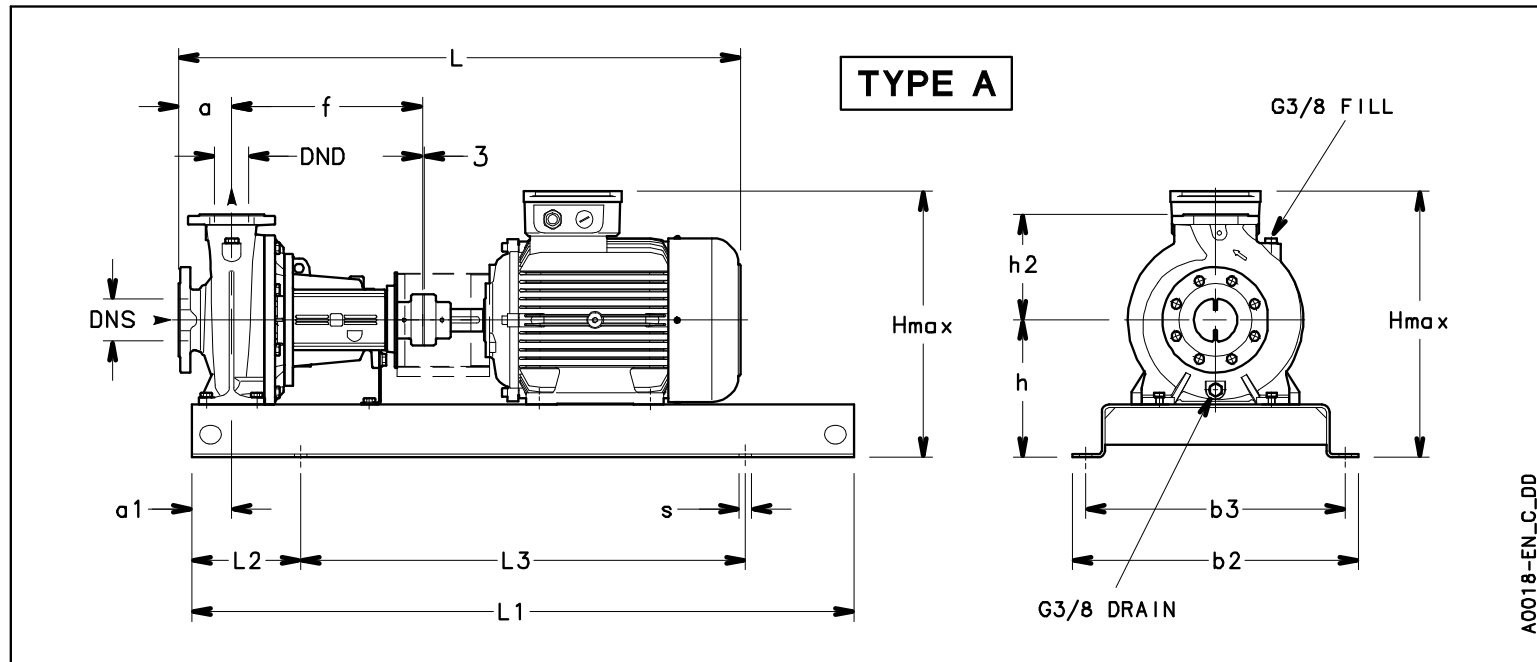
# NSCF 80-200/220/L25VCC4

## Dimensions

Company name  
Contact  
Phone number  
e-mail address

Frame mounted  
[F] = 2 poles motor unit with standard coupling  
3MAS 180 M B3 22 kW

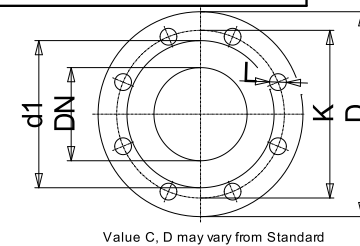
Electrical and dimensional data refer to IE3 motor



Dimensions [ mm ]	
a	125
a1	75
AD	264
b2	540
b3	490
DND	80
DNS	100
f	470
Guard	193
h	280
h2	250
Hmax	544
L	1299
L1	1250
L2	205
L3	840
s	4xØ24
Type	A
Volumen	0.38159
x	3

Weight	
Total weight	256.8 kg

Connections			
Suction nozzle		Discharge nozzle	
DN 100		DN 80	
PN 16		PN 16	
EN1092-2		EN1092-2	
C	24	C	22
D	230	D	200
df	157	df	132
DN	100	DN	80
K	180	K	160
L	8 x 19	L	8 x 19



### Dimensions and weight without obligation

Project	Xylect-20099624	Created by		Last update	12/13/2024
Block	NSCF 80-200/450/L25VCC4	Created on	12/13/2024		