

NSCF 80-250/550/L25VCC4

Technical data

Company name
Contact
Phone number
e-mail address

| Operating data | | | | |
|----------------|---------------------------|------------------|--|--------------|
| 1 | Pumpe type | Single head pump | Fluid | Water, pure |
| 2 | No. of pumps | 1 | Operating temperature at A | °C 4 |
| 3 | Nominal flow | m³/h 0 | Max / Min Operating Temperature mech. Seal | °C 120 / -25 |
| 4 | Nominal head | m 0 | pH-value at t A | 7 |
| 5 | Static head | m 0 | Density at t A | kg/m³ 1000 |
| 6 | Inlet pressure | kPa 0 | Kin. viscosity at t A | mm²/s 1.569 |
| 7 | Environmental temperature | °C 20 | Vapor pressure at t A | kPa 100 |
| 8 | Available system NPSH | m 0 | Altitude | 0 |

| Pump data | | | | | | | |
|-----------|-----------------------|---|------------|---------------|-------------|------|-----------|
| 9 | Lubrication | Standard, Grease lubrication [Std] | | | | | |
| 10 | Execution | [F] = 2 poles motor unit with standard coupling | | | | | |
| 11 | Design | Horizontal | | | | | |
| 12 | Operating speed | 2900 rpm | Stages | 1 | | | |
| 13 | Suction nozzle | DN 100 / PN 16 / EN1092-2 | Impeller Ø | Max. designed | mm 259 | | |
| 14 | Discharge nozzle | DN 80 / PN 16 / EN1092-2 | | Min. | mm 214 | | |
| 15 | Max. casing pressure | kPa | Flow | Nominal | m³/h | | |
| 16 | Max. working pressure | kPa 818.9 | | Max- | m³/h 269.3 | | |
| 17 | Impeller type | Radial impeller | | | Head | Min- | m³/h 60.2 |
| 18 | Head H(Q=0) | m 83 | at Qmax | m 57.7 | | | |
| 19 | Max. shaft power | kW 54.4 | at Qmin | m 85.1 | Shaft power | kW | |
| 20 | Pump weight | kg 86 | Efficiency | % | | | |
| 21 | Total weight | kg 617.1 | NPSH 3% | m | | | |

| Materials | | | | |
|-----------|------------------------------|-----------------|--|---|
| 22 | | Pump | Shaft Seal | |
| 23 | Volute Casing | Cast Iron | Single mechanical seal, without shaft sleeve | |
| 24 | Casing Cover | Cast Iron | eMG12 - Ø38mm | BQ7EGG-WA |
| 25 | Impeller | Cast Iron | Mechanical seal diameter | 38 mm |
| 26 | Shaft | Stainless steel | 1. Rotating ring | Carbon graphite resin impregnated |
| 27 | Wear ring | Stainless steel | 2. Stationary ring | SiC, silicon carbide, sintered press.less |
| 28 | Impeller lock nut and washer | Stainless steel | 3. Secondary seal | Ethylene propylene rubber (EPDM) |
| 29 | Impeller key | Stainless steel | 4. Springs | CrNiMo - Steel |
| 30 | Fill and drain plugs | Stainless steel | 5. Others | EPDM - WRAS |
| 31 | | | Gaskets of the pump | Ethylene propylene rubber (EPDM) |
| 32 | | | | |
| 33 | | | | |
| 34 | | | | |
| 35 | | | | |
| 36 | | | | |
| 37 | | | | |
| 38 | | | | |
| 39 | | | | |
| 40 | | | | |
| 41 | | | | |

| Motor data | | | | Coupling | | | |
|------------|-----------------|--|----------------------|----------------|--------------------------------------|----------------------------|--------|
| 42 | Manufacturer | Lowara | | Manufacturer | Flender | | |
| 43 | Specific design | IE3 3ph Surface Motor - Premium Efficiency | | Series | Standard Coupling - N-EUPEX - Type B | | |
| 44 | Type | 3MGS 250 M B3 55 kW | | Shaft diameter | Pump 32 mm | Motor 60 mm | |
| 45 | Rated power | 55 kW | Rated current | 92.5 A | Frame size | 140 | |
| 46 | Nominal speed | 2975 rpm | Rated voltage | 400 V | Spacer length | mm 3 | |
| 47 | Frame size | 250 M | Service factor | 1 | Weight | kg 5.6 | |
| 48 | Weight | kg 418.4 | Degree of protection | IP55 | Coupling protection | COUPLGUARD 190KS95-16 4571 | 0.7 kg |

| Base plate | | | Remarks | |
|------------|--------|----------------------|---------|--|
| 49 | Name | BASE 8A 1600X660 BLU | | |
| 50 | Weight | kg 106.4 | | |

NSCF 80-250/550/L25VCC4

Performance curve

Company name
Contact
Phone number
e-mail address

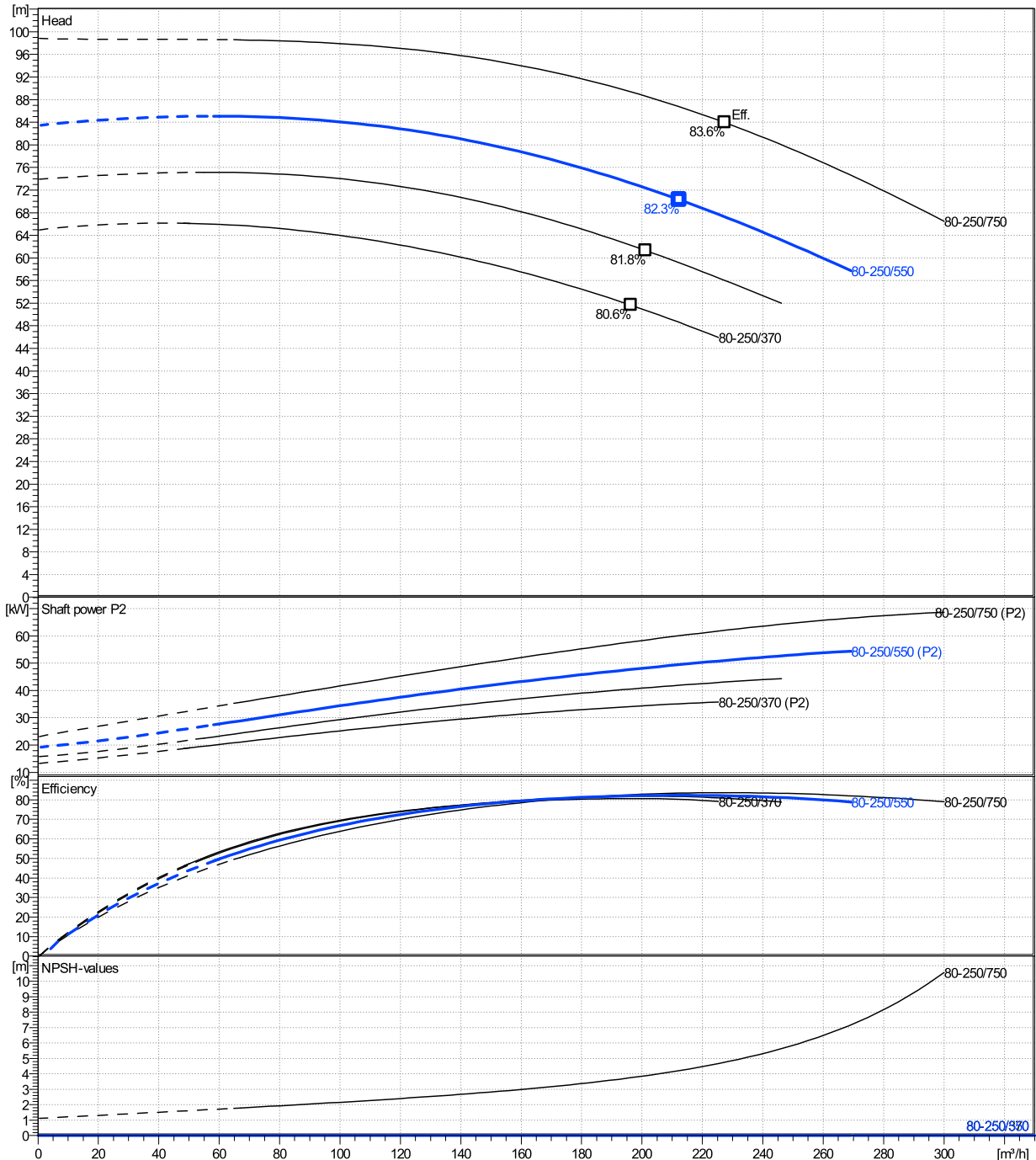
| | Ø mm | Pump capacity | | | Pump head | | Shaft power P2 | | | Frequency | Hz | 50 |
|--------|---------|------------------------------|-----------|----------------|-------------|-------------|----------------|---------|--------------|-----------------|------|------|
| | | Operating range Min. m³/h | Max. m³/h | η Max. m³/h | H(Q=0) m | η Max. m | P2(Q=0) kW | Max. kW | η Max. kW | Operating speed | rpm | 2900 |
| actual | 241 | 60.2 | 269 | 212 | 83.5 | 70.3 | | 54.4 | 49.5 | Nominal flow | m³/h | 0 |
| Min. | 0 | / | / | 196 | 65 | 51.6 | | / | 34.1 | Nominal head | m | 0 |
| Max. | 259 | / | / | 227 | 98.8 | 83.9 | | / | 62.1 | Inlet pressure | kPa | 0 |
| | | | | | | | | | | Static head | m | 0 |

Power datas referred to:

hydr. Performance acceptance acc. To EN ISO 9906 Class Grade 3B

Water, pure [100%] ; 4°C; 1000kg/m³; 1.57mm²/s

MEI: >=0,4



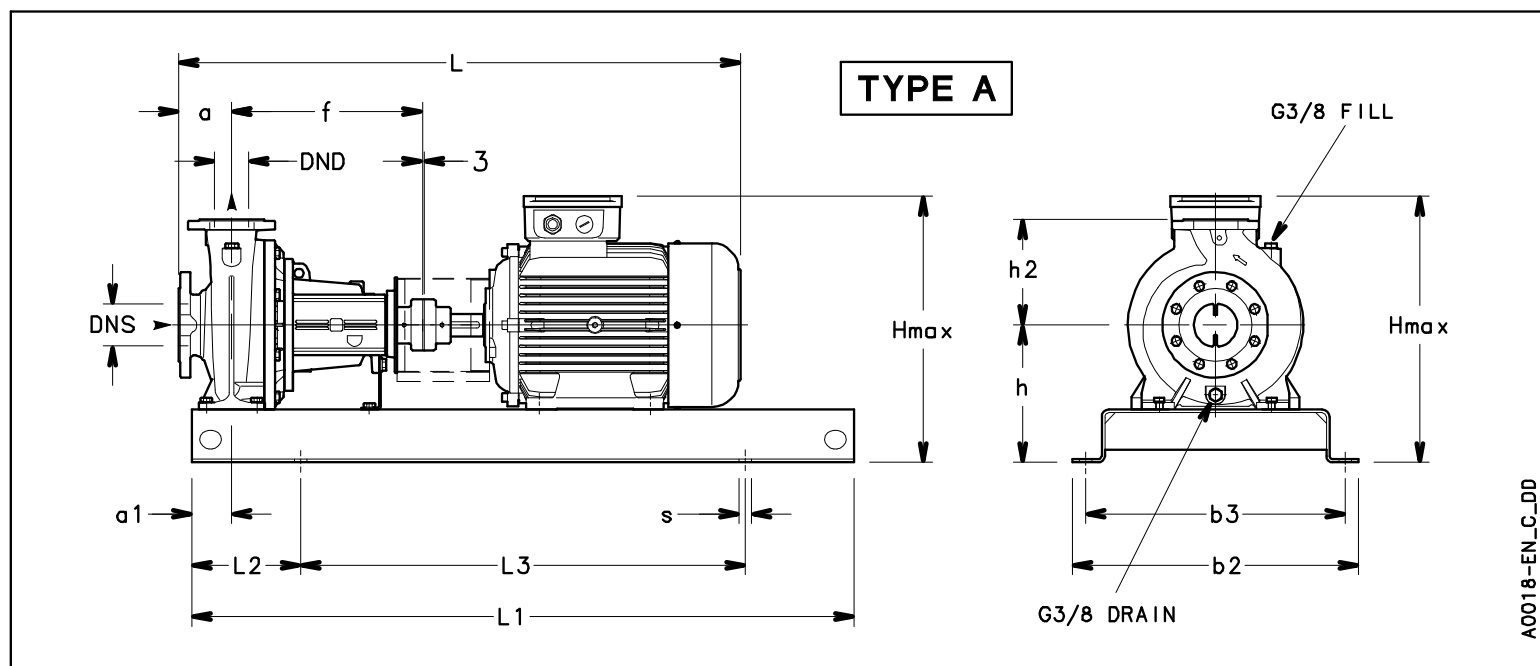
NSCF 80-250/550/L25VCC4

Dimensions

Company name
Contact
Phone number
e-mail address

Frame mounted
[F] = 2 poles motor unit with standard coupling
3MGS 250 M B3 55 kW

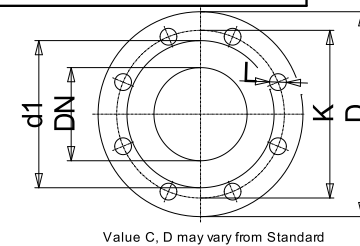
Electrical and dimensional data refer to IE3 motor



| Dimensions | | [mm] | |
|------------|---------|--------|--|
| a | 125 | | |
| a1 | 90 | | |
| AD | 377 | | |
| b2 | 660 | | |
| b3 | 600 | | |
| DND | 80 | | |
| DNS | 100 | | |
| f | 470 | | |
| Guard | 223 | | |
| h | 390 | | |
| h2 | 280 | | |
| Hmax | 767 | | |
| L | 1504.5 | | |
| L1 | 1600 | | |
| L2 | 270 | | |
| L3 | 1060 | | |
| s | 4xØ28 | | |
| Type | A | | |
| Volumen | 0.76161 | | |
| x | 3 | | |

| Weight | |
|--------------|----------|
| Total weight | 617.1 kg |

| Connections | | | |
|----------------|--------|------------------|--------|
| Suction nozzle | | Discharge nozzle | |
| DN 100 | | DN 80 | |
| PN 16 | | PN 16 | |
| EN1092-2 | | EN1092-2 | |
| C | 24 | C | 22 |
| D | 230 | D | 200 |
| df | 157 | df | 132 |
| DN | 100 | DN | 80 |
| K | 180 | K | 160 |
| L | 8 x 19 | L | 8 x 19 |



Dimensions and weight without obligation

| | | | | | |
|---------|----------------------------|------------|------------|-------------|------------|
| Project | Xylect-20101351 | Created by | | Last update | 12/15/2024 |
| Block | NSCF 80-250/750/L25VCC4 E4 | Created on | 12/15/2024 | | |