

# NSCF 80-315/220/L45VCC4

## Technical data

Company name  
Contact  
Phone number  
e-mail address

Operating data					
1	Pumpe type	Single head pump		Fluid	Water, pure
2	No. of pumps	1		Operating temperature t A	°C 4
3	Nominal flow	m³/h	0	Max / Min Operating Temperature mech. Seal	°C 120 / -25
4	Nominal head	m	0	pH-value at t A	7
5	Static head	m	0	Density at t A	kg/m³ 1000
6	Inlet pressure	kPa	0	Kin. viscosity at t A	mm²/s 1.569
7	Environmental temperature	°C	20	Vapor pressure at t A	kPa 100
8	Available system NPSH	m	0	Altitude	0

Pump data					
9	Lubrication	Standard, Grease lubrication [Std]			
10	Execution	Standard coupling			
11	Design	Horizontal			
12	Operating speed	1470 rpm	Stages	1	
13	Suction nozzle	DN100	/	PN10/16	/ EN1092-2
14	Discharge nozzle	DN80	/	PN10/16	/ EN1092-2
15	Max. casing pressure	kPa			
16	Max. working pressure	kPa	378.9		
17	Impeller type	Radial impeller			
18	Head H(Q=0)	m	39		
19	Max. shaft power	kW	19.9		
20	Pump weight	kg	118		
21	Total weight	kg	370.9		

					Impeller Ø	
					Max.	mm
					designed	334
					Min.	262
					Nominal	m³/h
					Max-	205
					Min-	22
					Nominal	m
					at Qmax	22.1
					at Qmin	38.7
					Shaft power	kW
					Efficiency	%
					NPSH 3%	m

Materials						
	Pump			Shaft Seal		
23	Volute Casing	Cast Iron, EN 1561 - GJL-250, ASTM Class 35			Single mechanical seal, without shaft sleeve	
24	Impeller	Cast Iron, EN 1561 - GJL-200, ASTM Class 30			eMG12 - Ø38mm	BQ7EGG-WA
25	Casing Cover	Cast Iron, EN 1561 - GJL-250, ASTM Class 35			Mechanical seal diameter	38 mm
26	Shaft	Stainless steel, 1.4057, AISI 431			1. Rotating ring	Carbon graphite resin impregnated
27	Wear ring	Stainless steel, 1.4301, AISI 304			2. Stationary ring	SiC, silicon carbide, sintered press. less
28	Impeller lock nut and washer	A4 (1.4401)			3. Secondary seal	Ethylene propylene rubber (EPDM)
29	Impeller key	Stainless steel, 1.4571, AISI 316Ti			4. Springs	CrNiMo - Steel
30	Fill and drain plugs	Galvanized carbon steel, EN 10277-3, AISI 1213 / 1215			5. Others	EPDM - WRAS
31	Bearing bracket	Cast Iron, EN 1561 - GJL-250, ASTM Class 35			Gaskets of the pump	Ethylene propylene rubber (EPDM)
32						
33						
34						
35						
36						
37						
38						
39						
40						
41						

Motor data				Coupling			
Electrical and dimensional data refer to IE3 motor							
42	Manufacturer	Lowara		Manufacturer	Flender		
43	Specific design	IE3 3ph Surface Motor - Premium Efficiency		Series	Standard Coupling - N-EUPEX - Type B		
44	Type	3MAS 180 L B3 22 kW		Shaft diameter	Pump 32 mm	Motor 48 mm	
45	Rated power	22 kW	Rated current 42.2 A	Frame size	110		
46	Nominal speed	1470 rpm	Rated voltage 400 V	Spacer length	mm	4	
47	Frame size	180 L	Service factor 1	Weight	kg	3.3	
48	Weight	kg 141.0	Degree of protection IP55	Coupling protection	GR.COUPLGUARD ES32-190-16 A4 1.8 kg		

Base plate			Remarks		
49	Name	BASEFRAME_NSC80-2_C00			
50	Weight	kg	106.8		

# NSCF 80-315/220/L45VCC4

## Performance curve

Company name  
Contact  
Phone number  
e-mail address

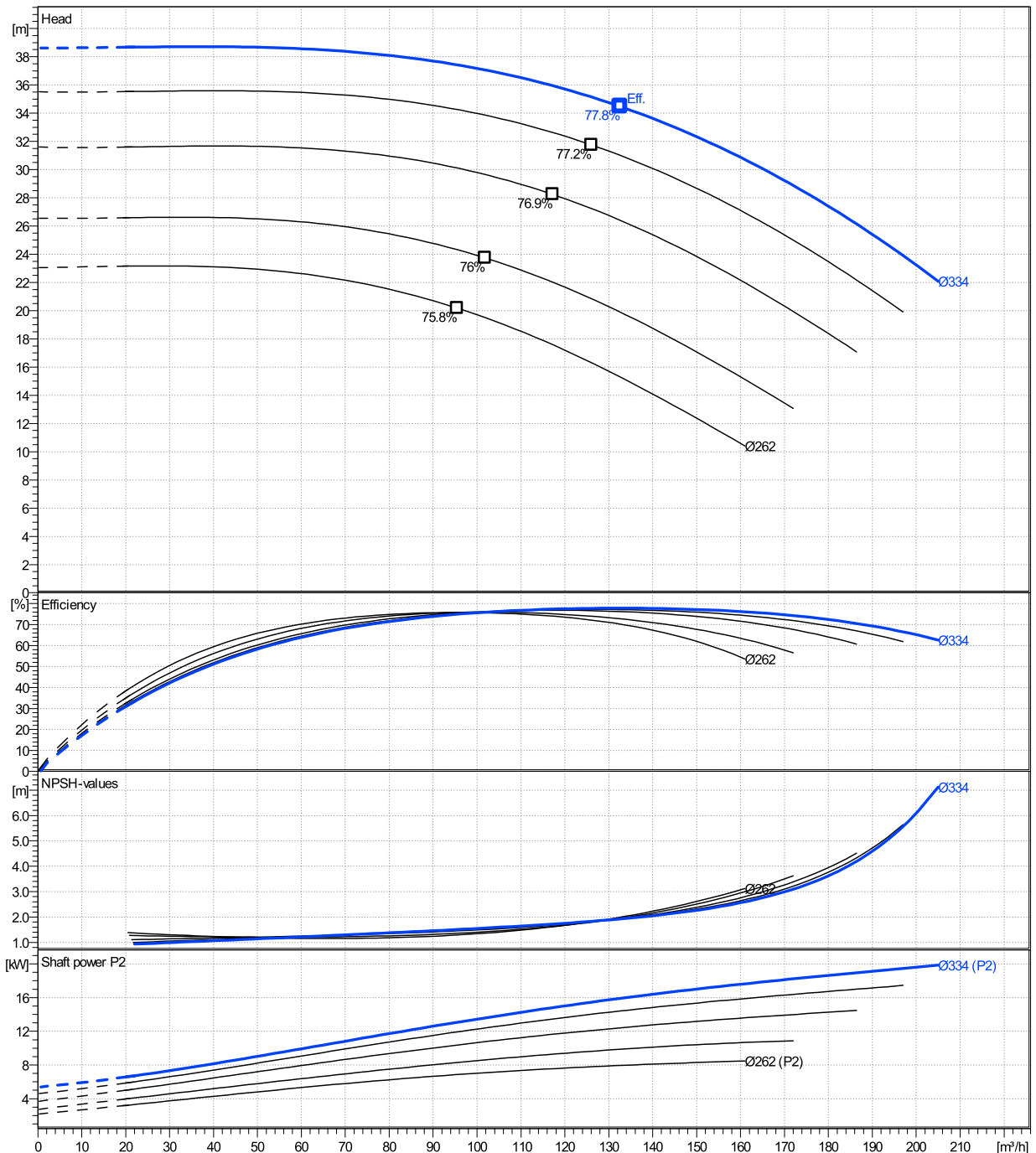
	Ø mm	Pump capacity			Pump head		Shaft power P2			Frequency	
		Operating range Min. m³/h	Max. m³/h	η Max. m³/h	H(Q=0) m	η Max. m	P2(Q=0) kW	Max. kW	η Max. kW	Hz	
actual	334	22	205	133	38.6	34.5	19.9	15.9	0	1470	0
Min.	0	/	/	95.5	23.1	20.2	/	6.86	0	0	0
Max.	334	/	/	133	38.6	34.5	/	15.9	0	0	0

**Power datas referred to:**

hydr. Performance acceptance acc. To EN ISO 9906 Class Grade 3B

Water, pure [100%] ; 4°C; 1000kg/m³; 1.57mm²/s

MEI: >=0,70 - according to Ecodesign Directive 2009/125/EC and Regulation (EU) No.547/2012



# NSCF 80-315/220/L45VCC4

## Dimensions

Company name  
Contact  
Phone number  
e-mail address

Frame mounted  
Standard coupling  
3MAS 180 L B3 22 kW

Electrical and dimensional data refer to IE3 motor

### Dimensions [ mm ]

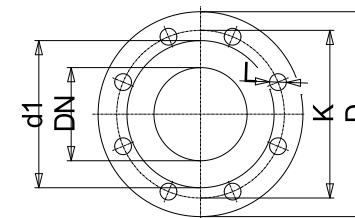
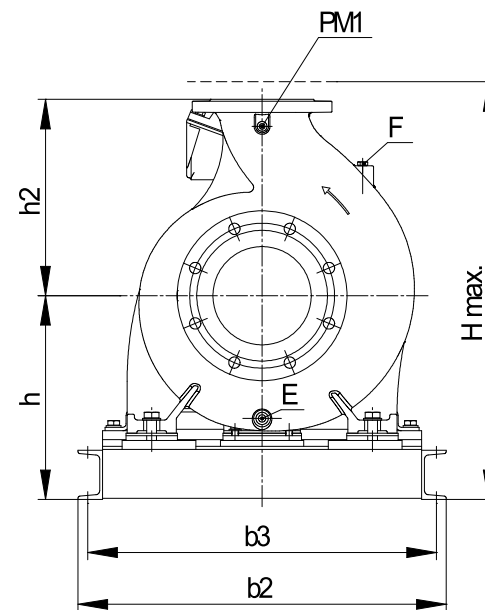
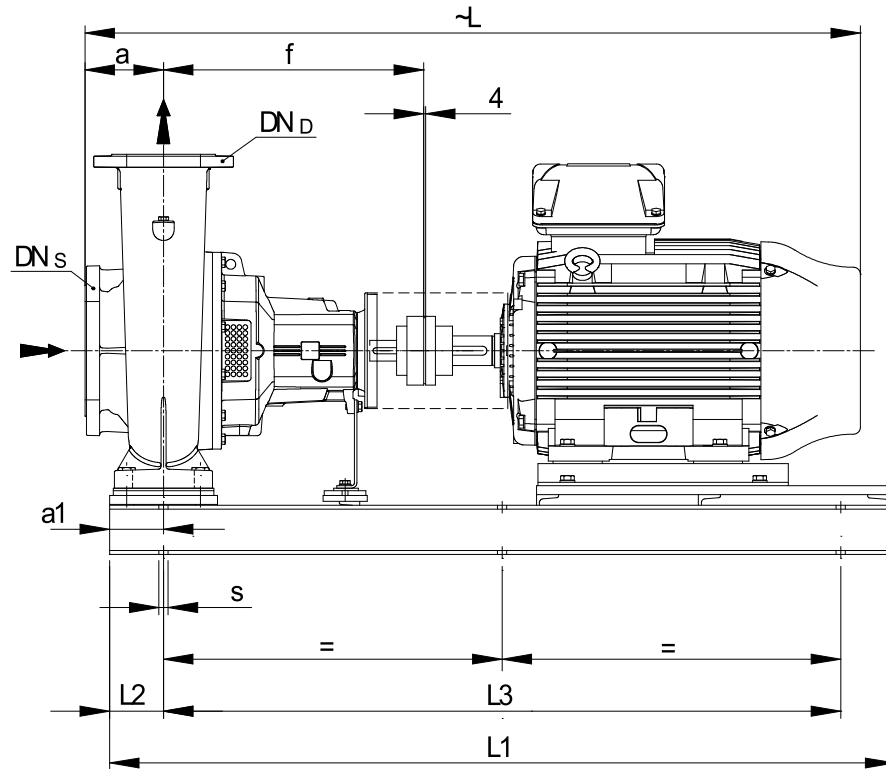
a	125
a1	110
b2	670
b3	630
CTO	0
DNd	80
DNs	100
E	3/8"
F	3/8"
f	470
Guard	194
h	385
h2	315
Hmax	700
L	1300
L1	1330
L2	110
L3	1110
PM1	1/4"
s	6xØ19
Trim	0
Volumen	0.6097

### Weight

Total weight	370.9 kg
--------------	----------

### Connections

Suction nozzle		Discharge nozzle	
DN100		DN80	
PN10/16		PN10/16	
EN1092-2		EN1092-2	
C	24	C	22
D	230	D	200
d1	157	d1	132
K	180	K	160
L	19	L	19
z	8	z	8



Value C, D may vary from Standard

### Dimensions and weight without obligation

Project	Xylect-20101285
Block	NSCF 80-315/220/L45VCC4

Created by	
Created on	12/15/2024

Last update	12/15/2024
-------------	------------