

NSCF100-200/900/L26UCC4 E4

Technical data

Company name
Contact
Phone number
e-mail address

Operating data				
1	Pumpe type	Single head pump	Fluid	Water, pure
2	No. of pumps	1	Operating temperature at A	°F 39.2
3	Nominal flow	US g.p.m. 0	Max / Min Operating Temperature mech. Seal	°F 120 / -25
4	Nominal head	ft 0	pH-value at t A	7
5	Static head	ft 0	Density at t A	lb/ft ³ 62.4
6	Inlet pressure	psi 0	Kin. viscosity at t A	ft ² /s 1.689E-5
7	Environmental temperature	°F 68	Vapor pressure at t A	psi 14.5
8	Available system NPSH	ft 0	Altitude	0

Pump data				
9	Lubrication	Standard, Grease lubrication [Std]		
10	Execution	Standard coupling		
11	Design	Horizontal		
12	Operating speed	3582 rpm	Stages	1
13	Suction nozzle	DN125 / PN10/16 / EN1092-2	Impeller Ø	Max. inch 9 1/32
14	Discharge nozzle	DN100 / PN10/16 / EN1092-2		designed inch 8 3/4
15	Max. casing pressure	psi	Flow	Min. inch 7 9/16
16	Max. working pressure	psi 136.6		Nominal US g.p.m.
17	Impeller type	Radial impeller		Max- US g.p.m. 1939.4
18	Head H(Q=0)	ft 310	Head	Min- US g.p.m. 347.7
19	Max. shaft power	hp 118.9		Nominal ft
20	Pump weight	kg 198.4	at Qmax ft 186.5	at Qmin ft 314.5
21	Total weight	lb On demand	Shaft power hp	Efficiency %
			NPSH 3%	ft

Materials				
22		Pump	Shaft Seal	
23	Volute Casing	Cast Iron, EN 1561 - GJL-250, ASTM Class 35		Single mechanical seal, without shaft sleeve
24	Impeller	Cast Iron, EN 1561 - GJL-200, ASTM Class 30		eMG12 - Ø38mm BQ7EGG-WA
25	Casing Cover	Cast Iron, EN 1561 - GJL-250, ASTM Class 35		Mechanical seal diameter 1 1/2 inch
26	Shaft	Stainless steel, 1.4057, AISI 431		1. Rotating ring Carbon graphite resin impregnated
27	Wear ring	Stainless steel, 1.4301, AISI 304		2. Stationary ring SiC, silicon carbide, sintered press.less
28	Impeller lock nut and washer	A4 (1.4401)		3. Secondary seal Ethylene propylene rubber (EPDM)
29	Impeller key	Stainless steel, 1.4571, AISI 316Ti		4. Springs CrNiMo - Steel
30	Fill and drain plugs	Galvanized carbon steel, EN 10277-3, AISI 1213 / 1215		5. Others EPDM - WRAS
31	Bearing bracket	Cast Iron, EN 1561 - GJL-250, ASTM Class 35		Gaskets of the pump Ethylene propylene rubber (EPDM)
32				
33				
34				
35				
36				
37				
38				
39				
40				
41				

Motor data				Electrical and dimensional data refer to IE4 motor		Coupling	
42	Manufacturer	Lowara		Manufacturer	Flender		
43	Specific design	IE4 3ph Surface Motor - Super Premium Efficiency		Series	Standard Coupling - N-EUPEX - Type B		
44	Type	3MGS 280 M B3 90 kW E4		Shaft diameter	Pump 1 1/4 inch	Motor 2 9/16 inch	
45	Rated power	120.69 hp	Rated current 160 A	Frame size	160		
46	Nominal speed	3582 rpm	Rated voltage 380 V	Spacer length	inch 3/16		
47	Frame size	280 M	Service factor 1	Weight	lb 17.2		
48	Weight	lb 1,459.2	Degree of protection IP55	Coupling protection	GR.COUPLGUARD ES32-190-23 A4	5.291 lb	

Base plate			Remarks	
49	Name	BASEFRAME_NSC80-6_C00		
50	Weight	lb 276.0		

Project	Xylect-20182283	Created by		Last update	1/11/2025
Block	NSCF100-200/1100/L26UCC4 E4	Created on	1/11/2025		

NSCF100-200/900/L26UCC4 E4

Performance curve

Company name
Contact
Phone number
e-mail address

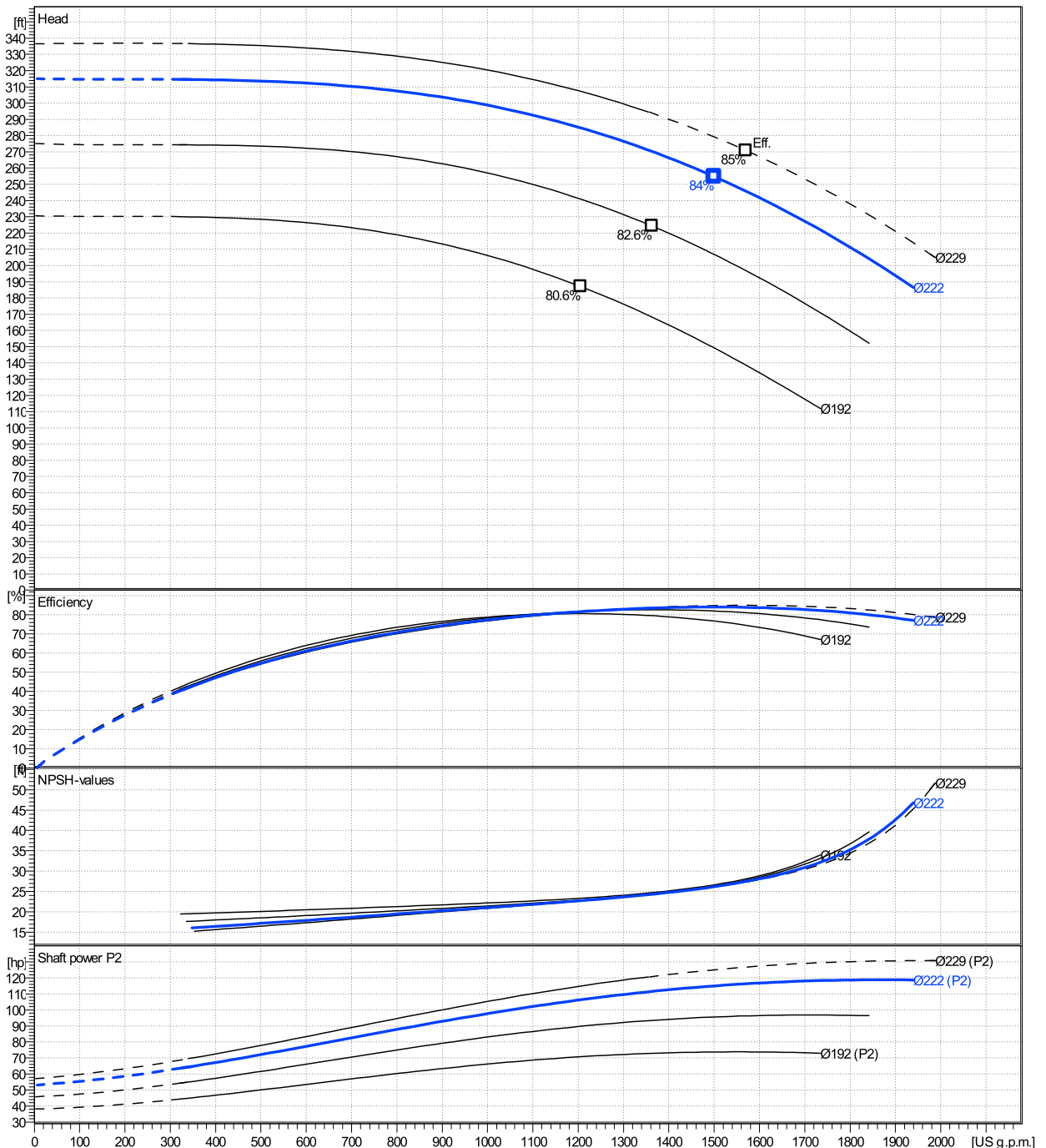
	Ø mm	Pump capacity			Pump head		Shaft power P2			Frequency	Hz	
		Operating range Min. US g.p.m.	Max. US g.p.m.	η Max. US g.p.m.	H(Q=0) ft	η Max. ft	P2(Q=0) hp	Max. hp	η Max. hp	Operating speed	rpm	
actual	8 3/4	348	1940	1500	315	255				60	3582	
Min.	0	/	/	1210	231	187	/	/	70.8		0	
Max.	9 1/32	/	/	1570	337	271	/	/	127		0	
										Nominal flow	US g.p.m.	0
										Nominal head	ft	0
										Inlet pressure	psi	0
										Static head	ft	0

Power datas referred to:

hydr. Performance acceptance acc. To EN ISO 9906 Class Grade 3B

Water, pure [100%] ; 39.2°F; 62.4lb/ft³; 1.69E-5ft²/s

MEI: 0,69 - according to Ecodesign Directive 2009/125/EC and Regulation (EU) No.547/2012



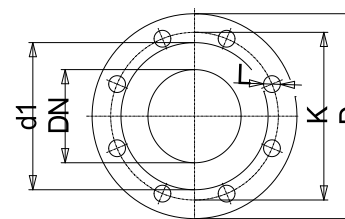
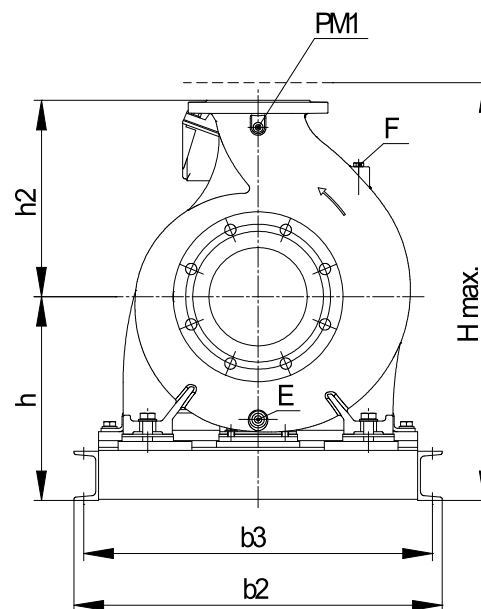
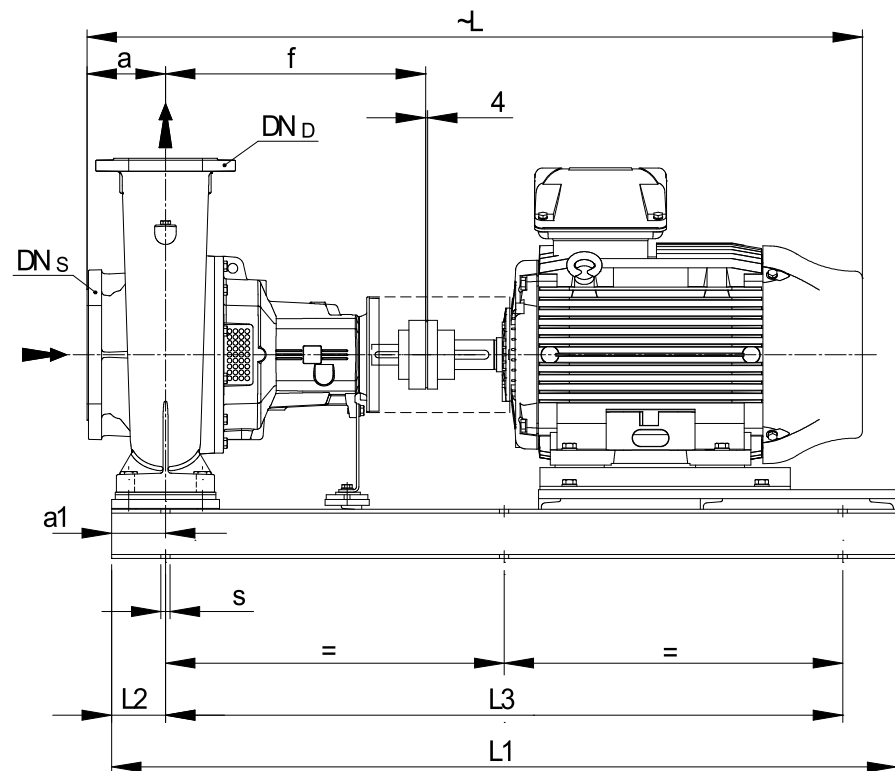
NSCF100-200/900/L26UCC4 E4

Dimensions

Company name
Contact
Phone number
e-mail address

Frame mounted
Standard coupling
3MGS 280 M B3 90 kW E4

Electrical and dimensional data refer to IE4 motor



Value C, D may vary from Standard

Dimensions		[inch]	
a	4 ¹⁵ / ₁₆		
a1	4 ⁵ / ₁₆		
b2	29 ¹ / ₂		
b3	27 ¹⁵ / ₁₆		
CTO			
DNd	3 ¹⁵ / ₁₆		
DNs	4 ¹⁵ / ₁₆		
E	3/8"		
F	3/8"		
f	18 ¹ / ₂		
Guard	8 ¹³ / ₁₆		
h	15 ³ / ₈		
h2	11 ¹ / ₃₂		
Hmax	31 ⁵ / ₈		
L1	61 ¹ / ₃₂		
L2	4 ⁵ / ₁₆		
L3	52 ³ / ₈		
PM1	1/4"		
s	6xØ19		
Trim			
Volumen	1/16		

Weight	
Total weight	On demand kg

Connections			
Suction nozzle		Discharge nozzle	
DN125		DN100	
PN10/16		PN10/16	
EN1092-2		EN1092-2	
C	1 ¹ / ₃₂	C	1 ⁵ / ₁₆
D	10 ¹ / ₁₆	D	9 ¹ / ₁₆
d1	7 ¹ / ₄	d1	6 ³ / ₁₆
K	8 ¹ / ₄	K	7 ¹ / ₁₆
L	3/4	L	3/4
Z	5/16	Z	5/16

Dimensions and weight without obligation

Project Xylect-20182283
Block NSCF100-200/1100/L26UCC4 E4

Created by
Created on 1/11/2025

Last update 1/11/2025