

NSCF125-200/75/P46PCC4

Technical data

Company name
Contact
Phone number
e-mail address

Operating data						
1	Pumpe type	Single head pump		Fluid	Water, pure	
2	No. of pumps	1		Operating temperature t A	°F	39.2
3	Nominal flow	US g.p.m.	0	Max / Min Operating Temperature mech. Seal	°F	120 / -25
4	Nominal head	ft	0	pH-value at t A		7
5	Static head	ft	0	Density at t A	lb/ft ³	62.4
6	Inlet pressure	psi	0	Kin. viscosity at t A	ft ² /s	1.689E-5
7	Environmental temperature	°F	68	Vapor pressure at t A	psi	14.5
8	Available system NPSH	ft	0	Altitude		0

Pump data						
9	Lubrication	Standard, Grease lubrication [Std]				
10	Execution	Standard coupling				
11	Design	Horizontal				Impeller Ø
12	Operating speed	1746 rpm	Stages	1		Max. inch 8 7/8
13	Suction nozzle	DN150 / PN10/16 / EN1092-2				designed inch 6 1/2
14	Discharge nozzle	DN125 / PN10/16 / EN1092-2				Min. inch 6 1/2
15	Max. casing pressure	psi				Nominal US g.p.m.
16	Max. working pressure	psi	13.3			Max- US g.p.m. 1350.2
17	Impeller type	Radial impeller				Min- US g.p.m. 200.4
18	Head H(Q=0)	ft	31			Head
19	Max. shaft power	hp	9.7			Nominal ft
20	Pump weight	kg	246.9			at Qmax ft 17.9
21	Total weight	lb	595.5			at Qmin ft 30.2
						Shaft power hp
						Efficiency %
						NPSH 3% ft

Materials						
22		Pump			Shaft Seal	
23	Volute Casing	Cast Iron, EN 1561 - GJL-250, ASTM Class 35			Single mechanical seal, without shaft sleeve	
24	Impeller	Cast Iron, EN 1561 - GJL-200, ASTM Class 30			eMG12 - Ø38mm	BQ7EGG-WA
25	Casing Cover	Cast Iron, EN 1561 - GJL-250, ASTM Class 35			Mechanical seal diameter	1 1/2 inch
26	Shaft	Stainless steel, 1.4057, AISI 431			1. Rotating ring	Carbon graphite resin impregnated
27	Wear ring	Stainless steel, 1.4301, AISI 304			2. Stationary ring	SiC, silicon carbide, sintered press. less
28	Impeller lock nut and washer	A4 (1.4401)			3. Secondary seal	Ethylene propylene rubber (EPDM)
29	Impeller key	Stainless steel, 1.4571, AISI 316Ti			4. Springs	CrNiMo - Steel
30	Fill and drain plugs	Galvanized carbon steel, EN 10277-3, AISI 1213 / 1215			5. Others	EPDM - WRAS
31	Bearing bracket	Cast Iron, EN 1561 - GJL-250, ASTM Class 35			Gaskets of the pump	Ethylene propylene rubber (EPDM)
32						
33						
34						
35						
36						
37						
38						
39						
40						
41						

Motor data				Coupling			
Electrical and dimensional data refer to IE3 motor							
42	Manufacturer	Lowara		Manufacturer	Flender		
43	Specific design	IE3 3ph Surface Motor - Premium Efficiency		Series	Standard Coupling - N-EUPEX - Type B		
44	Type	PLM 132 B3 7,5 kW		Shaft diameter	Pump 1 1/4 inch	Motor 1 1/2 inch	
45	Rated power	10.058 hp	Rated current	15.4 A	Frame size	95	
46	Nominal speed	1746 rpm	Rated voltage	380 V	Spacer length	inch	3/16
47	Frame size	132	Service factor	1	Weight	lb	4.9
48	Weight	lb	142.9	Degree of protection	IP55	Coupling protection	GR.COUPLGUARD ES32-190-16 A4 3.9683 lb

Base plate			Remarks		
49	Name	BASEFRAME_NSC80-1_C00			
50	Weight	lb	196.9		

Project	Xylect-20182283	Created by		Last update	1/11/2025
Block	NSCF125-200/1100/L26UCC4 E4	Created on	1/11/2025		

NSCF125-200/75/P46PCC4

Performance curve

Company name
Contact
Phone number
e-mail address

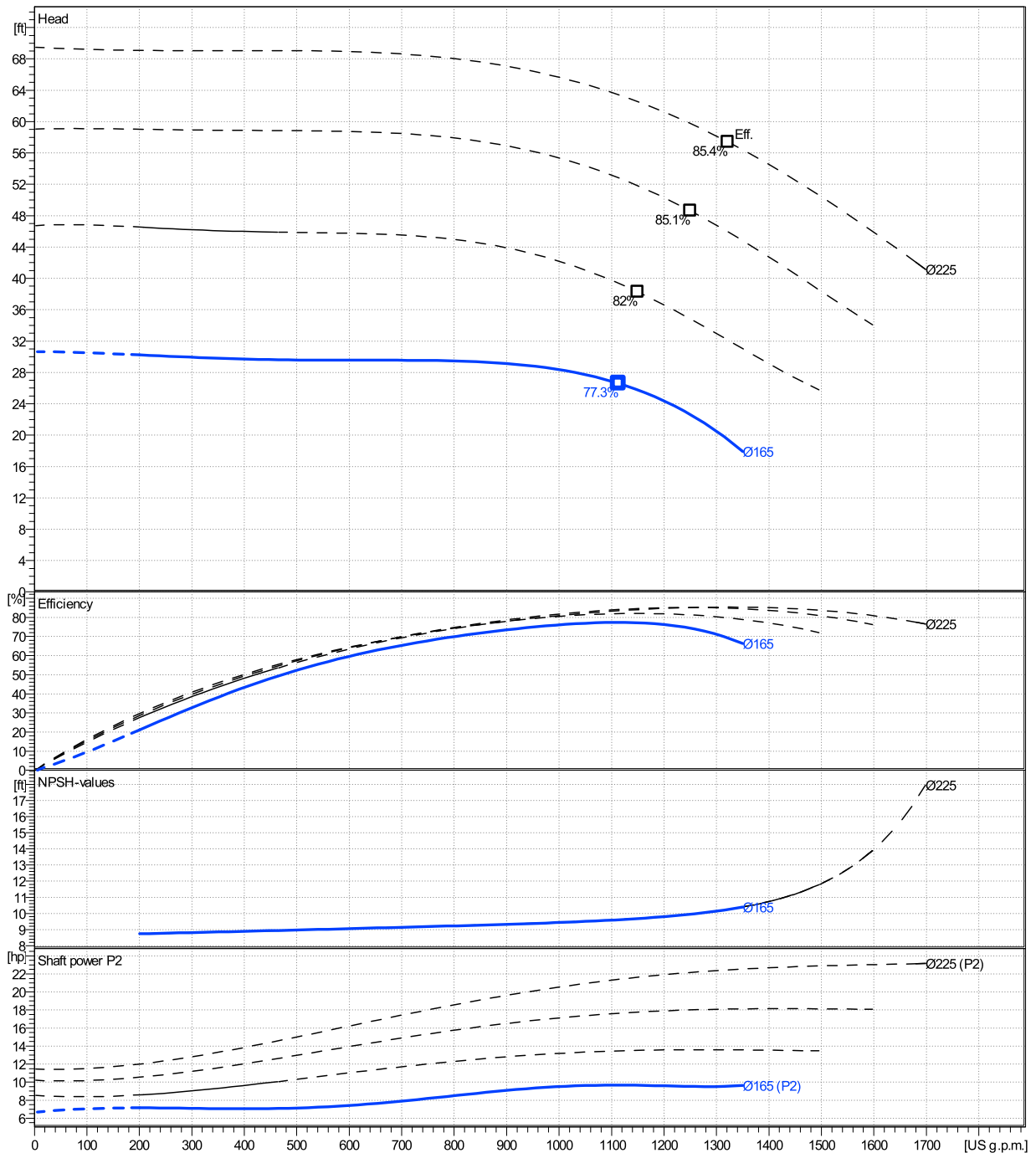
	Ø mm	Pump capacity			Pump head		Shaft power P2			Frequency	Hz	
		Operating range Min. US g.p.m.	Max. US g.p.m.	η Max. US g.p.m.	H(Q=0) ft	η Max. ft	P2(Q=0) hp	Max. hp	η Max. hp	Operating speed	rpm	
actual	6 1/2	200	1350	1110	30.6	26.6		9.67	9.67	Nominal flow	US g.p.m.	0
Min.	0	/	/	1110	30.6	26.6		/	9.67	Nominal head	ft	0
Max.	8 7/8	/	/	1320	69.5	57.4		/	22.4	Inlet pressure	psi	0
										Static head	ft	0

Power datas referred to:

hydr. Performance acceptance acc. To EN ISO 9906 Class Grade 3B

Water, pure [100%] ; 39.2°F; 62.4lb/ft³; 1.69E-5ft²/s

MEI: 0,66 - according to Ecodesign Directive 2009/125/EC and Regulation (EU) No.547/2012



NSCF125-200/75/P46PCC4

Dimensions

Company name
Contact
Phone number
e-mail address

Frame mounted
Standard coupling
PLM 132 B3 7,5 kW

Electrical and dimensional data refer to IE3 motor

Dimensions [inch]

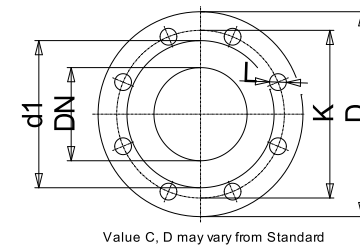
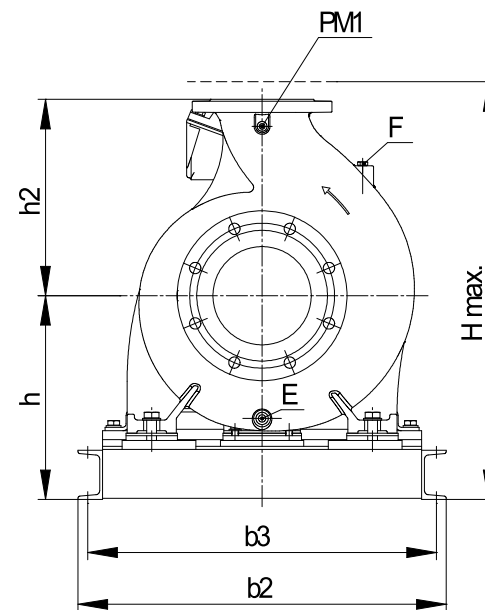
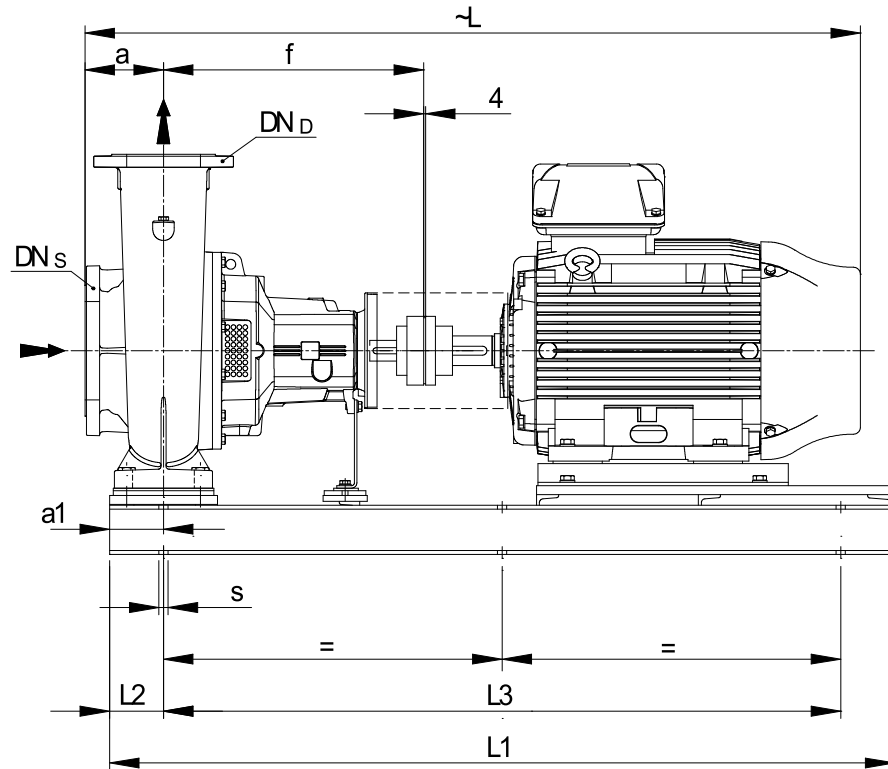
a	5 ¹ / ₂		
a1	4 ⁵ / ₁₆		
b2	26 ³ / ₈		
b3	24 ¹³ / ₁₆		
CTO			
DNd	4 ¹⁵ / ₁₆		
DNs	5 ⁷ / ₈		
E	3/8"		
F	3/8"		
f	18 ¹ / ₂		
Guard	6 ⁷ / ₁₆		
h	15 ³ / ₁₆		
h2	12 ³ / ₈		
Hmax	27 ⁹ / ₁₆		
L	43 ¹ / ₄		
L1	43 ⁵ / ₁₆		
L2	4 ⁵ / ₁₆		
L3	34 ⁵ / ₈		
PM1	1/4"		
s	6xØ19		
Trim			
Volumen	1 ¹ / ₃₂		

Weight

Total weight	270.1 kg
---------------------	-----------------

Connections

Suction nozzle		Discharge nozzle	
DN150		DN125	
PN10/16		PN10/16	
EN1092-2		EN1092-2	
C	1 ¹ / ₃₂	C	1 ¹ / ₃₂
D	11 ¹ / ₄	D	10 ¹ / ₁₆
d1	8 ⁵ / ₁₆	d1	7 ¹ / ₄
K	9 ⁷ / ₁₆	K	8 ¹ / ₄
L	7 ⁷ / ₈	L	3 ³ / ₄
Z	5 ⁵ / ₁₆	Z	5 ⁵ / ₁₆



Value C, D may vary from Standard

Note:
Weight and Dimensions of selected Hydrovar are NOT considered.
Please refer to additional datasheet.

Dimensions and weight without obligation

Project	Xylect-20182283	Created by		Last update	1/11/2025
Block	NSCF125-200/1100/L26UCC4 E4	Created on	1/11/2025		