

# NSCF150-200/300/L46UCC4

## Technical data

Company name  
Contact  
Phone number  
e-mail address

| Operating data |                           |                  |    |  |                             |
|----------------|---------------------------|------------------|----|--|-----------------------------|
| 1              | Pumpe type                | Single head pump |    | Fluid                                      | Water, pure                 |
| 2              | No. of pumps              | 1                |    | Operating temperature at A                 | °F 39.2                     |
| 3              | Nominal flow              | US g.p.m.        | 0  | Max / Min Operating Temperature mech. Seal | °F 120 / -25                |
| 4              | Nominal head              | ft               | 0  | pH-value at t A                            | 7                           |
| 5              | Static head               | ft               | 0  | Density at t A                             | lb/ft <sup>3</sup> 62.4     |
| 6              | Inlet pressure            | psi              | 0  | Kin. viscosity at t A                      | ft <sup>2</sup> /s 1.689E-5 |
| 7              | Environmental temperature | °F               | 68 | Vapor pressure at t A                      | psi 14.5                    |
| 8              | Available system NPSH     | ft               | 0  | Altitude                                   | 0                           |

| Pump data |                       |                                    |           |         |            |
|-----------|-----------------------|------------------------------------|-----------|---------|------------|
| 9         | Lubrication           | Standard, Grease lubrication [Std] |           |         |            |
| 10        | Execution             | Standard coupling                  |           |         |            |
| 11        | Design                | Horizontal                         |           |         |            |
| 12        | Operating speed       | 1764 rpm                           | Stages    | 1       |            |
| 13        | Suction nozzle        | DN200                              | /         | PN16    | / EN1092-2 |
| 14        | Discharge nozzle      | DN150                              | /         | PN10/16 | / EN1092-2 |
| 15        | Max. casing pressure  | psi                                |           |         |            |
| 16        | Max. working pressure | psi                                | 33.9      |         |            |
| 17        | Impeller type         | Radial impeller                    |           |         |            |
| 18        | Head H(Q=0)           | ft                                 | 78        |         |            |
| 19        | Max. shaft power      | hp                                 | 33.6      |         |            |
| 20        | Pump weight           | kg                                 | 366       |         |            |
| 21        | Total weight          | lb                                 | On demand |         |            |

|  |                   | Impeller Ø |        | Flow |  | Head |  | Shaft power |  | Efficiency |  | NPSH 3% |  |
|--|-------------------|------------|--------|------|--|------|--|-------------|--|------------|--|---------|--|
|  | Max.              | inch       | 9 5/16 |      |  |      |  |             |  |            |  |         |  |
|  | designed          | inch       | 9 5/16 |      |  |      |  |             |  |            |  |         |  |
|  | Min.              | inch       | 7 1/2  |      |  |      |  |             |  |            |  |         |  |
|  | Nominal US g.p.m. |            |        |      |  |      |  |             |  |            |  |         |  |
|  | Max-              | US g.p.m.  | 2720.5 |      |  |      |  |             |  |            |  |         |  |
|  | Min-              | US g.p.m.  | 307.2  |      |  |      |  |             |  |            |  |         |  |
|  | Nominal           |            |        | ft   |  |      |  |             |  |            |  |         |  |
|  | at Qmax           |            |        | ft   |  | 34.4 |  |             |  |            |  |         |  |
|  | at Qmin           |            |        | ft   |  | 76   |  |             |  |            |  |         |  |
|  | Shaft power       |            |        | hp   |  |      |  |             |  |            |  |         |  |
|  | Efficiency        |            |        | %    |  |      |  |             |  |            |  |         |  |
|  | NPSH 3%           |            |        | ft   |  |      |  |             |  |            |  |         |  |

| Materials |                              |   |            |  |  |   |
|-----------|------------------------------|---|------------|--|--|---|
| Pump      |                              |   | Shaft Seal |  |  |   |
| 23        | Volute Casing                | Cast Iron, EN 1561 - GJL-250, ASTM Class 35           |            |  | Single mechanical seal, without shaft sleeve |   |
| 24        | Impeller                     | Cast Iron, EN 1561 - GJL-200, ASTM Class 30           |            |  | eMG12 - Ø38mm                                | BQ7EGG-WA                                 |
| 25        | Casing Cover                 | Cast Iron, EN 1561 - GJL-250, ASTM Class 35           |            |  | Mechanical seal diameter                     | 1 1/2 inch                                |
| 26        | Shaft                        | Stainless steel, 1.4057, AISI 431                     |            |  | 1. Rotating ring                             | Carbon graphite resin impregnated         |
| 27        | Wear ring                    | Stainless steel, 1.4301, AISI 304                     |            |  | 2. Stationary ring                           | SiC, silicon carbide, sintered press.less |
| 28        | Impeller lock nut and washer | A4 (1.4401)   |            |  | 3. Secondary seal                            | Ethylene propylene rubber (EPDM)          |
| 29        | Impeller key                 | Stainless steel, 1.4571, AISI 316Ti                   |            |  | 4. Springs                                   | CrNiMo - Steel                            |
| 30        | Fill and drain plugs         | Galvanized carbon steel, EN 10277-3, AISI 1213 / 1215 |            |  | 5. Others                                    | EPDM - WRAS                               |
| 31        | Bearing bracket              | Cast Iron, EN 1561 - GJL-250, ASTM Class 35           |            |  | Gaskets of the pump                          | Ethylene propylene rubber (EPDM)          |
| 32        |                              |   |            |  |  |   |
| 33        |                              |   |            |  |  |   |
| 34        |                              |   |            |  |  |   |
| 35        |                              |   |            |  |  |   |
| 36        |                              |   |            |  |  |   |
| 37        |                              |   |            |  |  |   |
| 38        |                              |   |            |  |  |   |
| 39        |                              |   |            |  |  |   |
| 40        |                              |   |            |  |  |   |
| 41        |                              |   |            |  |  |   |

| Motor data |                 |  |                      | Electrical and dimensional data refer to IE3 motor |  |                     |                                      | Coupling          |           |  |  |
|------------|-----------------|--|----------------------|--|--|---------------------|--------------------------------------|-------------------|-----------|--|--|
| 42         | Manufacturer    | Lowara                                     |                      |  |  | Manufacturer        | Flender                              |                   |           |  |  |
| 43         | Specific design | IE3 3ph Surface Motor - Premium Efficiency |                      |  |  | Series              | Standard Coupling - N-EUPEX - Type B |                   |           |  |  |
| 44         | Type            | 3MAS 200 L B3 30 kW                        |                      |  |  | Shaft diameter      | Pump 1 1/4 inch                      | Motor 2 3/16 inch |           |  |  |
| 45         | Rated power     | 40.231 hp                                  | Rated current        | 55.7 A   |  | Frame size          | 125                                  |                   |           |  |  |
| 46         | Nominal speed   | 1764 rpm                                   | Rated voltage        | 380 V  |  | Spacer length       | inch                                 | 3/16              |           |  |  |
| 47         | Frame size      | 200 L                                      | Service factor       | 1  |  | Weight              | lb                                   | 11.5              |           |  |  |
| 48         | Weight          | lb 456.6                                   | Degree of protection | IP55   |  | Coupling protection | GR.COUPLGUARD ES32-190-16 A4         |                   | 3.9683 lb |  |  |

| Base plate |        |             | Remarks |  |  |
|------------|--------|-------------|---------|--|--|
| 49         | Name   | FRAME - N/A |         |  |  |
| 50         | Weight | lb          | 0.0     |  |  |

# NSCF150-200/300/L46UCC4

## Performance curve

Company name  
Contact  
Phone number  
e-mail address

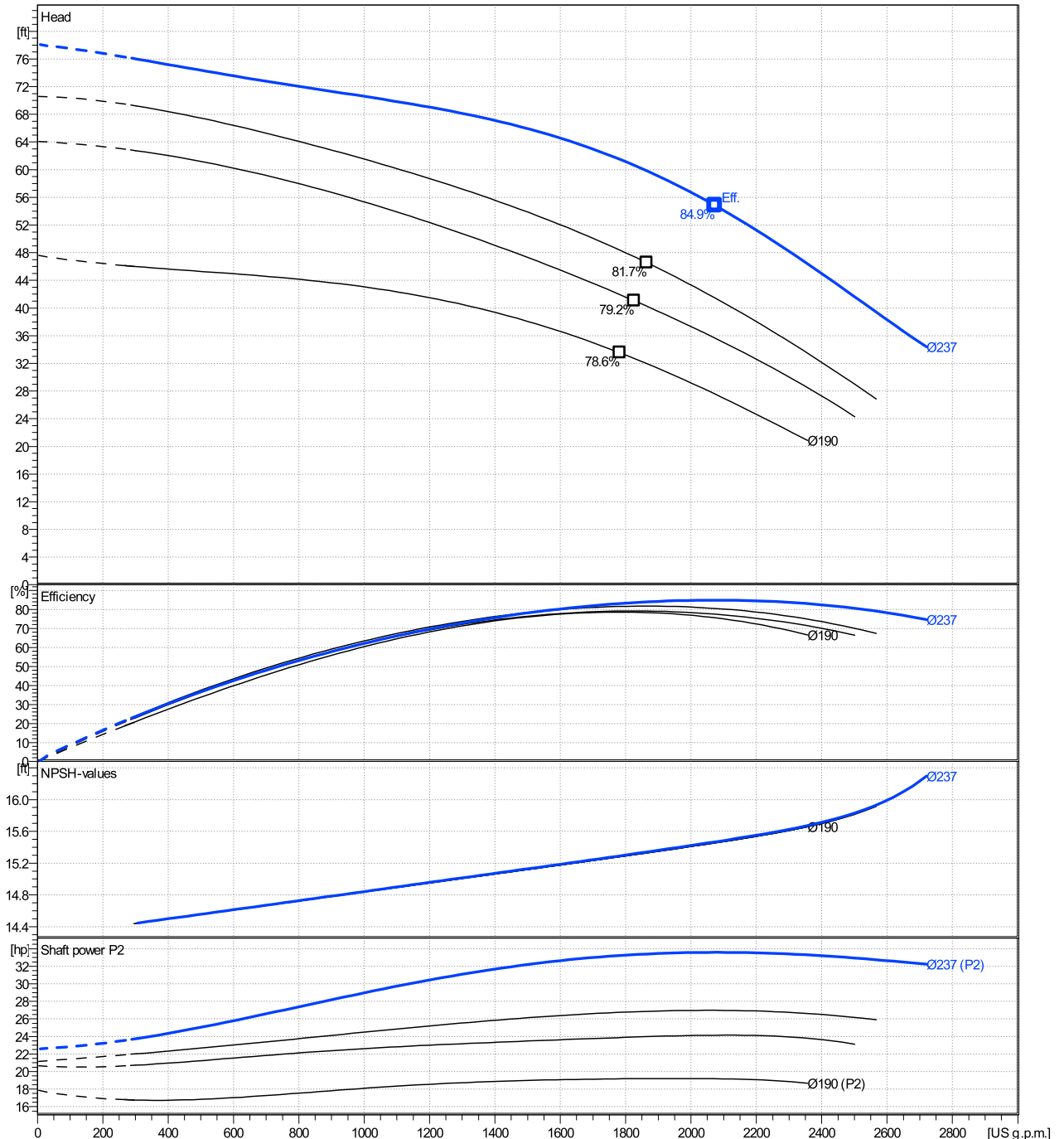
|        | Ø<br>mm | Pump capacity<br>Operating range<br>η |                   |                   | Pump head<br>H(Q=0)<br>η |      | Shaft power P2<br>P2(Q=0)<br>η |            |         | Frequency<br>Hz |           |
|--------|---------|---------------------------------------|-------------------|-------------------|--------------------------|------|--------------------------------|------------|---------|-----------------|-----------|
|        |         | Min.<br>US g.p.m.                     | Max.<br>US g.p.m. | Max.<br>US g.p.m. | ft                       | ft   | hp                             | Max.<br>hp | η<br>hp | rpm             |           |
| actual | 9 5/16  | 307                                   | 2720              | 2070              | 78.1                     | 54.8 |                                | 33.6       | 33.6    | 60              | 1764      |
| Min.   | 0       | /                                     | /                 | 1780              | 47.6                     | 33.5 |                                | /          | 19.2    |                 | 0         |
| Max.   | 9 5/16  | /                                     | /                 | 2070              | 78.1                     | 54.8 |                                | /          | 33.6    |                 | 0         |
|        |         |                                       |                   |                   |                          |      |                                |            |         | Nominal flow    | US g.p.m. |
|        |         |                                       |                   |                   |                          |      |                                |            |         | Nominal head    | ft        |
|        |         |                                       |                   |                   |                          |      |                                |            |         | Inlet pressure  | psi       |
|        |         |                                       |                   |                   |                          |      |                                |            |         | Static head     | ft        |

**Power datas referred to:**

hydr. Performance acceptance acc. To EN ISO 9906 Class Grade 3B

Water, pure [100%] ; 39.2°F; 62.4lb/ft³; 1.69E-5ft²/s

MEI: 0,69 - according to Ecodesign Directive 2009/125/EC and Regulation (EU) No.547/2012



# NSCF150-200/300/L46UCC4

## Dimensions

Company name  
Contact  
Phone number  
e-mail address

Frame mounted  
Standard coupling  
3MAS 200 L B3 30 kW

Electrical and dimensional data refer to IE3 motor

### Dimensions [ inch ]

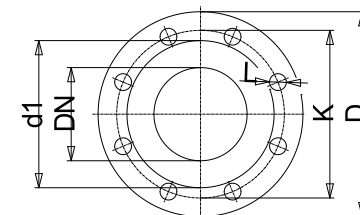
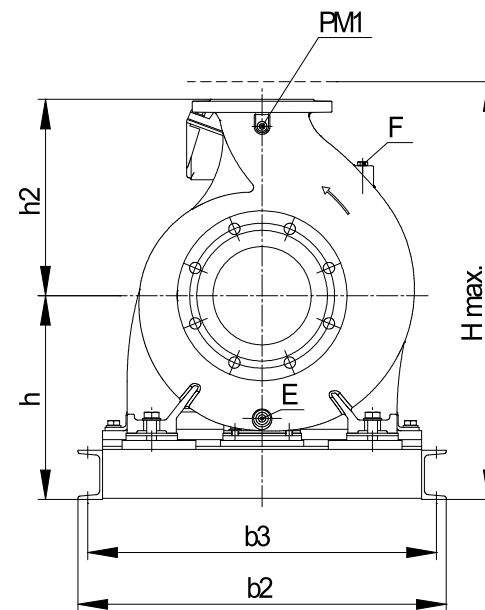
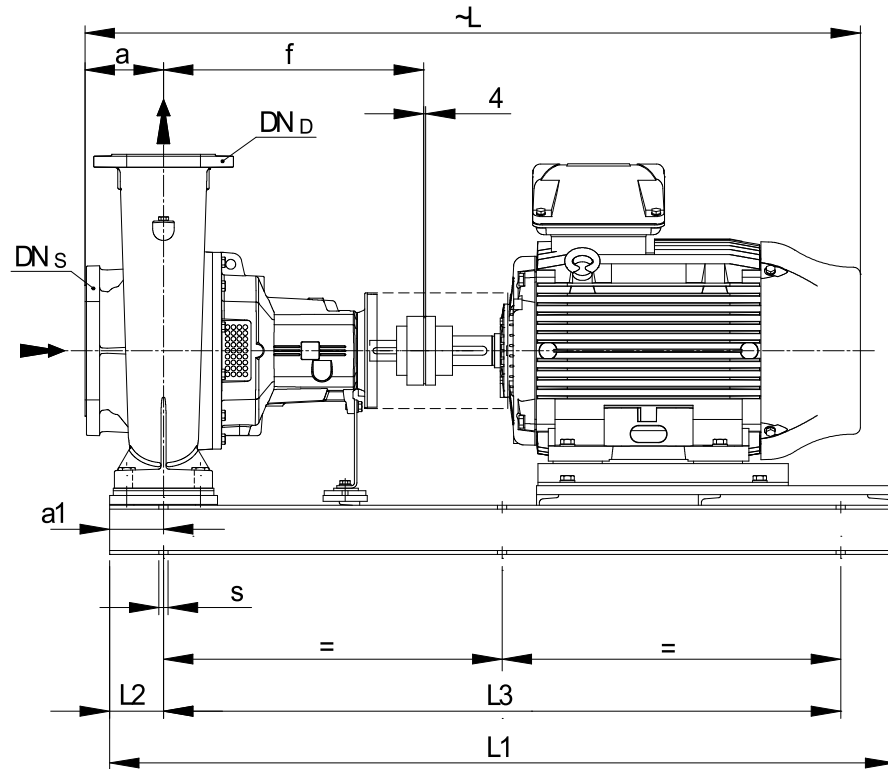
|       |                                |  |  |
|-------|--------------------------------|--|--|
| a     | 6 <sup>5</sup> / <sub>16</sub> |  |  |
| a1    |                                |  |  |
| b2    |                                |  |  |
| b3    |                                |  |  |
| CTO   |                                |  |  |
| DNd   | 5 <sup>7</sup> / <sub>8</sub>  |  |  |
| DNs   | 7 <sup>7</sup> / <sub>8</sub>  |  |  |
| E     | 3/8"                           |  |  |
| F     | 3/8"                           |  |  |
| f     | 18 <sup>1</sup> / <sub>2</sub> |  |  |
| Guard | 7 <sup>5</sup> / <sub>8</sub>  |  |  |
| h2    | 15 <sup>3</sup> / <sub>4</sub> |  |  |
| L1    |                                |  |  |
| L2    |                                |  |  |
| L3    |                                |  |  |
| PM1   | 1/4"                           |  |  |
| s     | on request                     |  |  |
| Trim  |                                |  |  |

### Weight

|                     |                     |
|---------------------|---------------------|
| <b>Total weight</b> | <b>On demand kg</b> |
|---------------------|---------------------|

### Connections

| Suction nozzle |                                 | Discharge nozzle |                                |
|----------------|---------------------------------|------------------|--------------------------------|
| DN200          |                                 | DN150            |                                |
| PN16           |                                 | PN10/16          |                                |
| EN1092-2       |                                 | EN1092-2         |                                |
| C              | 1 <sup>3</sup> / <sub>16</sub>  | C                | 1 <sup>1</sup> / <sub>32</sub> |
| D              | 13 <sup>9</sup> / <sub>16</sub> | D                | 11 <sup>1</sup> / <sub>4</sub> |
| d1             | 10 <sup>1</sup> / <sub>2</sub>  | d1               | 8 <sup>5</sup> / <sub>16</sub> |
| K              | 11 <sup>5</sup> / <sub>8</sub>  | K                | 9 <sup>7</sup> / <sub>16</sub> |
| L              | 7 <sup>7</sup> / <sub>8</sub>   | L                | 7 <sup>7</sup> / <sub>8</sub>  |
| Z              | 1/2                             | Z                | 5 <sup>1</sup> / <sub>16</sub> |



Value C, D may vary from Standard

### Dimensions and weight without obligation

|         |                         |
|---------|-------------------------|
| Project | Xylect-20182283         |
| Block   | NSCF150-200/300/L46UCC4 |

Created by  
Created on 1/11/2025

Last update 1/11/2025