

NSCF150-500/2000/L46UDC4 E4

Technical data

Company name
Contact
Phone number
e-mail address

Operating data					
1	Pumpe type	Single head pump		Fluid	Water, pure
2	No. of pumps	1		Operating temperature at t A	°F 39.2
3	Nominal flow	US g.p.m.	0	Max / Min Operating Temperature mech. Seal	°F 120 / -25
4	Nominal head	ft	0	pH-value at t A	7
5	Static head	ft	0	Density at t A	lb/ft³ 62.4
6	Inlet pressure	psi	0	Kin. viscosity at t A	ft²/s 1.689E-5
7	Environmental temperature	°F	68	Vapor pressure at t A	psi 14.5
8	Available system NPSH	ft	0	Altitude	0

Pump data					
9	Lubrication	Advanced, Grease lubrication [Std]			
10	Execution	Standard coupling			
11	Design	Horizontal			
12	Operating speed	1788 rpm	Stages	1	
13	Suction nozzle	DN200	/	PN16	/ EN1092-2
14	Discharge nozzle	DN150	/	PN10/16	/ EN1092-2
15	Max. casing pressure	psi			
16	Max. working pressure	psi	146.3		
17	Impeller type	Radial impeller			
18	Head H(Q=0)	ft	340		
19	Max. shaft power	hp	259.7		
20	Pump weight	kg	899.5		
21	Total weight	lb	On demand		

		Impeller Ø		Flow		Head		Shaft power		Efficiency	
	Max.	inch	19 3/4								
	designed	inch	17 3/4								
	Min.	inch	16 9/16								
			Nominal US g.p.m.								
	Max-	US g.p.m.	3166.6								
	Min-	US g.p.m.	389								
			Nominal								
			at Qmax								
			ft 197								
			at Qmin								
			ft 338.7								

Materials						
22	Pump			Shaft Seal		
23	Volute Casing	Ductile Iron, EN-GJS-400-15, ASTM A536 40-60-18			Single mechanical seal, without shaft sleeve	
24	Impeller	Cast Iron, EN 1561 - GJL-200, ASTM Class 30			eMG12 - Ø70mm	BQ7EGG-WA
25	Casing Cover	Ductile Iron, EN-GJS-400-15, ASTM A536 40-60-18			Mechanical seal diameter	
26	Shaft	Stainless steel, 1.4057, AISI 431			1. Rotating ring	Carbon graphite resin impregnated
27	Wear ring	Stainless steel, 1.4301, AISI 304			2. Stationary ring	SiC, silicon carbide, sintered press. less
28	Impeller lock nut and washer	A4 (1.4401)			3. Secondary seal	Ethylene propylene rubber (EPDM)
29	Impeller key	Stainless steel, 1.4571, AISI 316Ti			4. Springs	CrNiMo - Steel
30	Fill and drain plugs	Galvanized carbon steel, EN 10277-3, AISI 1213 / 1215			5. Others	EPDM - WRAS
31	Bearing bracket	Cast Iron, EN 1561 - GJL-250, ASTM Class 35			Gaskets of the pump	
32					Ethylene propylene rubber (EPDM)	
33						
34						
35						
36						
37						
38						
39						
40						
41						

Motor data				Coupling			
42	Manufacturer	Lowara		Manufacturer	Flender		
43	Specific design	IE4 3ph Surface Motor - Super Premium Efficiency		Series	Standard Coupling - N-EUPEX - Type B		
44	Type	3MGS 315 M B3 200 kW E4		Shaft diameter	Pump 2 3/8 inch	Motor 3 1/8 inch	
45	Rated power	268.2 hp	Rated current	358 A	Frame size	200	
46	Nominal speed	1788 rpm	Rated voltage	380 V	Spacer length	inch	3/16
47	Frame size	315 M	Service factor	1	Weight	lb	35.3
48	Weight	lb 2,815.3	Degree of protection	IP55	Coupling protection	GR.COUPLGUARD ES60-310-23 A4 7.716 lb	

Base plate			Remarks		
49	Name	FRAME 60NSC80A-400-315			
50	Weight	lb	521.4		

NSCF150-500/2000/L46UDC4 E4

Performance curve

Company name
Contact
Phone number
e-mail address

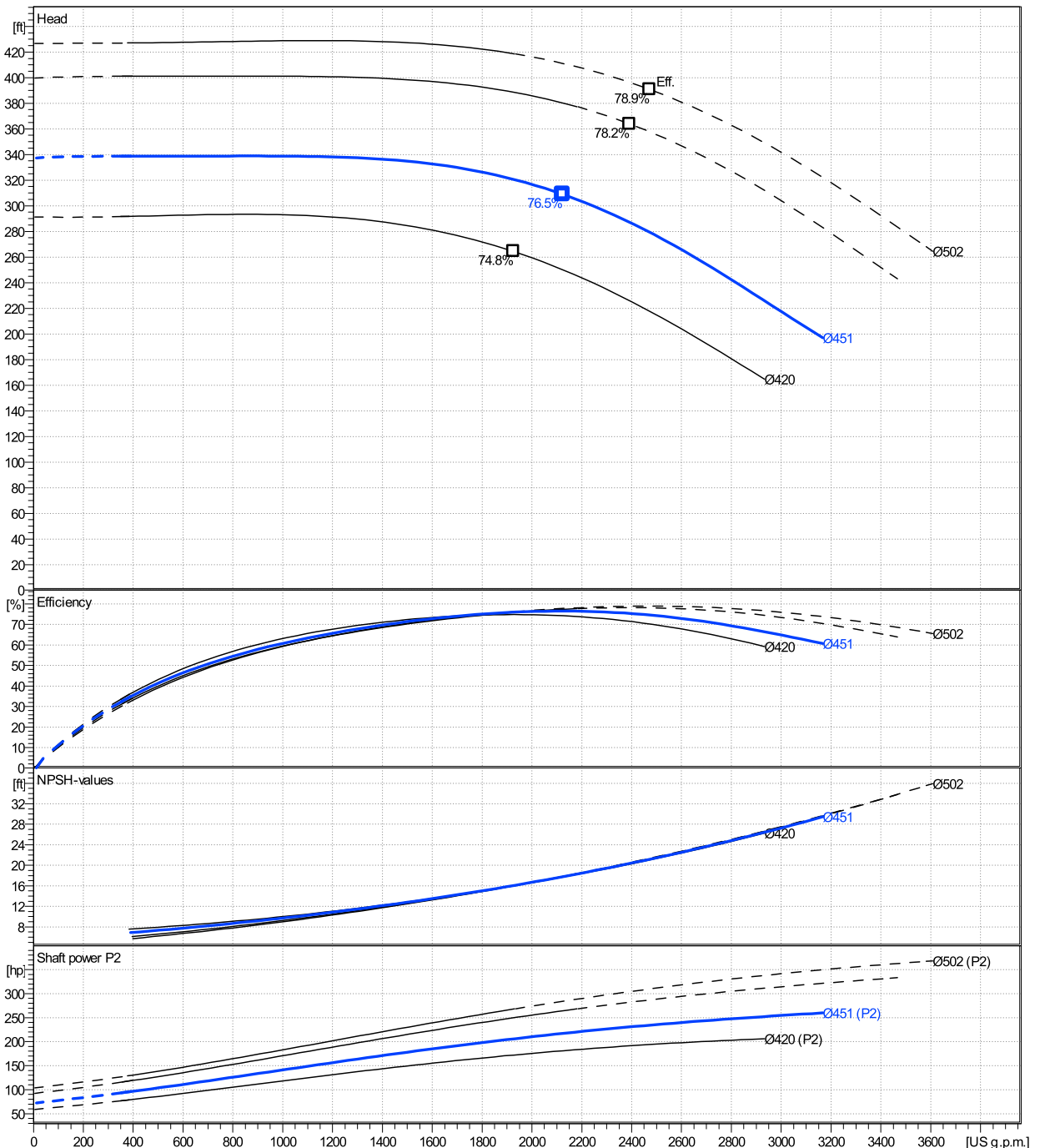
	Ø mm	Pump capacity Operating range η			Pump head H(Q=0) η		Shaft power P2 P2(Q=0) Max. η			Frequency	Hz	60
		Min. US g.p.m.	Max. US g.p.m.	Max. US g.p.m.	H(Q=0) ft	η ft	P2(Q=0) hp	Max. hp	η hp	Operating speed	rpm	1788
actual	17 3/4	389	3170	2120	337	309	260	217		Nominal flow	US g.p.m.	0
Min.	0	/	/	1930	291	264	/	172		Nominal head	ft	0
Max.	19 3/4	/	/	2470	427	391	/	310		Inlet pressure	psi	0
										Static head	ft	0

Power datas referred to:

hydr. Performance acceptance acc. To EN ISO 9906 Class Grade 3B

Water, pure [100%] ; 39.2°F; 62.4lb/ft³; 1.69E-5ft²/s

MEI: N.A - according to Ecodesign Directive 2009/125/EC and Regulation (EU) No.547/2012



NSCF150-500/2000/L46UDC4 E4

Dimensions

Company name
Contact
Phone number
e-mail address

Frame mounted
Standard coupling
3MGS 315 M B3 200 kW E4

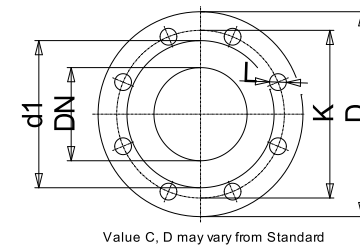
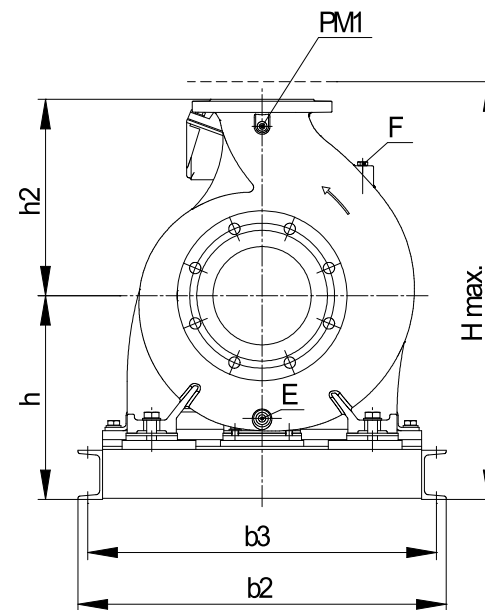
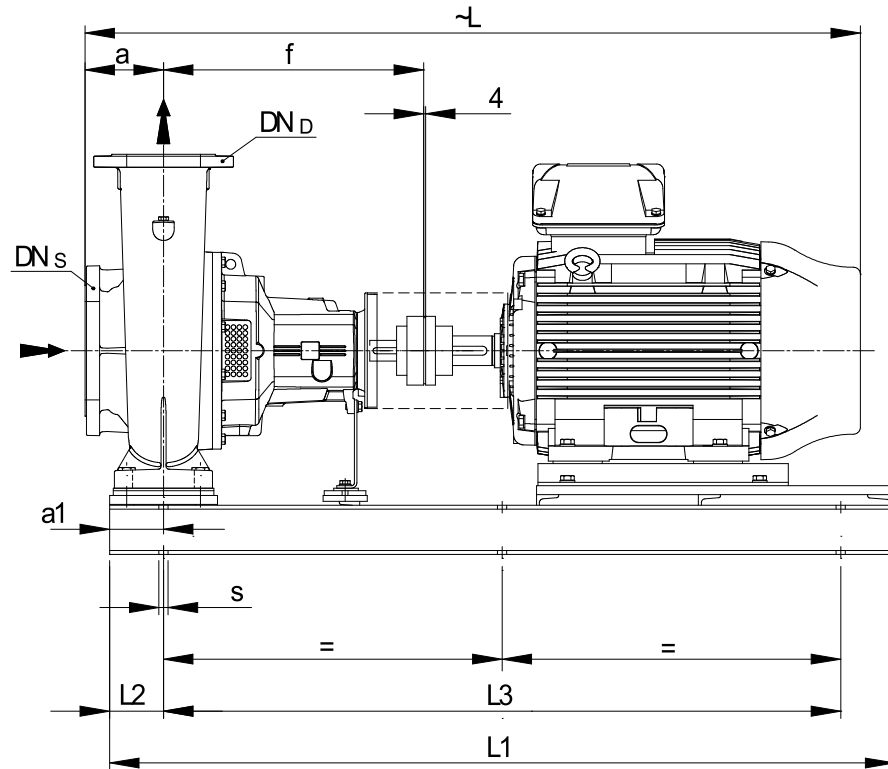
Electrical and dimensional data refer to IE4 motor

Dimensions [inch]

a	7 ¹ / ₁₆		
a1	6 ¹ / ₂		
b2	33 ⁷ / ₈		
b3	31 ⁷ / ₈		
CTO			
DNd	5 ⁷ / ₈		
DNs	7 ⁷ / ₈		
E	3/8"		
F	3/8"		
f	30 ³ / ₁₆		
Guard	12 ³ / ₈		
h	23 ¹ / ₁₆		
h2	19 ¹¹ / ₁₆		
Hmax	43 ¹¹ / ₁₆		
L1	78 ³ / ₄		
L2	6 ¹ / ₂		
L3	65 ³ / ₄		
PM1	1/4"		
s	6xØ26		
Trim			
Volumen	1/16		

Weight	
Total weight	On demand kg

Connections			
Suction nozzle		Discharge nozzle	
DN200		DN150	
PN16		PN10/16	
EN1092-2		EN1092-2	
C	1 ³ / ₁₆	C	1 ¹ / ₃₂
D	13 ⁹ / ₁₆	D	11 ¹ / ₄
d1	10 ¹ / ₂	d1	8 ⁵ / ₁₆
K	11 ⁵ / ₈	K	9 ⁷ / ₁₆
L	7 ⁷ / ₈	L	7 ⁷ / ₈
Z	1/2	Z	5 ⁵ / ₁₆



Value C, D may vary from Standard

Dimensions and weight without obligation

Project	Xylect-20182283	Created by		Last update	1/11/2025
Block	NSCF150-500/3150/L46UDC4	Created on	1/11/2025		