

NSCF200-500/1100/L66UDC4 E4

Technical data

Company name
Contact
Phone number
e-mail address

Operating data					
1	Pumpe type	Single head pump		Fluid	Water, pure
2	No. of pumps	1		Operating temperature t A	°F 39.2
3	Nominal flow	US g.p.m.	0	Max / Min Operating Temperature mech. Seal	°F 120 / -25
4	Nominal head	ft	0	pH-value at t A	7
5	Static head	ft	0	Density at t A	lb/ft ³ 62.4
6	Inlet pressure	psi	0	Kin. viscosity at t A	ft ² /s 1.689E-5
7	Environmental temperature	°F	68	Vapor pressure at t A	psi 14.5
8	Available system NPSH	ft	0	Altitude	0

Pump data					
9	Lubrication	Advanced, Grease lubrication [Std]			
10	Execution	Standard coupling			
11	Design	Horizontal			
12	Operating speed	1188 rpm	Stages	1	
13	Suction nozzle	DN250	/	PN16	/ EN1092-2
14	Discharge nozzle	DN200	/	PN16	/ EN1092-2
15	Max. casing pressure	psi			
16	Max. working pressure	psi	78.9		
17	Impeller type	Radial impeller			
18	Head H(Q=0)	ft	180		
19	Max. shaft power	hp	144.4		
20	Pump weight	kg	881.8		
21	Total weight	lb	On demand		

		Impeller Ø		Flow		Head		Shaft power		Efficiency	
	Max.	inch	20 9/16								
	designed	inch	19 5/16								
	Min.	inch	17 1/16								
			Nominal US g.p.m.								
	Max-	US g.p.m.	3588.6								
	Min-	US g.p.m.	558.4								
			Nominal								
			at Qmax								
			ft 100.1								
			at Qmin								
			ft 182.1								
			hp								
			%								
			ft								

Materials						
Pump			Shaft Seal			
22						
23	Volute Casing	Ductile Iron, EN-GJS-400-15, ASTM A536 40-60-18		Single mechanical seal, without shaft sleeve		
24	Impeller	Cast Iron, EN 1561 - GJL-200, ASTM Class 30		eMG12 - Ø70mm		BQ7EGG-WA
25	Casing Cover	Ductile Iron, EN-GJS-400-15, ASTM A536 40-60-18		Mechanical seal diameter		
26	Shaft	Stainless steel, 1.4057, AISI 431		1. Rotating ring		
27	Wear ring	Stainless steel, 1.4301, AISI 304		2. Stationary ring		
28	Impeller lock nut and washer	A4 (1.4401)		3. Secondary seal		
29	Impeller key	Stainless steel, 1.4571, AISI 316Ti		4. Springs		
30	Fill and drain plugs	Galvanized carbon steel, EN 10277-3, AISI 1213 / 1215		5. Others		
31	Bearing bracket	Cast Iron, EN 1561 - GJL-250, ASTM Class 35		Gaskets of the pump		
32						
33						
34						
35						
36						
37						
38						
39						
40						
41						

Motor data				Electrical and dimensional data refer to IE4 motor				Coupling		
42	Manufacturer	Lowara		Manufacturer		Flender				
43	Specific design	IE4 3ph Surface Motor - Super Premium Efficiency		Series		Standard Coupling - N-EUPEX - Type B				
44	Type	3MGS 315 M B3 110 kW E4		Shaft diameter		Pump 2 3/8 inch	Motor 3 1/8 inch			
45	Rated power	147.51 hp	Rated current	204 A		Frame size		200		
46	Nominal speed	1188 rpm	Rated voltage	380 V		Spacer length		inch	3/16	
47	Frame size	315 M		Service factor		1		Weight		
48	Weight	lb	2,242.5	Degree of protection		IP55		Coupling protection		
								GR.COUPLGUARD ES60-310-23 A4 7.716 lb		

Base plate			Remarks		
49	Name	FRAME 60NSC80A-450-315			
50	Weight	lb	571.6		

NSCF200-500/1100/L66UDC4 E4

Performance curve

Company name
Contact
Phone number
e-mail address

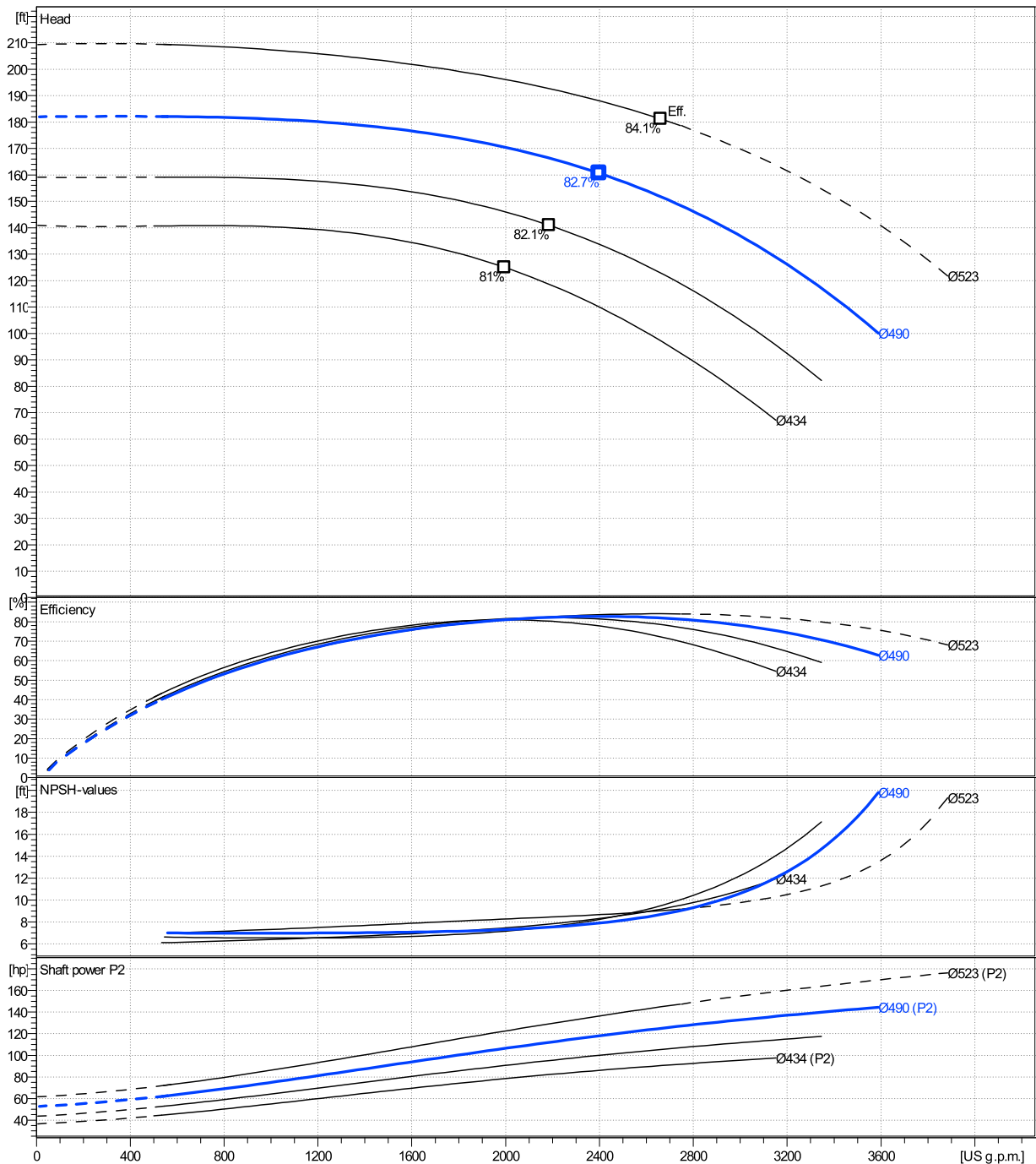
	Ø mm	Pump capacity Operating range η			Pump head H(Q=0) η		Shaft power P2 P2(Q=0) η			Frequency	Hz	
		Min. US g.p.m.	Max. US g.p.m.	Max. US g.p.m.	ft	ft	hp	hp	hp	Operating speed	rpm	
actual	19 5/16	558	3590	2400	182	161	144	118	Nominal flow	US g.p.m.	0	
Min.	0	/	/	2000	141	125	/	78.3	Nominal head	ft	0	
Max.	20 9/16	/	/	2660	209	181	/	145	Inlet pressure	psi	0	
									Static head	ft	0	

Power datas referred to:

hydr. Performance acceptance acc. To EN ISO 9906 Class Grade 2B

Water, pure [100%] ; 39.2°F; 62.4lb/ft³; 1.69E-5ft²/s

MEI: N.A - according to Ecodesign Directive 2009/125/EC and Regulation (EU) No.547/2012



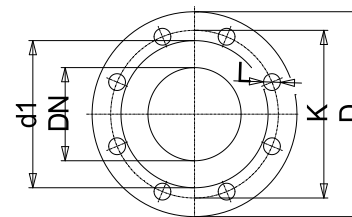
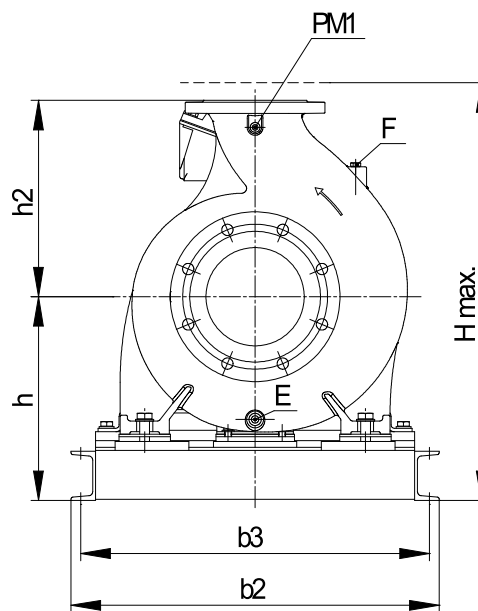
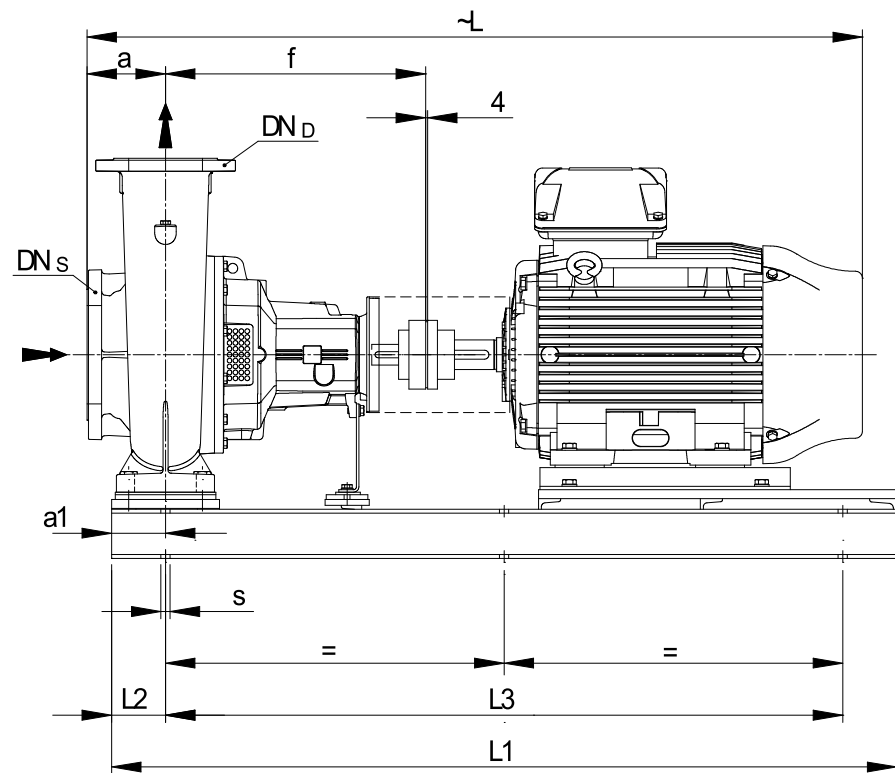
NSCF200-500/1100/L66UDC4 E4

Dimensions

Company name
Contact
Phone number
e-mail address

Frame mounted
Standard coupling
3MGS 315 M B3 110 kW E4

Electrical and dimensional data refer to IE4 motor



Value C, D may vary from Standard

Dimensions		[inch]	
a	7 ⁷ / ₈		
a1	6 ¹ / ₂		
b2	33 ⁷ / ₈		
b3	31 ⁷ / ₈		
CTO			
DNd	7 ⁷ / ₈		
DNs	9 ¹³ / ₁₆		
E	1/2"		
F	-		
f	30 ⁵ / ₁₆		
Guard	12 ³ / ₈		
h	25		
h2	22 ¹ / ₁₆		
Hmax	47 ¹ / ₁₆		
L1	78 ³ / ₄		
L2	6 ¹ / ₂		
L3	65 ³ / ₄		
PM1	1/2"		
s	6xØ26		
Trim			
Volumen	1/16		

Weight	
Total weight	On demand kg

Connections			
Suction nozzle		Discharge nozzle	
DN250		DN200	
PN16		PN16	
EN1092-2		EN1092-2	
C	1 ¹ / ₄	C	1 ³ / ₁₆
D	15 ¹⁵ / ₁₆	D	13 ⁹ / ₁₆
d1	12 ⁹ / ₁₆	d1	10 ¹ / ₂
K	14	K	11 ⁵ / ₈
L	1 ¹ / ₈	L	7 ⁷ / ₈
z	1/2	z	1/2

Dimensions and weight without obligation

Project Xylect-20182283
Block NSCF200-500/3550/L46UDC4

Created by
Created on 1/11/2025

Last update 1/11/2025