

NSCF250-500/3150/L46UDC4

Technical data

Company name
Contact
Phone number
e-mail address

Operating data						
1	Pumpe type	Single head pump		Fluid	Water, pure	
2	No. of pumps	1		Operating temperature t A	°F	39.2
3	Nominal flow	US g.p.m.	0	Max / Min Operating Temperature mech. Seal	°F	120 / -25
4	Nominal head	ft	0	pH-value at t A		7
5	Static head	ft	0	Density at t A	lb/ft ³	62.4
6	Inlet pressure	psi	0	Kin. viscosity at t A	ft ² /s	1.689E-5
7	Environmental temperature	°F	68	Vapor pressure at t A	psi	14.5
8	Available system NPSH	ft	0	Altitude		0

Pump data						
9	Lubrication	Advanced, Grease lubrication [Std]				
10	Execution	Standard coupling				
11	Design	Horizontal				Impeller Ø
12	Operating speed	1788 rpm	Stages	1		Max. inch 18 1/4
13	Suction nozzle	DN300 / PN16 / EN1092-2				designed inch 17 3/16
14	Discharge nozzle	DN250 / PN16 / EN1092-2				Min. inch 16 3/4
15	Max. casing pressure	psi				Nominal US g.p.m.
16	Max. working pressure	psi	136.1			Max- US g.p.m. 5927.4
17	Impeller type	Radial impeller				Min- US g.p.m. 1517.1
18	Head H(Q=0)	ft	310			Nominal ft
19	Max. shaft power	hp	413			at Qmax ft 182.7
20	Pump weight	kg	994.3			at Qmin ft 316
21	Total weight	lb	On demand			Shaft power hp
						Efficiency %
						NPSH 3% ft

Materials						
22		Pump			Shaft Seal	
23	Volute Casing	Ductile Iron, EN-GJS-400-15, ASTM A536 40-60-18			Single mechanical seal, without shaft sleeve	
24	Impeller	Cast Iron, EN 1561 - GJL-200, ASTM Class 30			eMG12 - Ø70mm	BQ7EGG-WA
25	Casing Cover	Ductile Iron, EN-GJS-400-15, ASTM A536 40-60-18			Mechanical seal diameter	2 3/4 inch
26	Shaft	Stainless steel, 1.4057, AISI 431			1. Rotating ring	Carbon graphite resin impregnated
27	Wear ring	Stainless steel, 1.4301, AISI 304			2. Stationary ring	SiC, silicon carbide, sintered press. less
28	Impeller lock nut and washer	A4 (1.4401)			3. Secondary seal	Ethylene propylene rubber (EPDM)
29	Impeller key	Stainless steel, 1.4571, AISI 316Ti			4. Springs	CrNiMo - Steel
30	Fill and drain plugs	Galvanized carbon steel, EN 10277-3, AISI 1213 / 1215			5. Others	EPDM - WRAS
31	Bearing bracket	Cast Iron, EN 1561 - GJL-250, ASTM Class 35			Gaskets of the pump	Ethylene propylene rubber (EPDM)
32						
33						
34						
35						
36						
37						
38						
39						
40						
41						

Motor data				Coupling			
42	Manufacturer	Lowara		Manufacturer	Flender		
43	Specific design	IE3 3ph Surface Motor - Premium Efficiency		Series	Standard Coupling - N-EUPEX - Type B		
44	Type	3MGS 355 M B3 315 kW		Shaft diameter	Pump 2 3/8 inch	MotoØ 15/16 inch	
45	Rated power	422.42 hp	Rated current	565 A	Frame size	250	
46	Nominal speed	1788 rpm	Rated voltage	380 V	Spacer length	inch	3/16
47	Frame size	355 M	Service factor	1	Weight	lb	63.9
48	Weight	lb	3,535.5	Degree of protection	IP55	Coupling protection	GR.COUPLGUARD ES60-310-33 A4 9.4797 lb

Base plate			Remarks		
49	Name	FRAME 60NSC80A-450-355			
50	Weight	lb	756.2		

Project	Xylect-20182283	Created by		Last update	1/11/2025
Block	NSCF250-500/3550/L46UDC4	Created on	1/11/2025		

NSCF250-500/3150/L46UDC4

Performance curve

Company name
Contact
Phone number
e-mail address

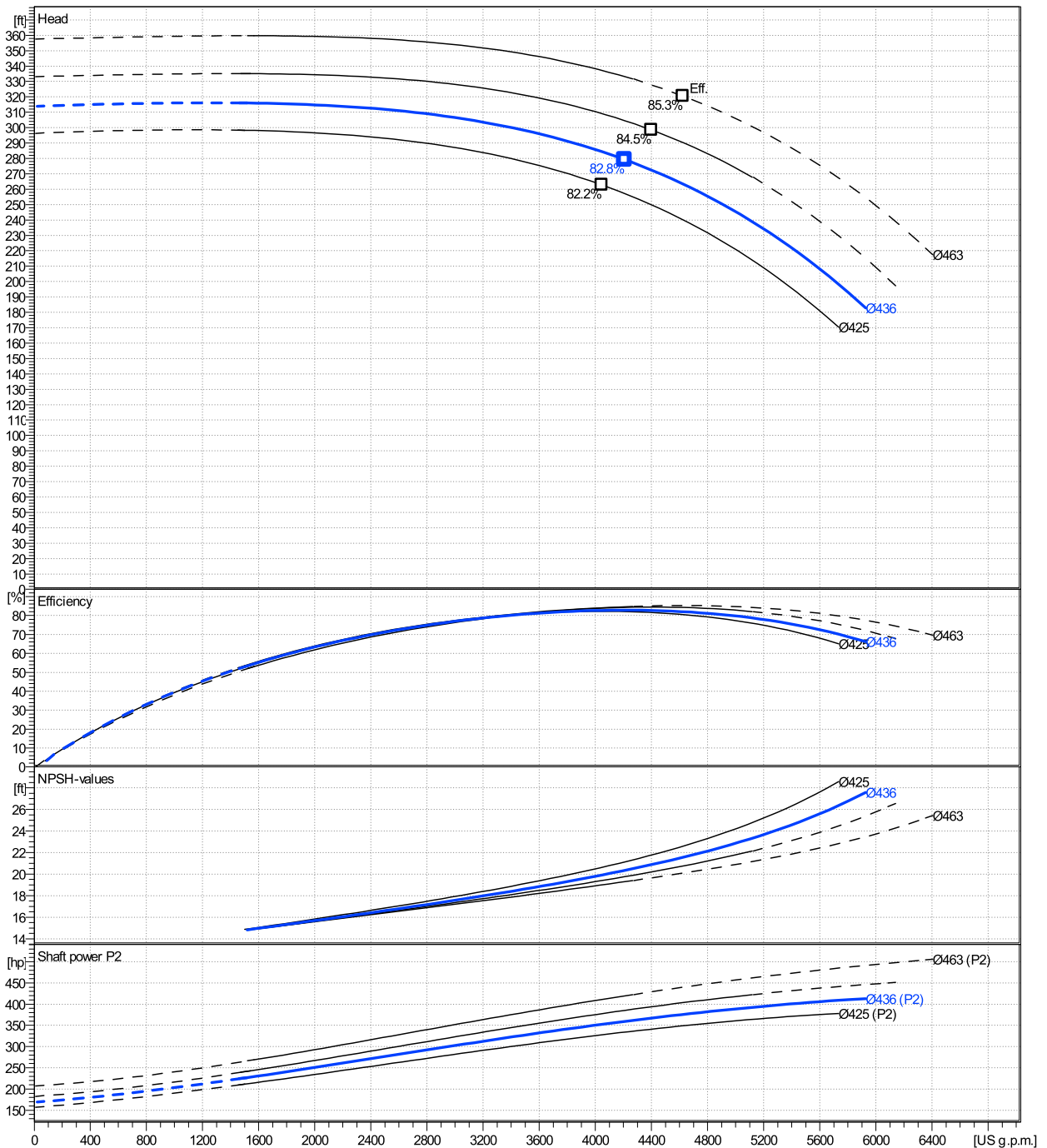
	Ø mm	Pump capacity Operating range η			Pump head H(Q=0) η		Shaft power P2 P2(Q=0) η			Frequency Hz	
		Min. US g.p.m.	Max. US g.p.m.	Max. US g.p.m.	ft	ft	hp	Max. hp	η hp	rpm	
actual	17 3/16	1520	5930	4210	314	279		413	359	Operating speed	1788
Min.	0	/	/	4050	296	263		/	328	Nominal flow	US g.p.m. 0
Max.	18 1/4	/	/	4620	358	321		/	440	Nominal head	ft 0
										Inlet pressure	psi 0
										Static head	ft 0

Power datas referred to:

hydr. Performance acceptance acc. To EN ISO 9906 Class Grade 2B

Water, pure [100%] ; 39.2°F; 62.4lb/ft³; 1.69E-5ft²/s

MEI: N.A - according to Ecodesign Directive 2009/125/EC and Regulation (EU) No.547/2012



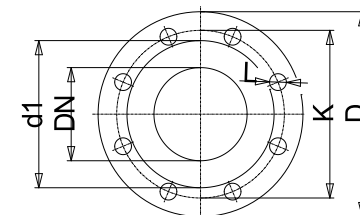
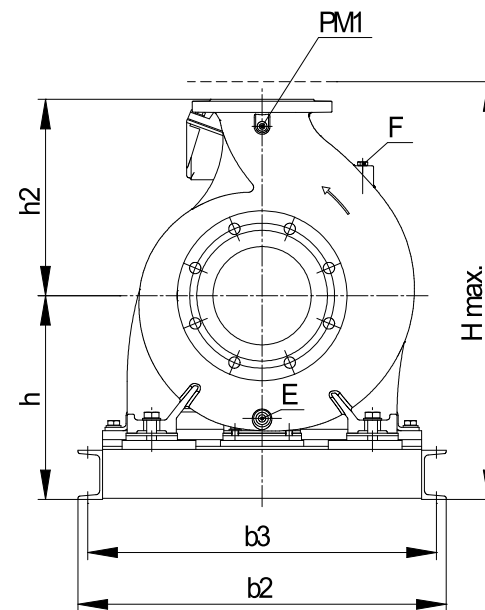
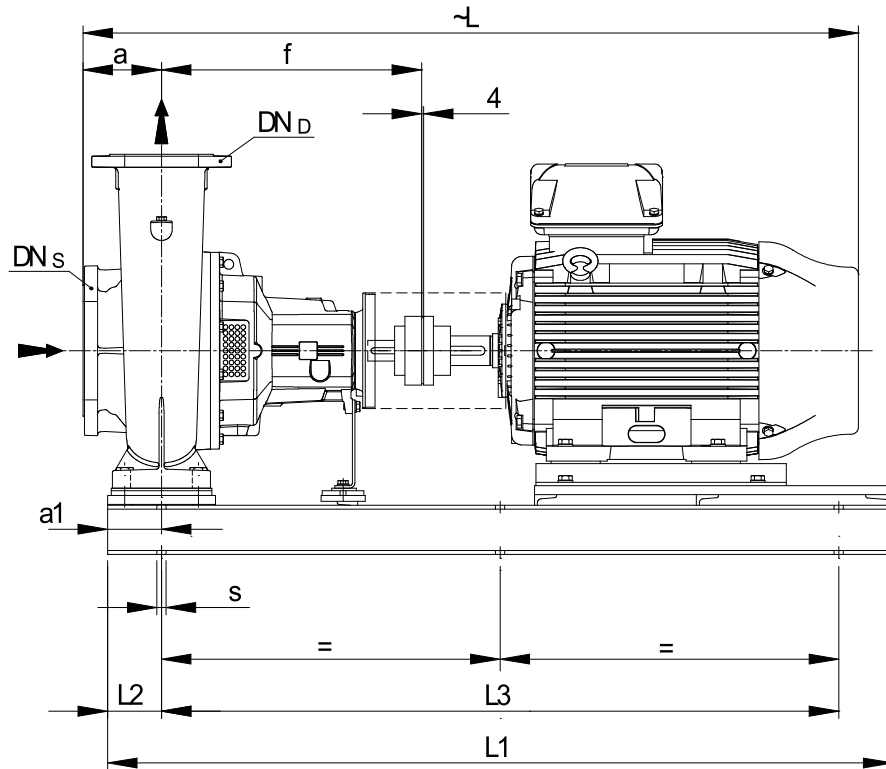
NSCF250-500/3150/L46UDC4

Dimensions

Company name
Contact
Phone number
e-mail address

Frame mounted
Standard coupling
3MGS 355 M B3 315 kW

Electrical and dimensional data refer to IE3 motor



Value C, D may vary from Standard

Dimensions		[inch]	
a	7 ⁷ / ₈		
a1	6 ¹ / ₂		
b2	39 ³ / ₈		
b3	36 ⁵ / ₈		
CTO			
DNd	9 ¹³ / ₁₆		
DNs	11 ¹³ / ₁₆		
E	1/2"		
F	-		
f	30 ⁵ / ₁₆		
Guard	13 ¹⁵ / ₁₆		
h	26 ⁹ / ₁₆		
h2	26 ³ / ₈		
Hmax	52 ¹⁵ / ₁₆		
L1	86 ⁵ / ₈		
L2	6 ¹ / ₂		
L3	73 ⁵ / ₈		
PM1	1/2"		
s	6xØ29		
Trim			
Volumen	1/8		

Weight	
Total weight	On demand kg

Connections			
Suction nozzle		Discharge nozzle	
DN300		DN250	
PN16		PN16	
EN1092-2		EN1092-2	
C	1 ¹ / ₄	C	1 ¹ / ₄
D	19 ¹ / ₈	D	15 ¹⁵ / ₁₆
d1	14 ⁹ / ₁₆	d1	12 ⁹ / ₁₆
K	16 ¹ / ₈	K	14
L	1 ¹ / ₈	L	1 ¹ / ₈
z	1/2	z	1/2

Dimensions and weight without obligation

Project	Xylect-20182283	Created by		Last update	1/11/2025
Block	NSCF250-500/3550/L46UDC4	Created on	1/11/2025		