

NSCF300-400/3550/L46UDC4

Performance curve

Company name
Contact
Phone number
e-mail address

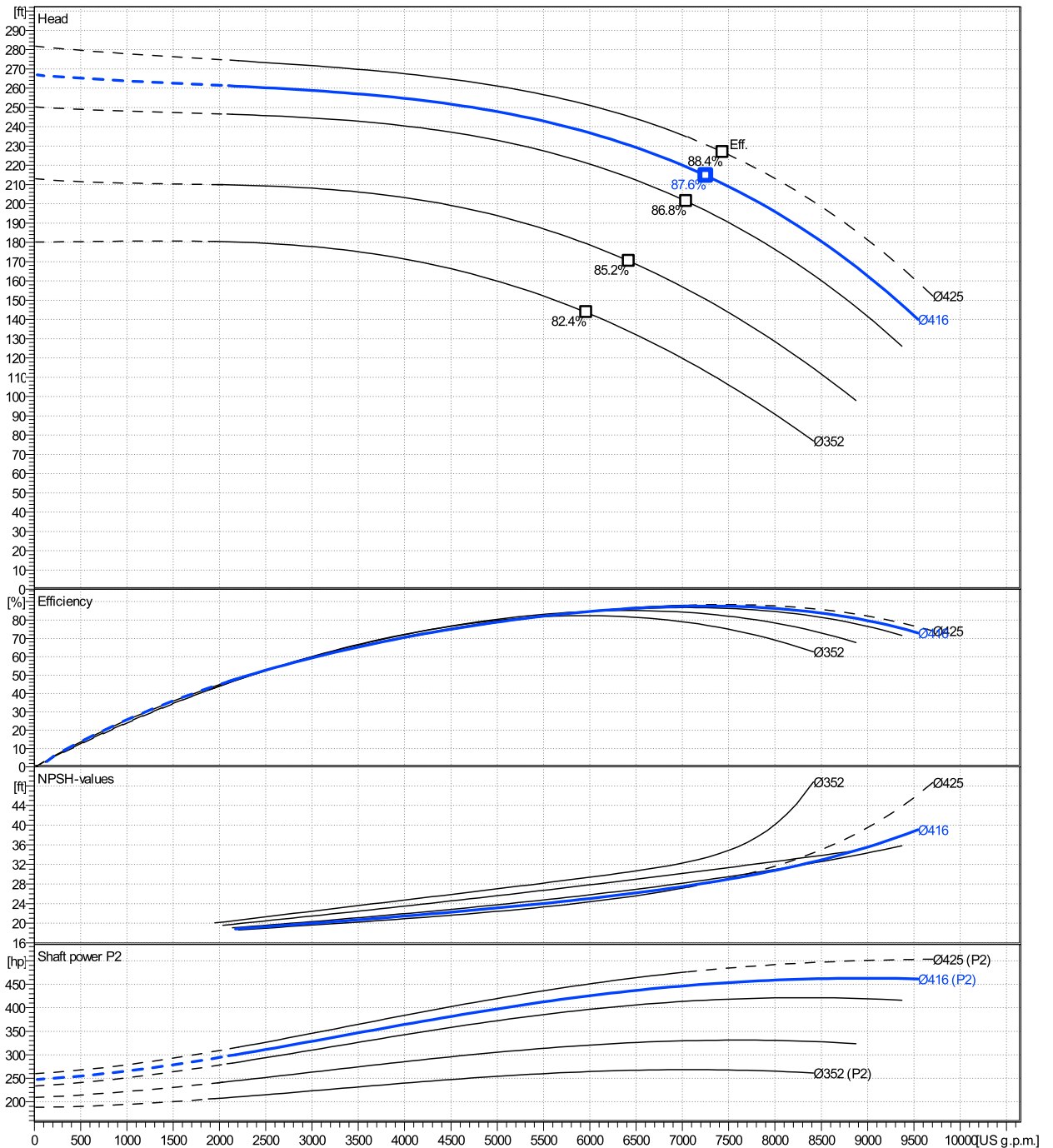
	Ø mm	Pump capacity Operating range η			Pump head H(Q=0) η		Shaft power P2 P2(Q=0) η			Frequency	Hz	
		Min. US g.p.m.	Max. US g.p.m.	Max. US g.p.m.	H(Q=0) ft	η ft	P2(Q=0) hp	Max. hp	η hp	Operating speed	rpm	
actual	16 3/8	2170	9540	7260	267	215	463	450	Nominal flow	US g.p.m.	0	
Min.	0	/	/	5960	180	144	/	264	Nominal head	ft	0	
Max.	16 3/4	/	/	7440	282	227	/	483	Inlet pressure	psi	0	
									Static head	ft	0	

Power datas referred to:

hydr. Performance acceptance acc. To EN ISO 9906 Class Grade 2B

Water, pure [100%] ; 39.2°F; 62.4lb/ft³; 1.69E-5ft²/s

MEI: N.A - according to Ecodesign Directive 2009/125/EC and Regulation (EU) No.547/2012



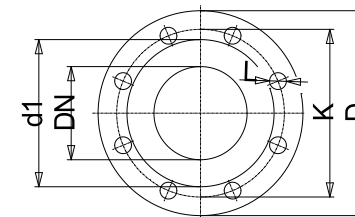
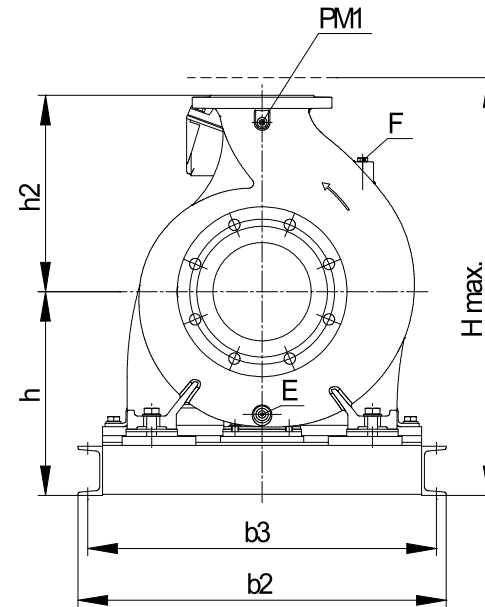
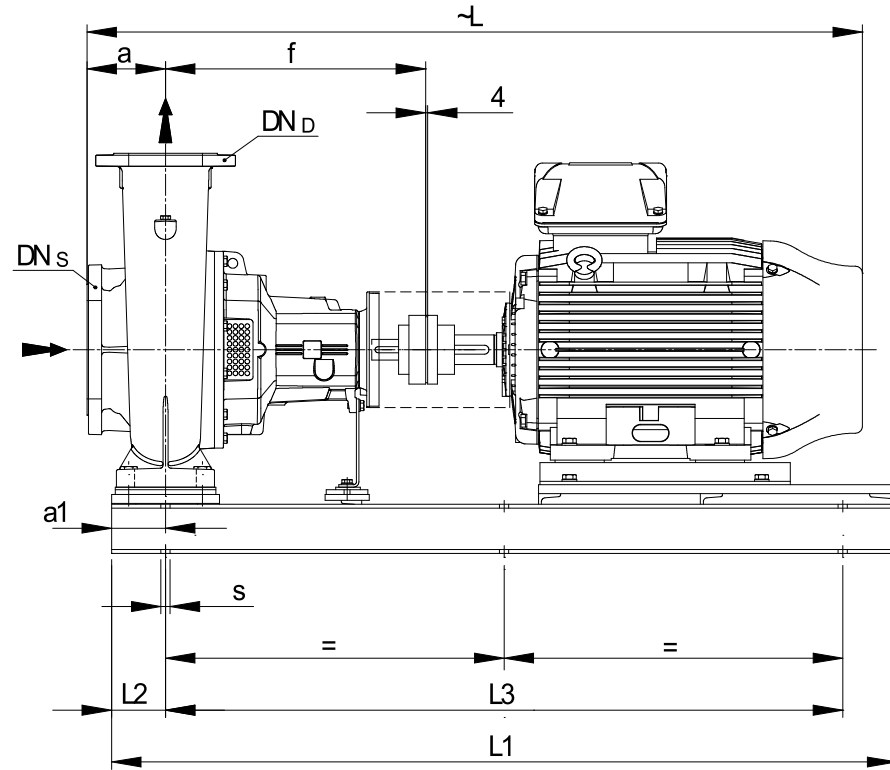
NSCF300-400/3550/L46UDC4

Dimensions

Company name
Contact
Phone number
e-mail address

Frame mounted
Standard coupling
3MGS 355 M B3 355 kW

Electrical and dimensional data refer to IE3 motor



Value C, D may vary from Standard

Dimensions		[inch]	
a	9 ¹³ / ₁₆		
a1	7 ⁷ / ₈		
b2	39 ³ / ₈		
b3	36 ⁵ / ₈		
CTO			
DNd	11 ¹³ / ₁₆		
DNs	13 ³ / ₄		
E	1/2"		
F	-		
f	31 ¹ / ₂		
Guard	13 ¹⁵ / ₁₆		
h	26 ³ / ₄		
h2	23 ⁵ / ₈		
Hmax	50 ³ / ₈		
L1	88 ⁹ / ₁₆		
L2	7 ⁷ / ₈		
L3	72 ¹³ / ₁₆		
PM1	1/2"		
s	6xØ29		
Trim			
Volumen	1/8		

Weight	
Total weight	On demand kg

Connections			
Suction nozzle		Discharge nozzle	
DN350		DN300	
PN16		PN16	
EN1092-2		EN1092-2	
C	1 ⁷ / ₁₆	C	1 ¹ / ₄
D	21 ¹ / ₁₆	D	19 ¹ / ₈
d1	16 ⁷ / ₈	d1	14 ⁹ / ₁₆
K	18 ¹ / ₂	K	16 ¹ / ₈
L	1 ¹ / ₈	L	1 ¹ / ₈
Z	5 ⁵ / ₈	Z	1 ¹ / ₂

Dimensions and weight without obligation

Project	Xylect-20182283	Created by		Last update	1/11/2025
Block	NSCF300-400/2000/L46UDC4 E4	Created on	1/11/2025		