

NSCF300-400/750/L66UDC4 E4

Technical data

Company name
Contact
Phone number
e-mail address

Operating data						
1	Pumpe type	Single head pump		Fluid	Water, pure	
2	No. of pumps	1		Operating temperature at t A	°F	39.2
3	Nominal flow	US g.p.m.	0	Max / Min Operating Temperature mech. Seal	°F	120 / -25
4	Nominal head	ft	0	pH-value at t A		7
5	Static head	ft	0	Density at t A	lb/ft ³	62.4
6	Inlet pressure	psi	0	Kin. viscosity at t A	ft ² /s	1.689E-5
7	Environmental temperature	°F	68	Vapor pressure at t A	psi	14.5
8	Available system NPSH	ft	0	Altitude		0

Pump data						
9	Lubrication	Advanced, Grease lubrication [Std]				
10	Execution	Standard coupling				
11	Design	Horizontal				Impeller Ø
12	Operating speed	1188 rpm	Stages	1		Max. inch 16 3/4
13	Suction nozzle	DN350 / PN16 / EN1092-2				designed inch 14 7/8
14	Discharge nozzle	DN300 / PN16 / EN1092-2				Min. inch 13 5/8
15	Max. casing pressure	psi				Nominal US g.p.m.
16	Max. working pressure	psi	41.1			Max- US g.p.m. 5888.3
17	Impeller type	Radial impeller				Min- US g.p.m. 1505.2
18	Head H(Q=0)	ft	95			Flow
19	Max. shaft power	hp	99.1			Max- US g.p.m. 5888.3
20	Pump weight	kg	1208.1			Min- US g.p.m. 1505.2
21	Total weight	lb	On demand			Head
						Nominal ft
						at Qmax ft 43.3
						at Qmin ft 93.3
						Shaft power hp
						Efficiency %
						NPSH 3% ft

Materials						
22		Pump			Shaft Seal	
23	Volute Casing	Ductile Iron, EN-GJS-400-15, ASTM A536 40-60-18			Single mechanical seal, without shaft sleeve	
24	Impeller	Cast Iron, EN 1561 - GJL-200, ASTM Class 30			eMG12 - Ø70mm	BQ7EGG-WA
25	Casing Cover	Ductile Iron, EN-GJS-400-15, ASTM A536 40-60-18			Mechanical seal diameter	2 3/4 inch
26	Shaft	Stainless steel, 1.4057, AISI 431			1. Rotating ring	Carbon graphite resin impregnated
27	Wear ring	Stainless steel, 1.4301, AISI 304			2. Stationary ring	SiC, silicon carbide, sintered press. less
28	Impeller lock nut and washer	A4 (1.4401)			3. Secondary seal	Ethylene propylene rubber (EPDM)
29	Impeller key	Stainless steel, 1.4571, AISI 316Ti			4. Springs	CrNiMo - Steel
30	Fill and drain plugs	Galvanized carbon steel, EN 10277-3, AISI 1213 / 1215			5. Others	EPDM - WRAS
31	Bearing bracket	Cast Iron, EN 1561 - GJL-250, ASTM Class 35			Gaskets of the pump	Ethylene propylene rubber (EPDM)
32						
33						
34						
35						
36						
37						
38						
39						
40						
41						

Motor data				Coupling			
42	Manufacturer	Lowara		Manufacturer	Flender		
43	Specific design	IE4 3ph Surface Motor - Super Premium Efficiency		Series	Standard Coupling - N-EUPEX - Type B		
44	Type	3MGS 315 S B3 75 kW E4		Shaft diameter	Pump 2 3/8 inch	Motor 3 1/8 inch	
45	Rated power	100.58 hp	Rated current 142 A	Frame size	200		
46	Nominal speed	1188 rpm	Rated voltage 380 V	Spacer length	inch	3/16	
47	Frame size	315 S	Service factor 1	Weight	lb	35.3	
48	Weight	lb 1,830.9	Degree of protection IP55	Coupling protection	GR.COUPLGUARD ES60-310-23 A4 7.716 lb		

Base plate			Remarks		
49	Name	FRAME 60NSC80B-450-315			
50	Weight	lb 646.4			

NSCF300-400/750/L66UDC4 E4

Performance curve

Company name
Contact
Phone number
e-mail address

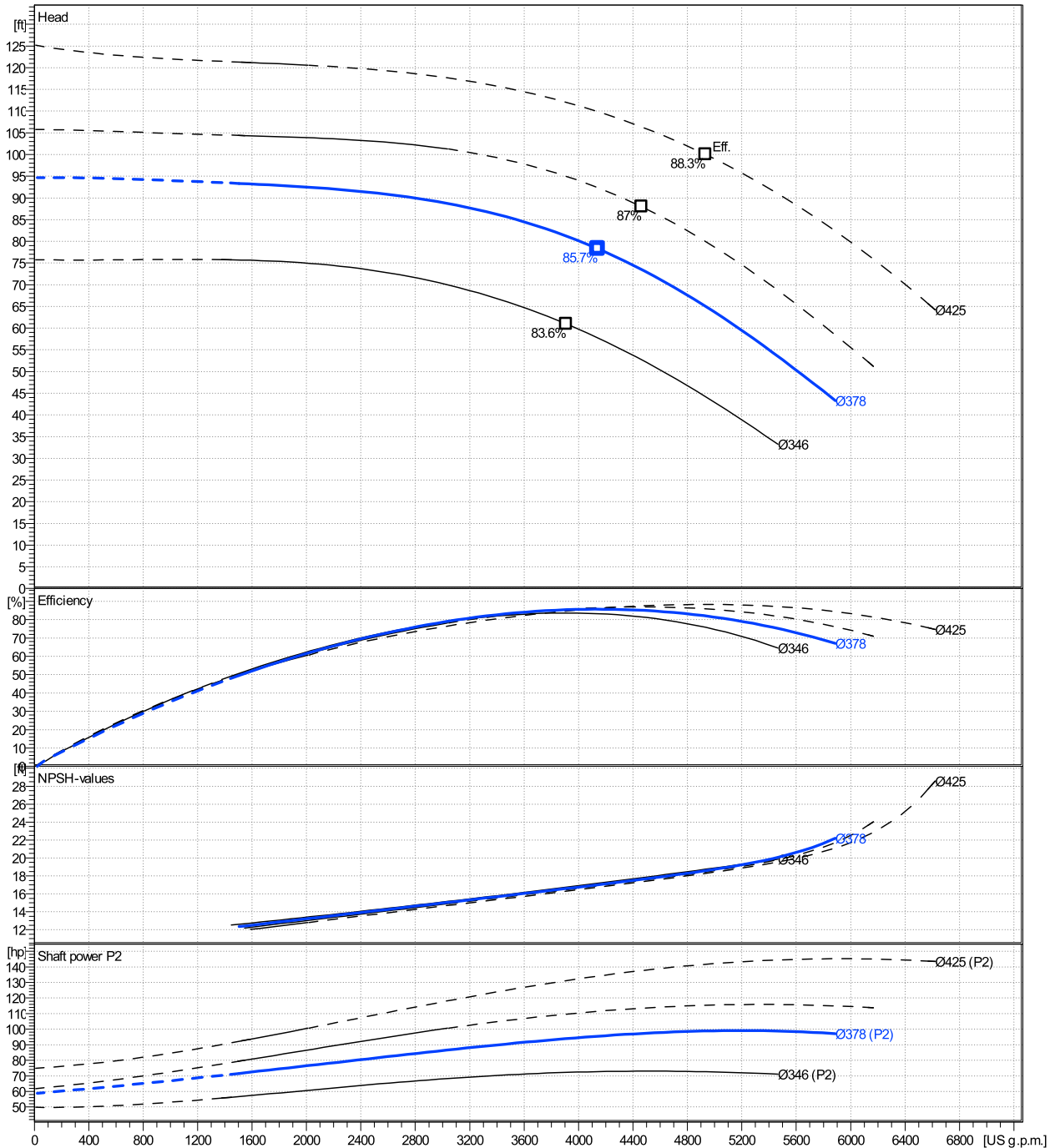
	Ø mm	Pump capacity			Pump head		Shaft power P2			Frequency	Hz
		Operating range Min. US g.p.m.	Max. US g.p.m.	η Max. US g.p.m.	H(Q=0) ft	η Max. ft	P2(Q=0) hp	Max. hp	η Max. hp	Operating speed	rpm
actual	14 7/8	1510	5890	4140	94.7	78.3	99.1	95.5	Nominal flow	US g.p.m.	0
Min.	0	/	/	3910	75.8	61	/	72.2	Nominal head	ft	0
Max.	16 3/4	/	/	4930	125	100	/	142	Inlet pressure	psi	0
									Static head	ft	0

Power datas referred to:

hydr. Performance acceptance acc. To EN ISO 9906 Class Grade 2B

Water, pure [100%] ; 39.2°F; 62.4lb/ft³; 1.69E-5ft²/s

MEI: N.A - according to Ecodesign Directive 2009/125/EC and Regulation (EU) No.547/2012



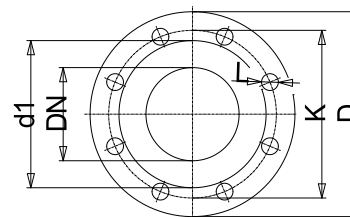
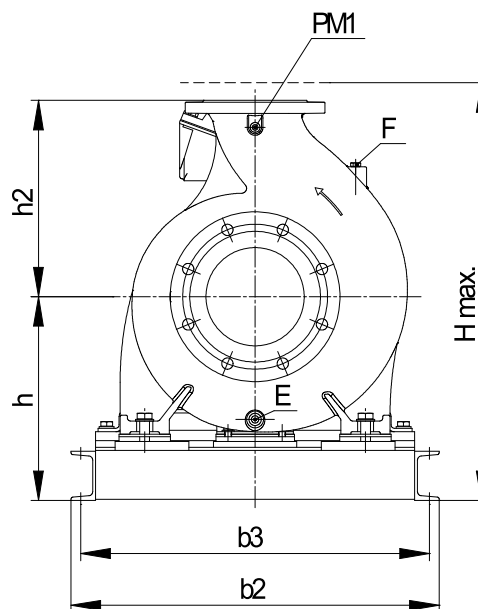
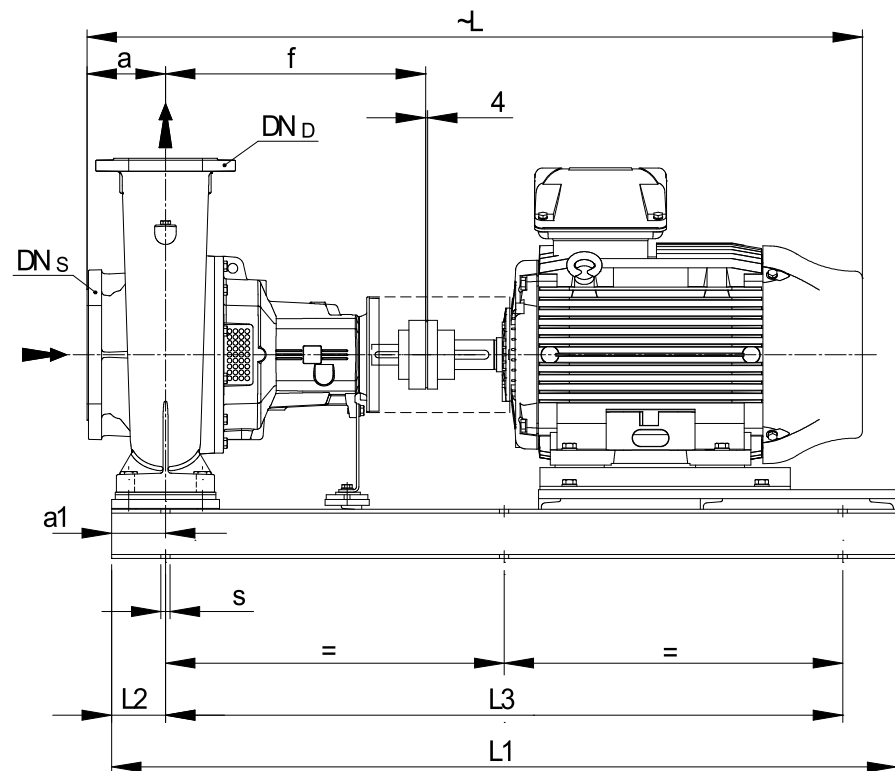
NSCF300-400/750/L66UDC4 E4

Dimensions

Company name
Contact
Phone number
e-mail address

Frame mounted
Standard coupling
3MGS 315 S B3 75 kW E4

Electrical and dimensional data refer to IE4 motor



Value C, D may vary from Standard

Dimensions		[inch]	
a	9 ¹³ / ₁₆		
a1	7 ⁷ / ₈		
b2	37 ¹³ / ₁₆		
b3	35 ¹³ / ₁₆		
CTO			
DNd	11 ¹³ / ₁₆		
DNs	13 ³ / ₄		
E	1/2"		
F	-		
f	31 ¹ / ₂		
Guard	12 ³ / ₈		
h	25 ³ / ₁₆		
h2	23 ⁵ / ₈		
Hmax	48 ¹³ / ₁₆		
L1	82 ¹¹ / ₁₆		
L2	7 ⁷ / ₈		
L3	66 ¹⁵ / ₁₆		
PM1	1/2"		
s	6xØ26		
Trim			
Volumen	1/8		

Weight	
Total weight	On demand kg

Connections			
Suction nozzle		Discharge nozzle	
DN350		DN300	
PN16		PN16	
EN1092-2		EN1092-2	
C	1 ⁷ / ₁₆	C	1 ¹ / ₄
D	21 ¹ / ₁₆	D	19 ¹ / ₈
d1	16 ⁷ / ₈	d1	14 ⁹ / ₁₆
K	18 ¹ / ₂	K	16 ¹ / ₈
L	1 ¹ / ₈	L	1 ¹ / ₈
Z	5 ⁵ / ₈	Z	1 ¹ / ₂

Dimensions and weight without obligation

Project	Xylect-20182283	Created by		Last update	1/11/2025
Block	NSCF300-400/2000/L46UDC4 E4	Created on	1/11/2025		