

NSCF32-160/40/P26PCS4

Technical data

Company name
Contact
Phone number
e-mail address

Operating data						
1	Pumpe type	Single head pump		Fluid	Water, pure	
2	No. of pumps	1		Operating temperature at A	°F	39.2
3	Nominal flow	US g.p.m.	0	Max / Min Operating Temperature mech. Seal	°F	120 / -25
4	Nominal head	ft	0	pH-value at t A		7
5	Static head	ft	0	Density at t A	lb/ft³	62.4
6	Inlet pressure	psi	0	Kin. viscosity at t A	ft²/s	1.689E-5
7	Environmental temperature	°F	68	Vapor pressure at t A	psi	14.5
8	Available system NPSH	ft	0	Altitude		0

Pump data										
9	Lubrication	Standard, Grease lubrication [Std]								
10	Execution	[F] = 2 poles motor unit with standard cuopling								
11	Design	Horizontal		Impeller Ø	Max.	inch	6 3/4			
12	Operating speed	3500 rpm	Stages		1	designed	inch	5 3/8		
13	Suction nozzle	DN 50	/		PN 16	/	EN1092-2	Min.	inch	5 3/8
14	Discharge nozzle	DN 32	/	PN 16	/	EN1092-2	Flow	Nominal US g.p.m.		
15	Max. casing pressure	psi						Max-	US g.p.m.	162.9
16	Max. working pressure	psi	50.4				Min-	US g.p.m.	37.9	
17	Impeller type	Radial impeller		Head	Nominal	ft				
18	Head H(Q=0)	ft	120		at Qmax	ft	71			
19	Max. shaft power	hp	5.4		at Qmin	ft	115.9			
20	Pump weight	kg	68.3	Shaft power	hp					
21	Total weight	lb	187.1	Efficiency	%					
				NPSH 3%	ft					

Materials						
Pump			Shaft Seal			
22				Single mechanical seal, without shaft sleeve		
23	Volute Casing	Cast Iron		eMG12 - Ø22mm	BQ7EGG-WA	
24	Casing Cover	Cast Iron		Mechanical seal diameter	7/8 inch	
25	Impeller	Fabricated Stainless Steel		1. Rotating ring	Carbon graphite resin impregnated	
26	Shaft	Stainless steel		2. Stationary ring	SiC, silicon carbide, sintered press.less	
27	Wear ring	Stainless steel		3. Secondary seal	Ethylene propylene rubber (EPDM)	
28	Impeller lock nut and washer	Stainless steel		4. Springs	CrNiMo - Steel	
29	Impeller key	Stainless steel		5. Others	EPDM - WRAS	
30	Fill and drain plugs	Stainless steel		Gaskets of the pump	Ethylene propylene rubber (EPDM)	
31						
32						
33						
34						
35						
36						
37						
38						
39						
40						
41						

Motor data				Coupling			
Electrical and dimensional data refer to IE3 motor							
42	Manufacturer	Lowara		Manufacturer	Flender		
43	Specific design	IE3 3ph Surface Motor - Premium Efficiency		Series	Standard Coupling - N-EUPEX - Type B		
44	Type	PLM 112 B3 4 kW		Shaft diameter	Pump 15/16 inch	Motor 1 1/8 inch	
45	Rated power	5.3641 hp	Rated current	13.3 A	Frame size	68	
46	Nominal speed	3468 rpm	Rated voltage	220 V	Spacer length	inch	1/8
47	Frame size	112	Service factor	1	Weight	lb 1.2	
48	Weight	lb 64.8	Degree of protection	IP55	Coupling protection	COUPLGUARD 160x112PNTD	0.5291 lb

Base plate			Remarks		
49	Name	BASE 3A 900X390 BLU			
50	Weight	lb	52.2		

Project	Xylect-20182283	Created by		Last update	1/11/2025
Block	NSCF32-160/110A/P26PCS4	Created on	1/11/2025		

NSCF32-160/40/P26PCS4

Performance curve

Company name
Contact
Phone number
e-mail address

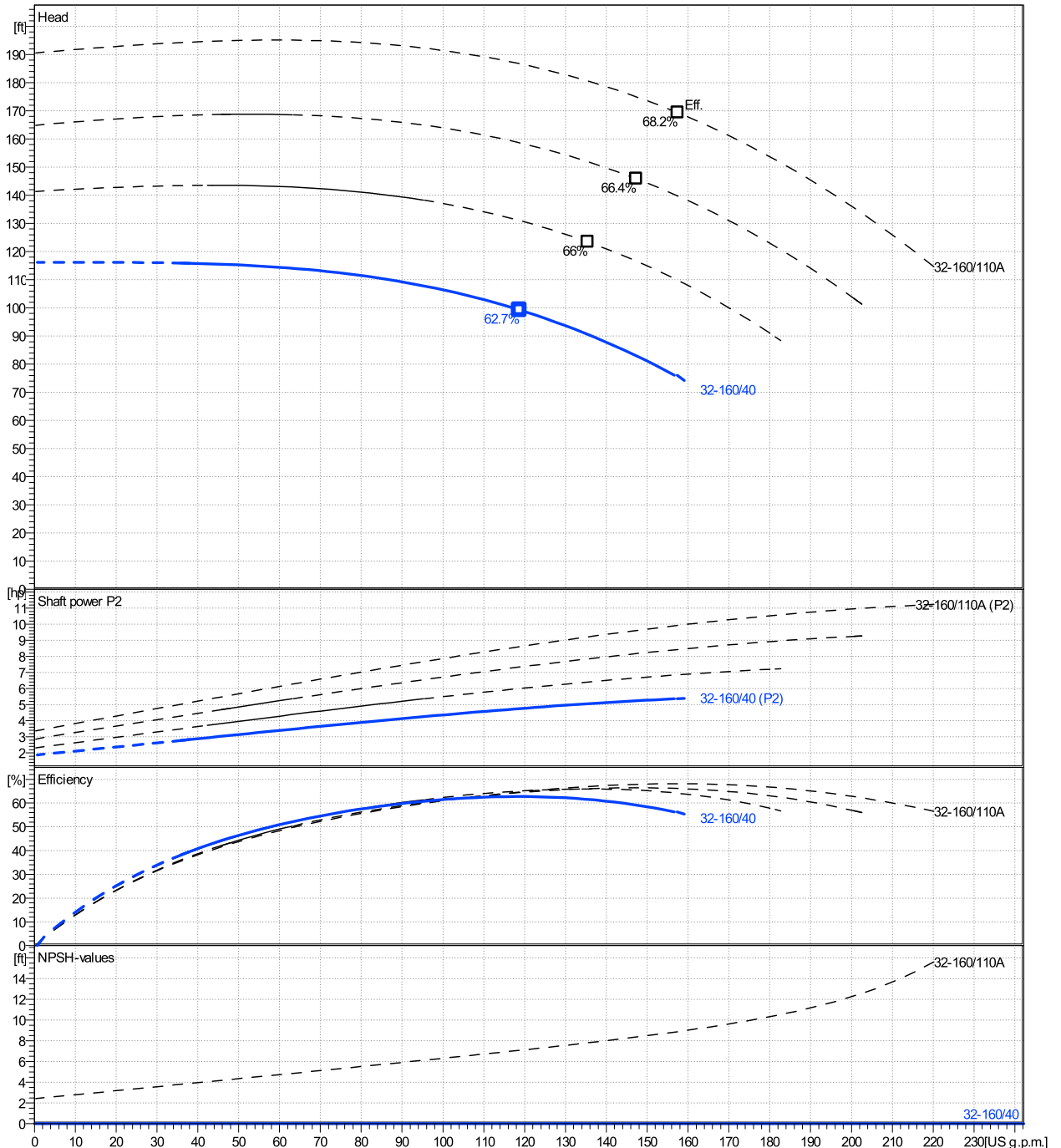
	Ø mm	Pump capacity			Pump head		Shaft power P2			Frequency	Hz	
		Operating range Min. US g.p.m.	Max. US g.p.m.	η Max. US g.p.m.	H(Q=0) ft	η Max. ft	P2(Q=0) hp	Max. hp	η Max. hp	Operating speed	rpm	
actual	5 3/8	37.9	157	119	116	99.3	5.44	4.75	Nominal flow	US g.p.m.	0	
Min.	0	/	/	119	116	99.3	/	4.75	Nominal head	ft	0	
Max.	6 3/4	/	/	157	191	169	/	9.93	Inlet pressure	psi	0	
									Static head	ft	0	

Power datas referred to:

hydr. Performance acceptance acc. To EN ISO 9906 Class Grade 3B

Water, pure [100%] ; 39.2°F; 62.4lb/ft³; 1.69E-5ft²/s

MEI: N.A - according to Ecodesign Directive 2009/125/EC and Regulation (EU) No.547/2012



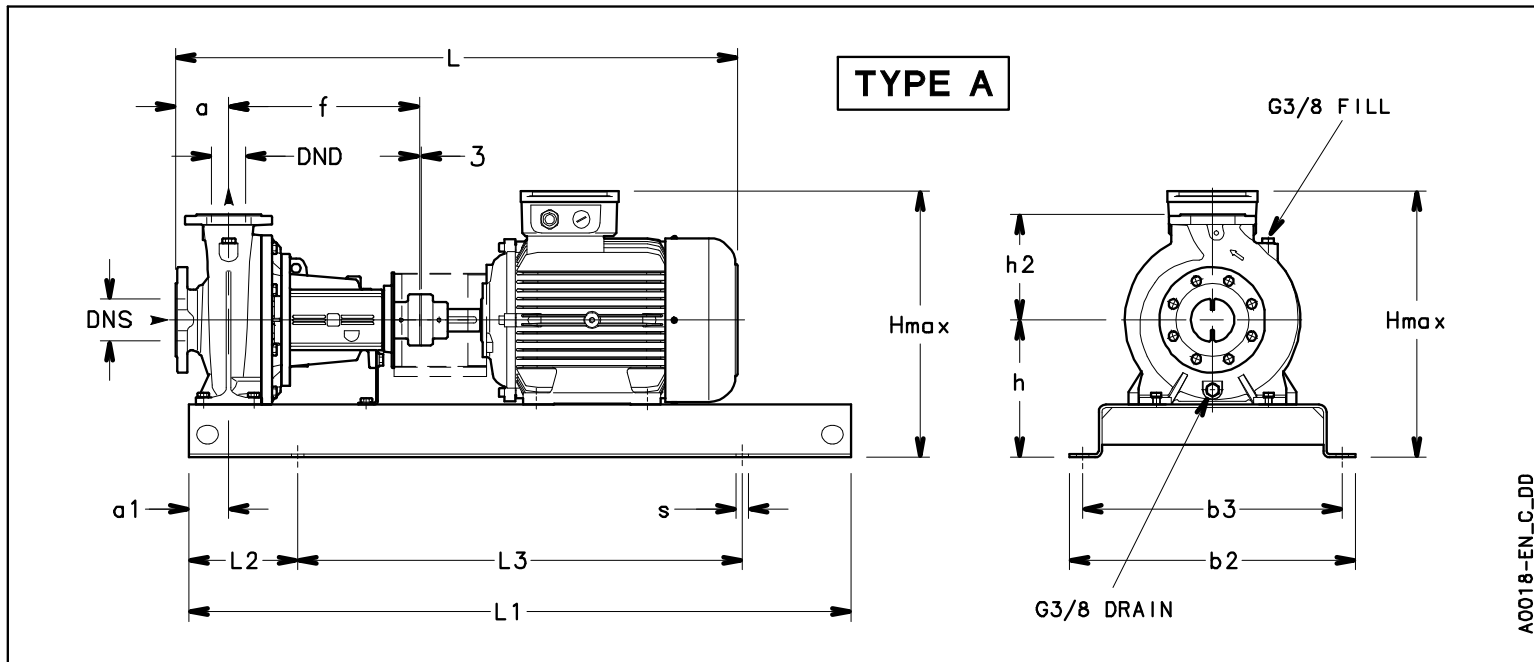
NSCF32-160/40/P26PCS4

Dimensions

Company name
Contact
Phone number
e-mail address

Frame mounted
[F] = 2 poles motor unit with standard coupling
PLM 112 B3 4 kW

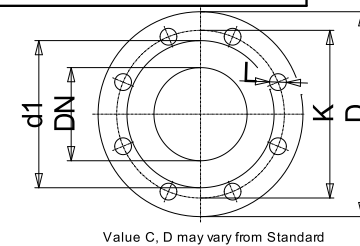
Electrical and dimensional data refer to IE3 motor



Dimensions		[inch]	
a	3 ¹ / ₈		
a1	2 ³ / ₈		
AD	6 ⁵ / ₈		
b2	15 ³ / ₈		
b3	13 ³ / ₄		
DND	1 ¹ / ₄		
DNS	1 ¹⁵ / ₁₆		
f	14 ³ / ₁₆		
Guard	4 ⁷ / ₁₆		
h	9 ¹ / ₈		
h2	6 ⁵ / ₁₆		
Hmax	15 ³ / ₄		
L	32 ¹ / ₂		
L1	35 ⁷ / ₁₆		
L2	5 ⁷ / ₈		
L3	23 ⁵ / ₈		
s	4xØ19		
Type	A		
Volumen	1 ¹ / ₁₂₈		
x	1 ¹ / ₈		

Weight	
Total weight	84.88 kg

Connections			
Suction nozzle		Discharge nozzle	
DN 50		DN 32	
PN 16		PN 16	
EN1092-2		EN1092-2	
C	1 ³ / ₁₆	C	1 ¹ / ₁₆
D	6 ¹ / ₂	D	5 ¹ / ₂
df	3 ⁷ / ₈	df	3
DN	1 ¹⁵ / ₁₆	DN	1 ¹ / ₄
K	4 ¹⁵ / ₁₆	K	3 ¹⁵ / ₁₆
L	4 x 19	L	4 x 19



Note:
Weight and Dimensions of selected Hydrovar are NOT considered.
Please refer to additional datasheet.

Dimensions and weight without obligation

Project	Xylect-20182283	Created by		Last update	1/11/2025
Block	NSCF32-160/110A/P26PCS4	Created on	1/11/2025		