

NSCF32-200/75/P26PCS4

Technical data

Company name
Contact
Phone number
e-mail address

Operating data					
1	Pumpe type	Single head pump		Fluid	Water, pure
2	No. of pumps	1		Operating temperature t A	°F 39.2
3	Nominal flow	US g.p.m.	0	Max / Min Operating Temperature mech. Seal	°F 120 / -25
4	Nominal head	ft	0	pH-value at t A	7
5	Static head	ft	0	Density at t A	lb/ft³ 62.4
6	Inlet pressure	psi	0	Kin. viscosity at t A	ft²/s 1.689E-5
7	Environmental temperature	°F	68	Vapor pressure at t A	psi 14.5
8	Available system NPSH	ft	0	Altitude	0

Pump data					
9	Lubrication	Standard, Grease lubrication [Std]			
10	Execution	[F] = 2 poles motor unit with standard cuopling			
11	Design	Horizontal		Impeller Ø	Max. inch 7 13/16
12	Operating speed	3500 rpm	Stages 1		designed inch 6 3/4
13	Suction nozzle	DN 50 /	PN 16 / EN1092-2		Min. inch 6 3/4
14	Discharge nozzle	DN 32 /	PN 16 / EN1092-2	Flow	Nominal US g.p.m.
15	Max. casing pressure	psi			Max- US g.p.m. 149.7
16	Max. working pressure	psi	83.4	Min- US g.p.m. 42.7	
17	Impeller type	Radial impeller		Head	Nominal ft
18	Head H(Q=0)	ft	190		at Qmax ft 137.4
19	Max. shaft power	hp	9.6		at Qmin ft 191.3
20	Pump weight	kg	83.8	Shaft power	hp
21	Total weight	lb	268.9	Efficiency	%
				NPSH 3%	ft

Materials					
22		Pump		Shaft Seal	
23	Volute Casing	Cast Iron		Single mechanical seal, without shaft sleeve	
24	Casing Cover	Cast Iron		eMG12 - Ø22mm	BQ7EGG-WA
25	Impeller	Fabricated Stainless Steel		Mechanical seal diameter	7/8 inch
26	Shaft	Stainless steel		1. Rotating ring	Carbon graphite resin impregnated
27	Wear ring	Stainless steel		2. Stationary ring	SiC, silicon carbide, sintered press. less
28	Impeller lock nut and washer	Stainless steel		3. Secondary seal	Ethylene propylene rubber (EPDM)
29	Impeller key	Stainless steel		4. Springs	CrNiMo - Steel
30	Fill and drain plugs	Stainless steel		5. Others	EPDM - WRAS
31				Gaskets of the pump	Ethylene propylene rubber (EPDM)
32					
33					
34					
35					
36					
37					
38					
39					
40					
41					

Motor data				Electrical and dimensional data refer to IE3 motor		Coupling	
42	Manufacturer	Lowara		Manufacturer	Flender		
43	Specific design	IE3 3ph Surface Motor - Premium Efficiency		Series	Standard Coupling - N-EUPEX - Type B		
44	Type	PLM 132 B3 7,5 kW		Shaft diameter	Pump 15/16 inch	Motor 1 1/2 inch	
45	Rated power	10.058 hp	Rated current	24.8 A	Frame size	80	
46	Nominal speed	3522 rpm	Rated voltage	220 V	Spacer length	inch	1/8
47	Frame size	132	Service factor	1	Weight	lb 2.9	
48	Weight	lb 116.8	Degree of protection	IP55	Coupling protection	COUPLGUARD 160x132PNTD	0.61728 lb

Base plate			Remarks		
49	Name	BASE 4B 1000X450 BLU			
50	Weight	lb	64.8		

Project	Xylect-20182283	Created by		Last update	1/11/2025
Block	NSCF32-200/110A/P26PCS4	Created on	1/11/2025		

NSCF32-200/75/P26PCS4

Performance curve

Company name
Contact
Phone number
e-mail address

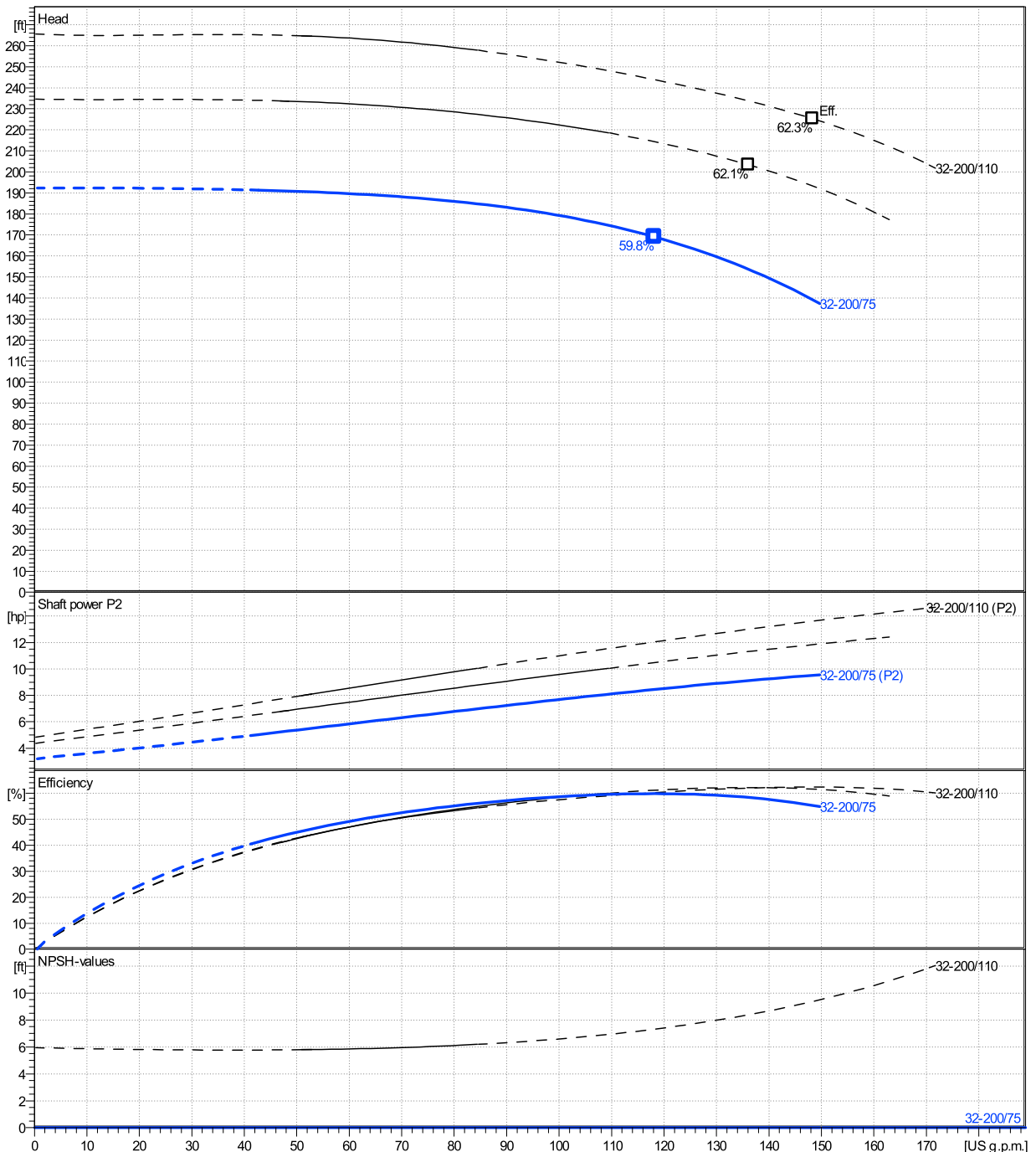
	Ø mm	Pump capacity Operating range η			Pump head η		Shaft power P2 η			Frequency Hz		60
		Min. US g.p.m.	Max. US g.p.m.	Max. US g.p.m.	H(Q=0) ft	Max. ft	P2(Q=0) hp	Max. hp	Max. hp	Operating speed rpm	3500	
actual	6 3/4	42.7	150	118	192	169		9.56	8.45	Nominal flow	US g.p.m.	0
Min.	0	/	/	118	192	169		/	8.45	Nominal head	ft	0
Max.	7 13/16	/	/	148	266	225		/	13.6	Inlet pressure	psi	0
										Static head	ft	0

Power datas referred to:

hydr. Performance acceptance acc. To EN ISO 9906 Class Grade 3B

Water, pure [100%] ; 39.2°F; 62.4lb/ft³; 1.69E-5ft²/s

MEI: N.A - according to Ecodesign Directive 2009/125/EC and Regulation (EU) No.547/2012



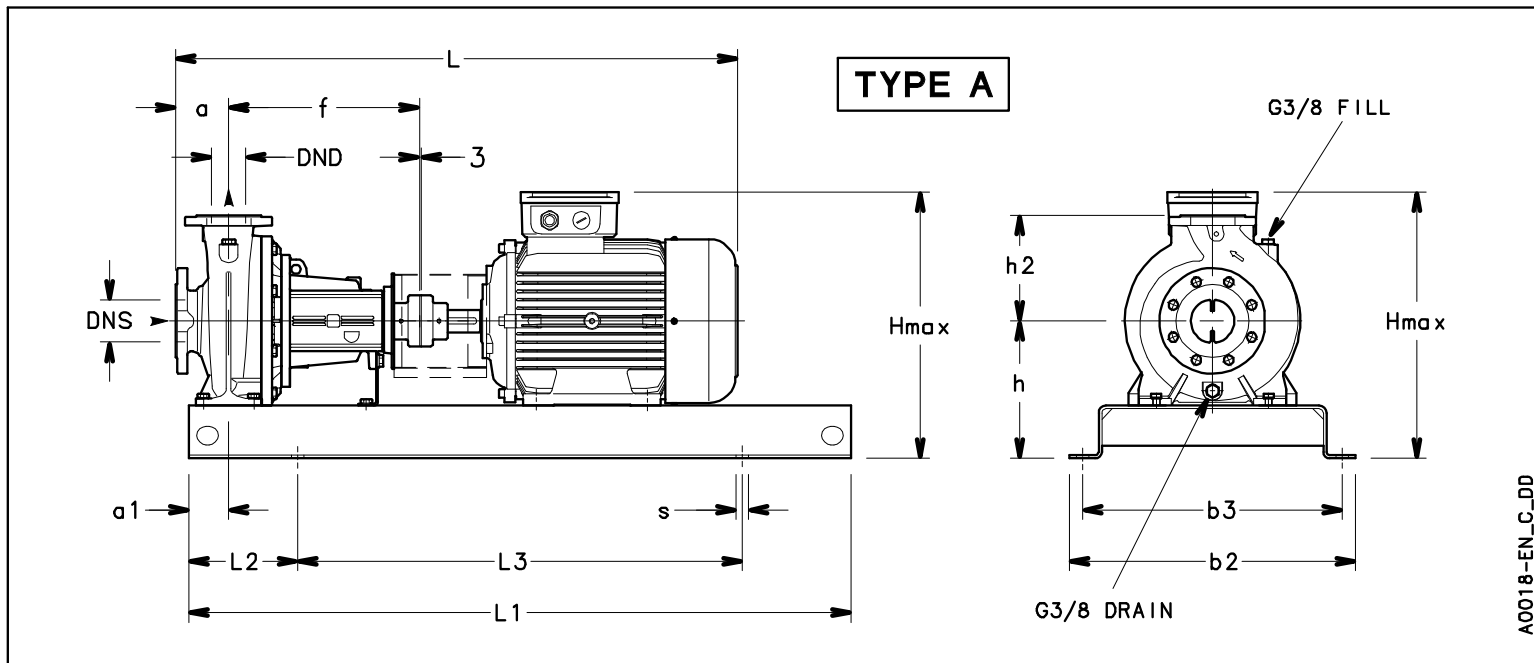
NSCF32-200/75/P26PCS4

Dimensions

Company name
Contact
Phone number
e-mail address

Frame mounted
[F] = 2 poles motor unit with standard coupling
PLM 132 B3 7,5 kW

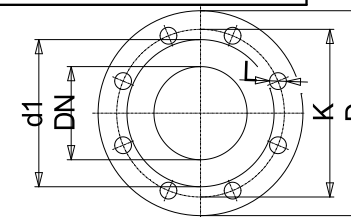
Electrical and dimensional data refer to IE3 motor



Dimensions		[inch]	
a	3 ¹ / ₈		
a1	2 ¹⁵ / ₁₆		
AD	7 ¹ / ₂		
b2	17 ¹¹ / ₁₆		
b3	15 ³ / ₄		
DND	1 ¹ / ₄		
DNS	1 ¹⁵ / ₁₆		
f	14 ³ / ₁₆		
Guard	5 ¹ / ₄		
h	10 ¹ / ₄		
h2	7 ¹ / ₁₆		
Hmax	17 ³ / ₄		
L	35 ¹ / ₁₆		
L1	39 ³ / ₈		
L2	6 ¹¹ / ₁₆		
L3	26		
s	4xØ24		
Type	A		
Volumen	1 ¹ / ₁₂₈		
x	1 ¹ / ₈		

Weight	
Total weight	121.98 kg

Connections			
Suction nozzle		Discharge nozzle	
DN 50		DN 32	
PN 16		PN 16	
EN1092-2		EN1092-2	
C	1 ³ / ₁₆	C	1 ¹ / ₁₆
D	6 ¹ / ₂	D	5 ¹ / ₂
df	3 ⁷ / ₈	df	3
DN	1 ¹⁵ / ₁₆	DN	1 ¹ / ₄
K	4 ¹⁵ / ₁₆	K	3 ¹⁵ / ₁₆
L	4 x 19	L	4 x 19



Value C, D may vary from Standard

Note:
Weight and Dimensions of selected Hydrovar are NOT considered.
Please refer to additional datasheet.

Dimensions and weight without obligation

Project	Xylect-20182283	Created by		Last update	1/11/2025
Block	NSCF32-200/110A/P26PCS4	Created on	1/11/2025		