

NSCF32-250/150/P26PCS4

Technical data

Company name
Contact
Phone number
e-mail address

Operating data				
1	Pumpe type	Single head pump	Fluid	Water, pure
2	No. of pumps	1	Operating temperature t A	°F 39.2
3	Nominal flow	US g.p.m. 0	Max / Min Operating Temperature mech. Seal	°F 120 / -25
4	Nominal head	ft 0	pH-value at t A	7
5	Static head	ft 0	Density at t A	lb/ft³ 62.4
6	Inlet pressure	psi 0	Kin. viscosity at t A	ft²/s 1.689E-5
7	Environmental temperature	°F 68	Vapor pressure at t A	psi 14.5
8	Available system NPSH	ft 0	Altitude	0

Pump data				
9	Lubrication	Standard, Grease lubrication [Std]		
10	Execution	[F] = 2 poles motor unit with standard cuopling		
11	Design	Horizontal	Impeller Ø	Max. inch 9 15/16 designed inch 8 7/8 Min. inch 8 3/16
12	Operating speed	3500 rpm	Stages	1
13	Suction nozzle	DN 50 / PN 16 / EN1092-2	Flow	Nominal US g.p.m.
14	Discharge nozzle	DN 32 / PN 16 / EN1092-2		Max- US g.p.m. 154.1 Min- US g.p.m. 63.8
15	Max. casing pressure	psi	Head	Nominal ft
16	Max. working pressure	psi 137.8		at Qmax ft 242.3 at Qmin ft 312.7
17	Impeller type	Radial impeller		
18	Head H(Q=0)	ft 320	Shaft power	hp
19	Max. shaft power	hp 20.7	Efficiency	%
20	Pump weight	kg 130.1	NPSH 3%	ft
21	Total weight	lb 448.9		

Materials				
22		Pump	Shaft Seal	
23	Volute Casing	Cast Iron	Single mechanical seal, without shaft sleeve	
24	Casing Cover	Cast Iron	eMG12 - Ø28mm	BQ7EGG-WA
25	Impeller	Fabricated Stainless Steel	Mechanical seal diameter	1 1/8 inch
26	Shaft	Stainless steel	1. Rotating ring	Carbon graphite resin impregnated
27	Wear ring	Stainless steel	2. Stationary ring	SiC, silicon carbide, sintered press. less
28	Impeller lock nut and washer	Stainless steel	3. Secondary seal	Ethylene propylene rubber (EPDM)
29	Impeller key	Stainless steel	4. Springs	CrNiMo - Steel
30	Fill and drain plugs	Stainless steel	5. Others	EPDM - WRAS
31			Gaskets of the pump	Ethylene propylene rubber (EPDM)
32				
33				
34				
35				
36				
37				
38				
39				
40				
41				

Motor data				Electrical and dimensional data refer to IE3 motor		Coupling	
42	Manufacturer	Lowara		Manufacturer	Flender		
43	Specific design	IE3 3ph Surface Motor - Premium Efficiency		Series	Standard Coupling - N-EUPEX - Type B		
44	Type	PLM 160 B3 15 kW		Shaft diameter	Pump 15/16 inch	Motor 1 5/8 inch	
45	Rated power	20.115 hp	Rated current	27.5 A	Frame size	95	
46	Nominal speed	3540 rpm	Rated voltage	380 V	Spacer length	inch	1/8
47	Frame size	160	Service factor	1	Weight	lb	4.9
48	Weight	lb 219.4	Degree of protection	IP55	Coupling protection	COUPLGUARD 175x152PNTD	0.72751 lb

Base plate			Remarks	
49	Name	BASE 6A 1250X540 BLU		
50	Weight	lb	93.9	

Project	Xylect-20182283	Created by		Last update	1/11/2025
Block	NSCF32-250/220/L26UCS4	Created on	1/11/2025		

NSCF32-250/150/P26PCS4

Performance curve

Company name
Contact
Phone number
e-mail address

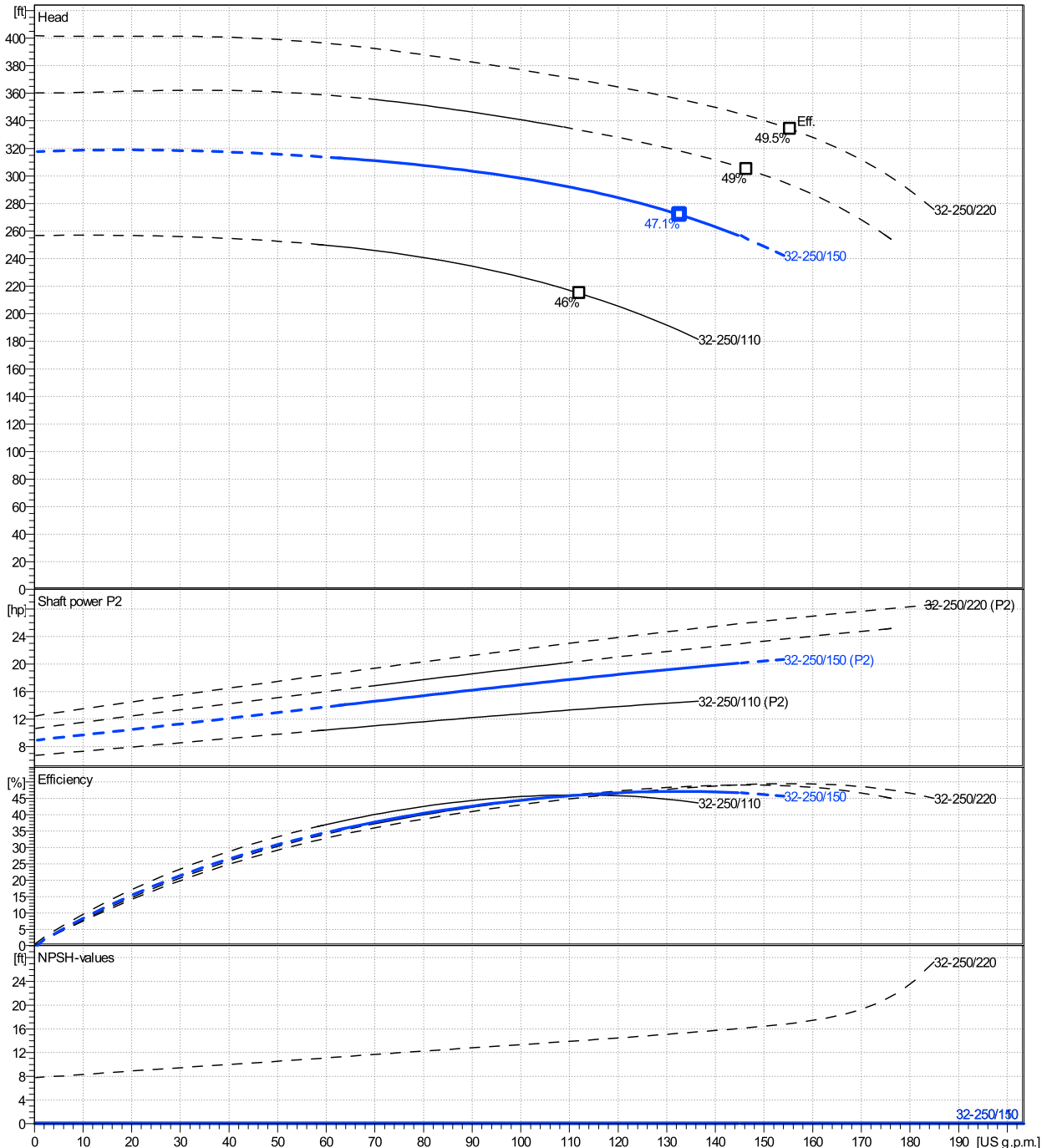
	Ø mm	Pump capacity			Pump head		Shaft power P2			Frequency	Hz	60
		Operating range Min. US g.p.m.	Max. US g.p.m.	η Max. US g.p.m.	H(Q=0) ft	η Max. ft	P2(Q=0) hp	Max. hp	η Max. hp	Operating speed	rpm	3500
actual	8 7/8	63.8	145	133	318	272		20.7	19.3	Nominal flow	US g.p.m.	0
Min.	0	/	/	112	257	215		/	13.4	Nominal head	ft	0
Max.	9 15/16	/	/	155	402	334		/	26.6	Inlet pressure	psi	0
										Static head	ft	0

Power datas referred to:

hydr. Performance acceptance acc. To EN ISO 9906 Class Grade 3B

Water, pure [100%] ; 39.2°F; 62.4lb/ft³; 1.69E-5ft²/s

MEI: N.A - according to Ecodesign Directive 2009/125/EC and Regulation (EU) No.547/2012



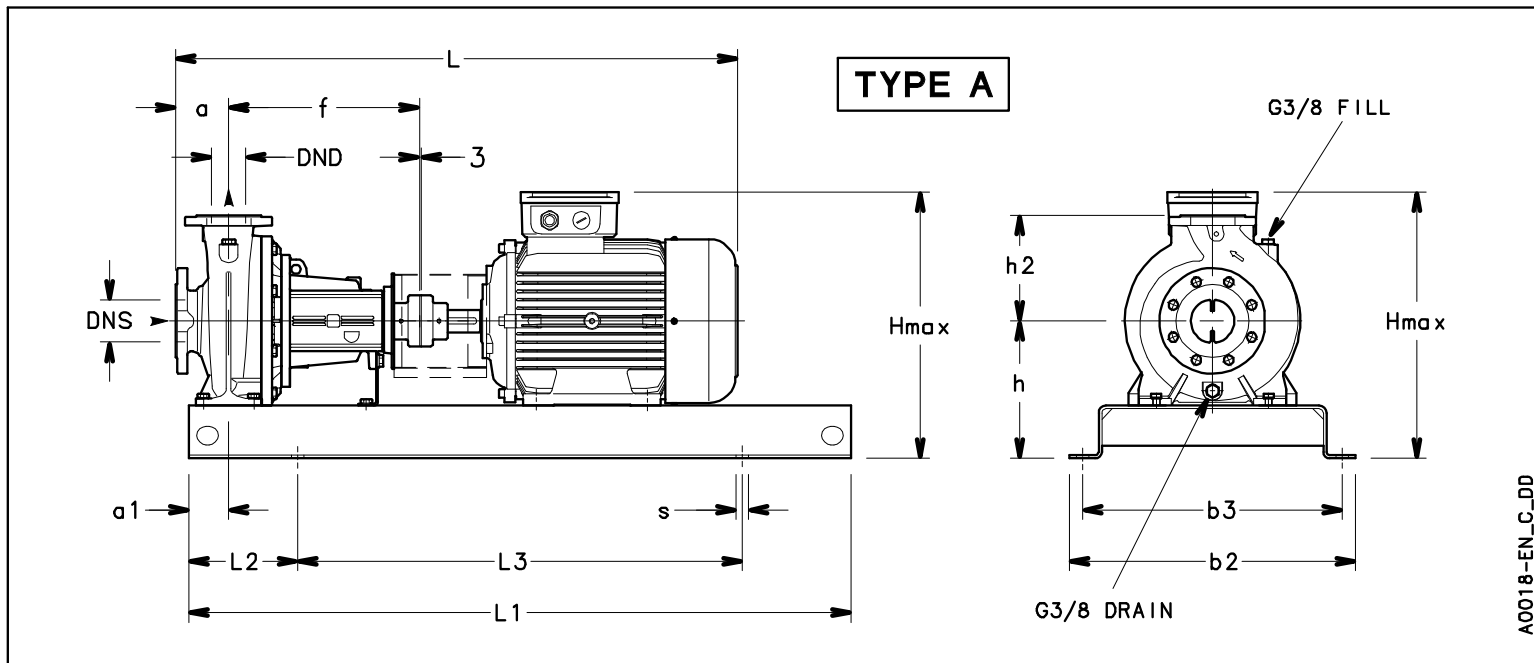
NSCF32-250/150/P26PCS4

Dimensions

Company name
Contact
Phone number
e-mail address

Frame mounted
[F] = 2 poles motor unit with standard coupling
PLM 160 B3 15 kW

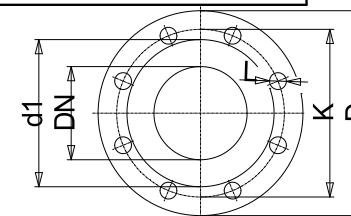
Electrical and dimensional data refer to IE3 motor



Dimensions		[inch]	
a	3 ¹⁵ / ₁₆		
a1	2 ¹⁵ / ₁₆		
AD	9 ⁷ / ₁₆		
b2	21 ¹ / ₄		
b3	19 ⁹ / ₁₆		
DND	1 ¹ / ₄		
DNS	1 ¹⁵ / ₁₆		
f	14 ³ / ₁₆		
Guard	6 ⁷ / ₁₆		
h	11 ¹ / ₃₂		
h2	8 ⁷ / ₈		
Hmax	20 ¹ / ₂		
L	42 ¹ / ₆₄		
L1	49 ³ / ₁₆		
L2	8 ¹ / ₁₆		
L3	33 ¹ / ₁₆		
s	4xØ24		
Type	A		
Volumen	1 ¹ / ₆₄		
x	1 ¹ / ₈		

Weight	
Total weight	203.63 kg

Connections			
Suction nozzle		Discharge nozzle	
DN 50		DN 32	
PN 16		PN 16	
EN1092-2		EN1092-2	
C	1 ³ / ₁₆	C	1 ¹ / ₁₆
D	6 ¹ / ₂	D	5 ¹ / ₂
df	3 ⁷ / ₈	df	3
DN	1 ¹⁵ / ₁₆	DN	1 ¹ / ₄
K	4 ¹⁵ / ₁₆	K	3 ¹⁵ / ₁₆
L	4 x 19	L	4 x 19



Value C, D may vary from Standard

Note:
Weight and Dimensions of selected Hydrovar are NOT considered.
Please refer to additional datasheet.

Dimensions and weight without obligation

Project	Xylect-20182283	Created by		Last update	1/11/2025
Block	NSCF32-250/220/L26UCS4	Created on	1/11/2025		