

# NSCF40-200/185/P26PCS4

## Technical data

Company name  
Contact  
Phone number  
e-mail address

Operating data				
1	Pumpe type	Single head pump	Fluid	Water, pure
2	No. of pumps	1	Operating temperature at A	°F 39.2
3	Nominal flow	US g.p.m. 0	Max / Min Operating Temperature mech. Seal	°F 120 / -25
4	Nominal head	ft 0	pH-value at t A	7
5	Static head	ft 0	Density at t A	lb/ft³ 62.4
6	Inlet pressure	psi 0	Kin. viscosity at t A	ft²/s 1.689E-5
7	Environmental temperature	°F 68	Vapor pressure at t A	psi 14.5
8	Available system NPSH	ft 0	Altitude	0

Pump data				
9	Lubrication	Standard, Grease lubrication [Std]		
10	Execution	[F] = 2 poles motor unit with standard cuopling		
11	Design	Horizontal		
12	Operating speed	3500 rpm	Stages	1
13	Suction nozzle	DN 65 /	PN 16 /	EN1092-2
14	Discharge nozzle	DN 40 /	PN 16 /	EN1092-2
15	Max. casing pressure	psi		
16	Max. working pressure	psi	117.5	
17	Impeller type	Radial impeller		
18	Head H(Q=0)	ft	270	
19	Max. shaft power	hp	24.6	
20	Pump weight	kg	88.2	
21	Total weight	lb	407.5	

Materials				
22		Pump		Shaft Seal
23	Volute Casing	Cast Iron		Single mechanical seal, without shaft sleeve
24	Casing Cover	Cast Iron		eMG12 - Ø22mm
25	Impeller	Fabricated Stainless Steel		BQ7EGG-WA
26	Shaft	Stainless steel		Mechanical seal diameter
27	Wear ring	Stainless steel		7/8 inch
28	Impeller lock nut and washer	Stainless steel		1. Rotating ring
29	Impeller key	Stainless steel		Carbon graphite resin impregnated
30	Fill and drain plugs	Stainless steel		2. Stationary ring
31				SiC, silicon carbide, sintered press.less
32				3. Secondary seal
33				Ethylene propylene rubber (EPDM)
34				4. Springs
35				CrNiMo - Steel
36				5. Others
37				EPDM - WRAS
38				Gaskets of the pump
39				Ethylene propylene rubber (EPDM)
40				
41				

Motor data				Electrical and dimensional data refer to IE3 motor		Coupling	
42	Manufacturer	Lowara		Manufacturer	Flender		
43	Specific design	IE3 3ph Surface Motor - Premium Efficiency		Series	Standard Coupling - N-EUPEX - Type B		
44	Type	PLM 160 B3 18,5 kW		Shaft diameter	Pump 15/16 inch	Motor 1 5/8 inch	
45	Rated power	24.809 hp	Rated current	58.3 A	Frame size	95	
46	Nominal speed	3540 rpm	Rated voltage	220 V	Spacer length	inch 1/8	
47	Frame size	160	Service factor	1	Weight	lb 4.9	
48	Weight	lb 235.9	Degree of protection	IP55	Coupling protection	COUPLGUARD 160x162PNTD 0.74956 lb	

Base plate			Remarks	
49	Name	BASE 5A 1120X490 BLU		
50	Weight	lb	77.8	

# NSCF40-200/185/P26PCS4

## Performance curve

Company name  
Contact  
Phone number  
e-mail address

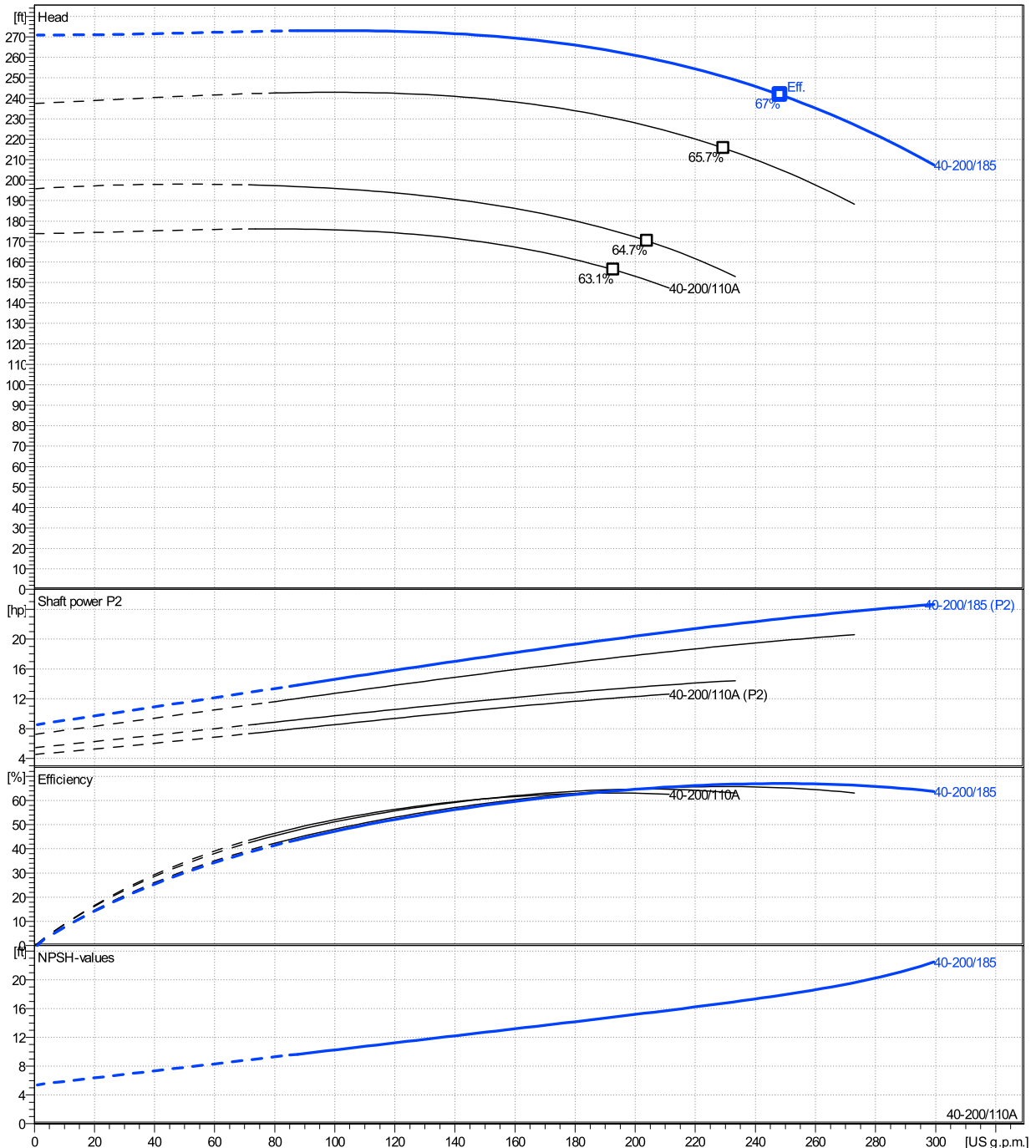
	Ø mm	Pump capacity			Pump head		Shaft power P2			Frequency		Hz	60
		Operating range Min. US g.p.m.	Max. US g.p.m.	η Max. US g.p.m.	H(Q=0) ft	η Max. ft	P2(Q=0) hp	Max. hp	η Max. hp	Operating speed rpm	Nominal flow US g.p.m.		
actual	7 13/16	87.6	299	248	271	242	24.6	22.7	24.6	22.7	Nominal head	ft	0
Min.	0	/	/	193	174	156	/	/	/	/	Inlet pressure	psi	0
Max.	7 13/16	/	/	248	271	242	/	/	/	/	Static head	ft	0

**Power datas referred to:**

hydr. Performance acceptance acc. To EN ISO 9906 Class Grade 3B

Water, pure [100%] ; 39.2°F; 62.4lb/ft³; 1.69E-5ft²/s

MEI: N.A - according to Ecodesign Directive 2009/125/EC and Regulation (EU) No.547/2012



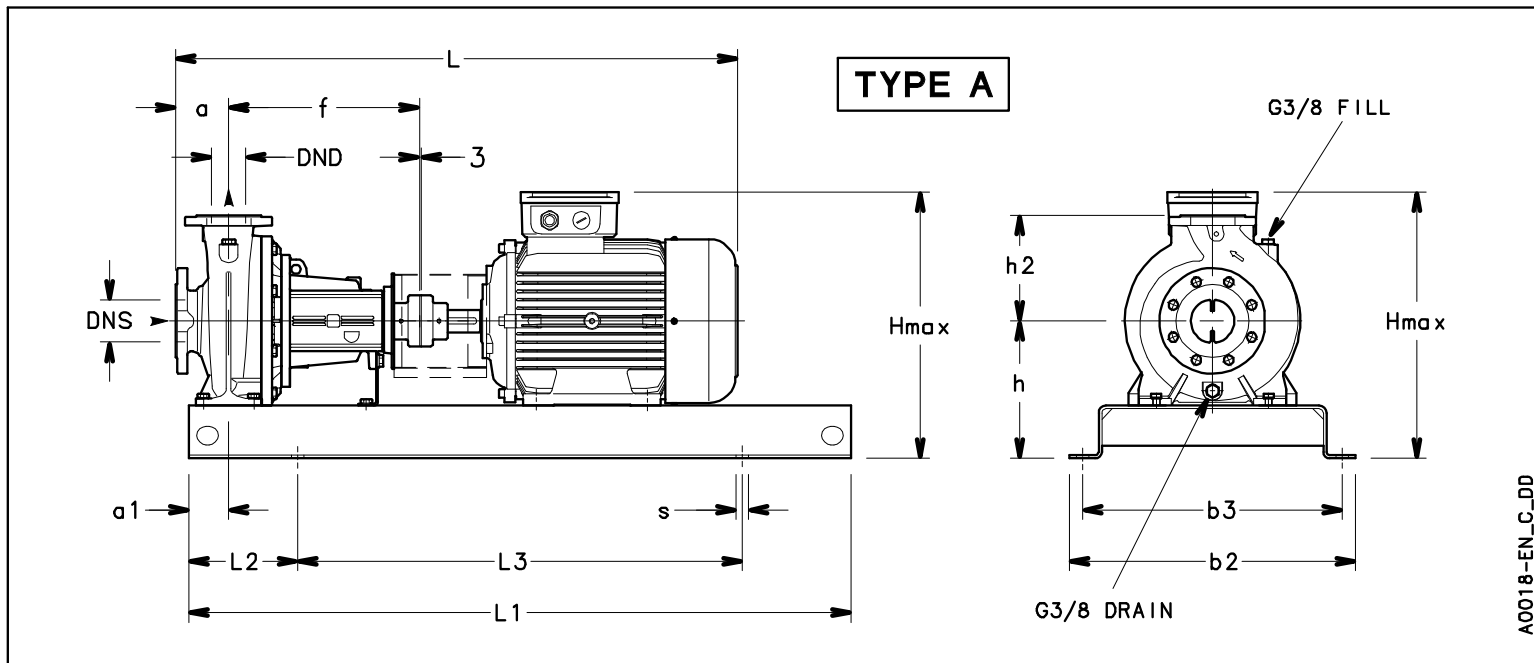
# NSCF40-200/185/P26PCS4

## Dimensions

Company name  
Contact  
Phone number  
e-mail address

Frame mounted  
[F] = 2 poles motor unit with standard coupling  
PLM 160 B3 18,5 kW

Electrical and dimensional data refer to IE3 motor



### Dimensions [ inch ]

a	3 <sup>15</sup> / <sub>16</sub>		
a1	2 <sup>15</sup> / <sub>16</sub>		
AD	9 <sup>7</sup> / <sub>16</sub>		
b2	19 <sup>5</sup> / <sub>16</sub>		
b3	17 <sup>5</sup> / <sub>16</sub>		
DND	1 <sup>9</sup> / <sub>16</sub>		
DNS	2 <sup>9</sup> / <sub>16</sub>		
f	14 <sup>3</sup> / <sub>16</sub>		
Guard	6 <sup>7</sup> / <sub>16</sub>		
h	10 <sup>1</sup> / <sub>4</sub>		
h2	7 <sup>1</sup> / <sub>16</sub>		
Hmax	19 <sup>11</sup> / <sub>16</sub>		
L	42 <sup>1</sup> / <sub>64</sub>		
L1	44 <sup>1</sup> / <sub>8</sub>		
L2	7 <sup>1</sup> / <sub>2</sub>		
L3	29 <sup>1</sup> / <sub>8</sub>		
s	4xØ24		
Type	A		
Volumen	1 <sup>1</sup> / <sub>64</sub>		
x	1 <sup>1</sup> / <sub>8</sub>		

Weight	
Total weight	184.84 kg

Connections			
Suction nozzle		Discharge nozzle	
DN 65		DN 40	
PN 16		PN 16	
EN1092-2		EN1092-2	
C	1 <sup>3</sup> / <sub>16</sub>	C	1 <sup>1</sup> / <sub>16</sub>
D	7 <sup>5</sup> / <sub>16</sub>	D	5 <sup>7</sup> / <sub>8</sub>
df	4 <sup>5</sup> / <sub>8</sub>	df	3 <sup>5</sup> / <sub>16</sub>
DN	2 <sup>9</sup> / <sub>16</sub>	DN	1 <sup>9</sup> / <sub>16</sub>
K	5 <sup>11</sup> / <sub>16</sub>	K	4 <sup>5</sup> / <sub>16</sub>
L	4 x 19	L	4 x 19

Note:  
Weight and Dimensions of selected Hydrovar are NOT considered.  
Please refer to additional datasheet.

### Dimensions and weight without obligation

Project	Xylect-20182283	Created by		Last update	1/11/2025
Block	NSCF40-200/185/P26PCS4	Created on	1/11/2025		

