

NSCF40-250/185/P26PCS4

Technical data

Company name
Contact
Phone number
e-mail address

Operating data					
1	Pumpe type	Single head pump		Fluid	Water, pure
2	No. of pumps	1		Operating temperature t A	°F 39.2
3	Nominal flow	US g.p.m.	0	Max / Min Operating Temperature mech. Seal	°F 120 / -25
4	Nominal head	ft	0	pH-value at t A	7
5	Static head	ft	0	Density at t A	lb/ft³ 62.4
6	Inlet pressure	psi	0	Kin. viscosity at t A	ft²/s 1.689E-5
7	Environmental temperature	°F	68	Vapor pressure at t A	psi 14.5
8	Available system NPSH	ft	0	Altitude	0

Pump data					
9	Lubrication	Standard, Grease lubrication [Std]			
10	Execution	[F] = 2 poles motor unit with standard cuopling			
11	Design	Horizontal		Impeller Ø	Max. inch 10 1/8
12	Operating speed	3500 rpm	Stages 1		designed inch 8 1/4
13	Suction nozzle	DN 65 / PN 16 / EN1092-2			Min. inch 8 1/4
14	Discharge nozzle	DN 40 / PN 16 / EN1092-2		Flow	Nominal US g.p.m.
15	Max. casing pressure	psi			Max- US g.p.m. 242.2
16	Max. working pressure	psi	126.5	Min- US g.p.m. 92.9	
17	Impeller type	Radial impeller		Head	Nominal ft
18	Head H(Q=0)	ft	290		at Qmax ft 244.4
19	Max. shaft power	hp	24.7	at Qmin ft 292.1	
20	Pump weight	kg	132.3	Shaft power	hp
21	Total weight	lb	467.7	Efficiency	%
				NPSH 3%	ft

Materials					
22		Pump		Shaft Seal	
23	Volute Casing	Cast Iron		Single mechanical seal, without shaft sleeve	
24	Casing Cover	Cast Iron		eMG12 - Ø28mm	BQ7EGG-WA
25	Impeller	Fabricated Stainless Steel		Mechanical seal diameter	1 1/8 inch
26	Shaft	Stainless steel		1. Rotating ring	Carbon graphite resin impregnated
27	Wear ring	Stainless steel		2. Stationary ring	SiC, silicon carbide, sintered press. less
28	Impeller lock nut and washer	Stainless steel		3. Secondary seal	Ethylene propylene rubber (EPDM)
29	Impeller key	Stainless steel		4. Springs	CrNiMo - Steel
30	Fill and drain plugs	Stainless steel		5. Others	EPDM - WRAS
31				Gaskets of the pump	Ethylene propylene rubber (EPDM)
32					
33					
34					
35					
36					
37					
38					
39					
40					
41					

Motor data				Electrical and dimensional data refer to IE3 motor		Coupling	
42	Manufacturer	Lowara		Manufacturer	Flender		
43	Specific design	IE3 3ph Surface Motor - Premium Efficiency		Series	Standard Coupling - N-EUPEX - Type B		
44	Type	PLM 160 B3 18,5 kW		Shaft diameter	Pump 15/16 inch	Motor 1 5/8 inch	
45	Rated power	24.809 hp	Rated current	33.7 A	Frame size	95	
46	Nominal speed	3540 rpm	Rated voltage	380 V	Spacer length	inch	1/8
47	Frame size	160	Service factor	1	Weight	lb	4.9
48	Weight	lb 235.9	Degree of protection	IP55	Coupling protection	COUPLGUARD 175x152PNTD	0.72751 lb

Base plate			Remarks	
49	Name	BASE 6A 1250X540 BLU		
50	Weight	lb	93.9	

Project	Xylect-20182283	Created by		Last update	1/11/2025
Block	NSCF40-250/370/L26UCS4	Created on	1/11/2025		

NSCF40-250/185/P26PCS4

Performance curve

Company name
Contact
Phone number
e-mail address

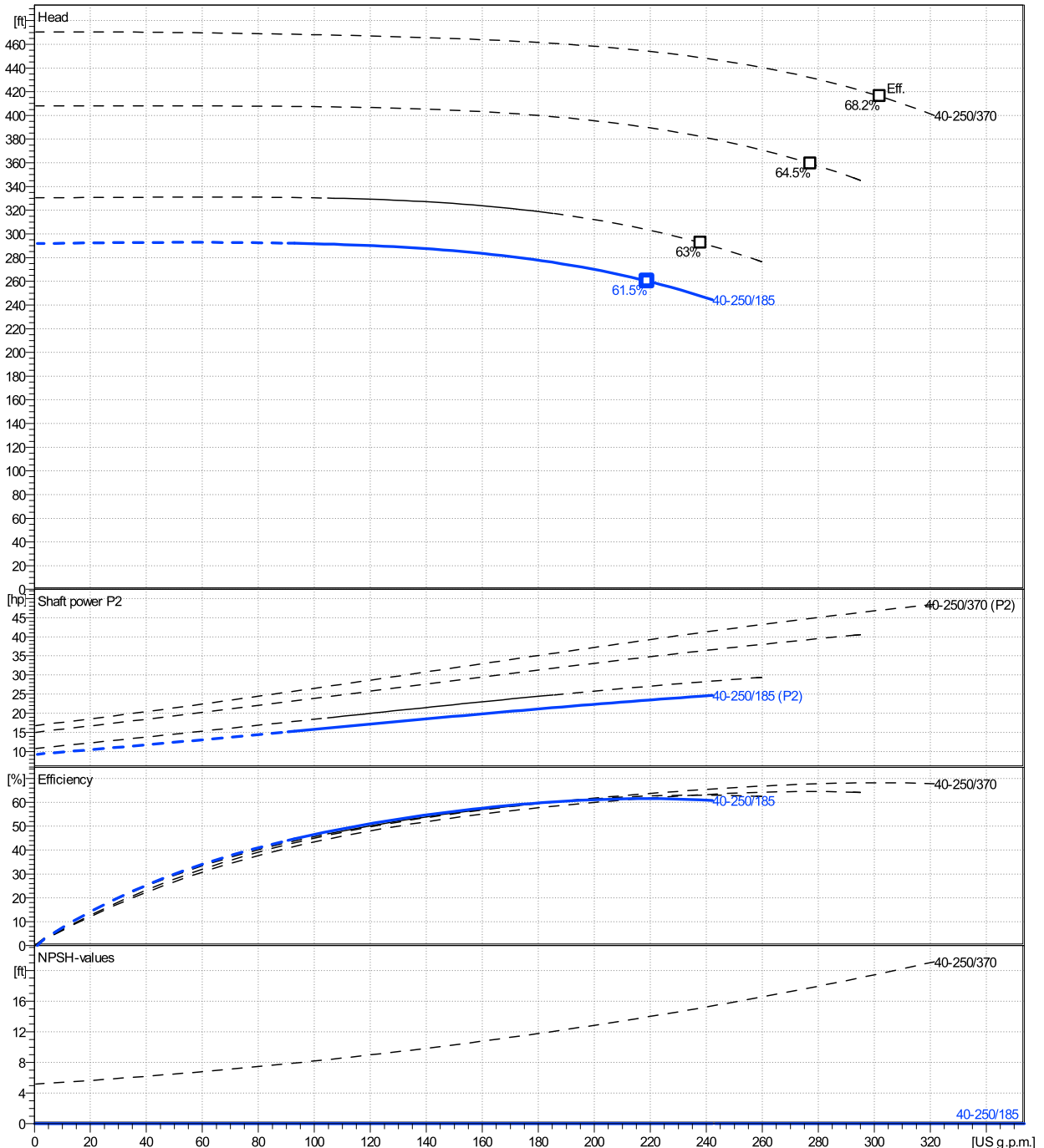
	Ø mm	Pump capacity			Pump head		Shaft power P2			Frequency	Hz	
		Operating range Min. US g.p.m.	Max. US g.p.m.	η Max. US g.p.m.	H(Q=0) ft	η Max. ft	P2(Q=0) hp	Max. hp	η Max. hp	Operating speed	rpm	
actual	8 1/4	92.9	242	219	292	260	24.7	23.4	Nominal flow	US g.p.m.	0	
Min.	0	/	/	219	292	260	/	23.4	Nominal head	ft	0	
Max.	10 1/8	/	/	302	470	416	/	46.9	Inlet pressure	psi	0	
									Static head	ft	0	

Power datas referred to:

hydr. Performance acceptance acc. To EN ISO 9906 Class Grade 3B

Water, pure [100%] ; 39.2°F; 62.4lb/ft³; 1.69E-5ft²/s

MEI: N.A - according to Ecodesign Directive 2009/125/EC and Regulation (EU) No.547/2012



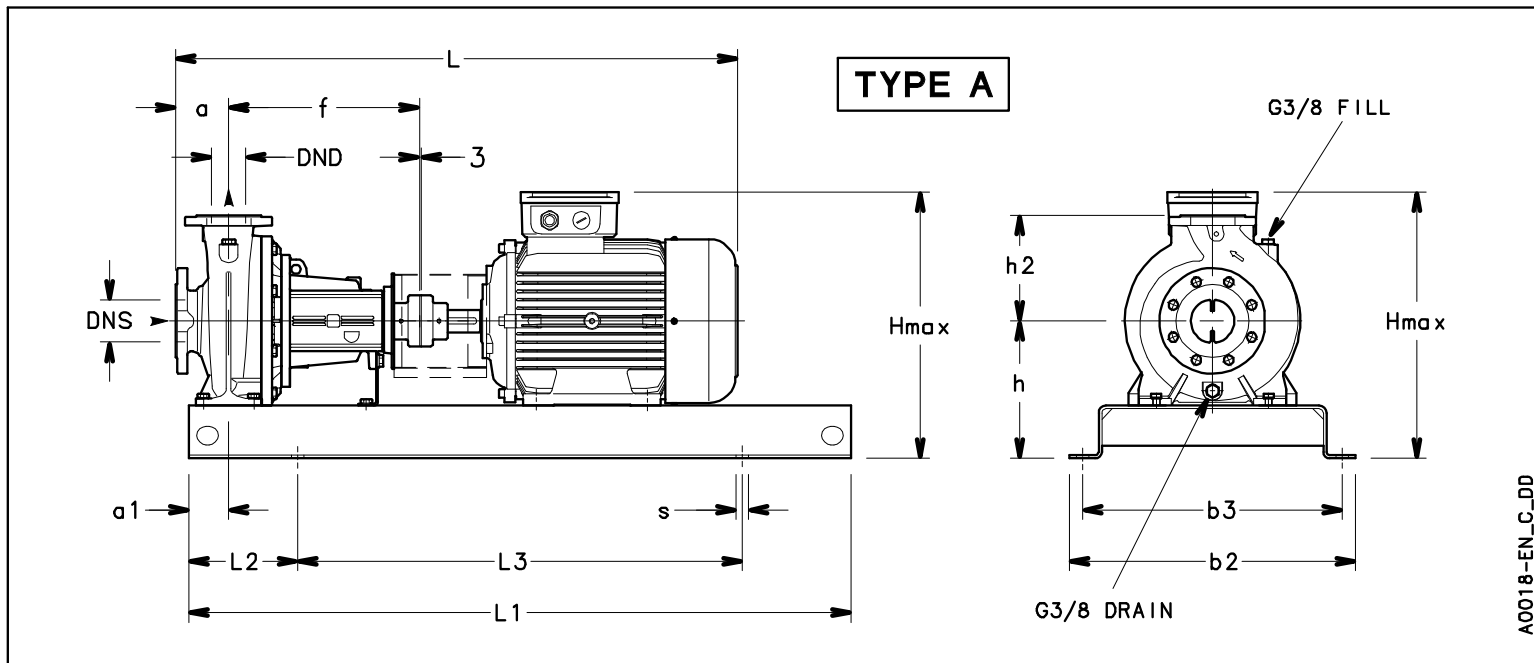
NSCF40-250/185/P26PCS4

Dimensions

Company name
Contact
Phone number
e-mail address

Frame mounted
[F] = 2 poles motor unit with standard coupling
PLM 160 B3 18,5 kW

Electrical and dimensional data refer to IE3 motor



Dimensions [inch]

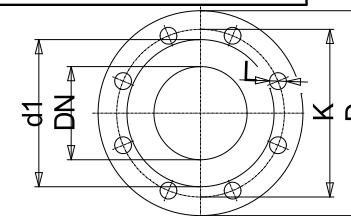
a	3 ¹⁵ / ₁₆		
a1	2 ¹⁵ / ₁₆		
AD	9 ⁷ / ₁₆		
b2	21 ¹ / ₄		
b3	19 ⁹ / ₁₆		
DND	1 ⁹ / ₁₆		
DNS	2 ⁹ / ₁₆		
f	14 ³ / ₁₆		
Guard	6 ⁷ / ₁₆		
h	11 ¹ / ₃₂		
h2	8 ⁷ / ₈		
Hmax	20 ¹ / ₂		
L	42 ¹ / ₆₄		
L1	49 ³ / ₁₆		
L2	8 ¹ / ₁₆		
L3	33 ¹ / ₁₆		
s	4xØ24		
Type	A		
Volumen	1 ¹ / ₆₄		
x	1 ¹ / ₈		

Weight

Total weight	212.13 kg
--------------	-----------

Connections

Suction nozzle		Discharge nozzle	
DN 65		DN 40	
PN 16		PN 16	
EN1092-2		EN1092-2	
C	1 ³ / ₁₆	C	1 ¹ / ₁₆
D	7 ⁵ / ₁₆	D	5 ⁷ / ₈
df	4 ⁵ / ₈	df	3 ⁵ / ₁₆
DN	2 ⁹ / ₁₆	DN	1 ⁹ / ₁₆
K	5 ¹¹ / ₁₆	K	4 ⁵ / ₁₆
L	4 x 19	L	4 x 19



Value C, D may vary from Standard

Note:
Weight and Dimensions of selected Hydrovar are NOT considered.
Please refer to additional datasheet.

Dimensions and weight without obligation

Project	Xylect-20182283	Created by		Last update	1/11/2025
Block	NSCF40-250/370/L26UCS4	Created on	1/11/2025		