

# NSCF50-200/220/L26UCS4

## Technical data

Company name  
Contact  
Phone number  
e-mail address

Operating data				
1	Pumpe type	Single head pump	Fluid	Water, pure
2	No. of pumps	1	Operating temperature at A	°F 39.2
3	Nominal flow	US g.p.m. 0	Max / Min Operating Temperature mech. Seal	°F 120 / -25
4	Nominal head	ft 0	pH-value at t A	7
5	Static head	ft 0	Density at t A	lb/ft³ 62.4
6	Inlet pressure	psi 0	Kin. viscosity at t A	ft²/s 1.689E-5
7	Environmental temperature	°F 68	Vapor pressure at t A	psi 14.5
8	Available system NPSH	ft 0	Altitude	0

Pump data				
9	Lubrication	Standard, Grease lubrication [Std]		
10	Execution	[F] = 2 poles motor unit with standard cuopling		
11	Design	Horizontal		
12	Operating speed	3500 rpm	Stages	1
13	Suction nozzle	DN 65 / PN 16 / EN1092-2	Impeller Ø	Max. inch 8 1/4
14	Discharge nozzle	DN 50 / PN 16 / EN1092-2		designed inch 7 11/16
15	Max. casing pressure	psi	Flow	Min. inch 7 1/16
16	Max. working pressure	psi 101		Nominal US g.p.m.
17	Impeller type	Radial impeller		Max- US g.p.m. 431.5
18	Head H(Q=0)	ft 230	Head	Min- US g.p.m. 127.7
19	Max. shaft power	hp 29.2		Nominal ft
20	Pump weight	kg 92.6	at Qmax ft 195.5	at Qmin ft 237.8
21	Total weight	lb 475.2	Shaft power	hp
			Efficiency	%
			NPSH 3%	ft

Materials				
22		<b>Pump</b>	<b>Shaft Seal</b>	
23	Volute Casing	Cast Iron	Single mechanical seal, without shaft sleeve	
24	Casing Cover	Cast Iron	eMG12 - Ø28mm	BQ7EGG-WA
25	Impeller	Fabricated Stainless Steel	Mechanical seal diameter	1 1/8 inch
26	Shaft	Stainless steel	1. Rotating ring	Carbon graphite resin impregnated
27	Wear ring	Stainless steel	2. Stationary ring	SiC, silicon carbide, sintered press. less
28	Impeller lock nut and washer	Stainless steel	3. Secondary seal	Ethylene propylene rubber (EPDM)
29	Impeller key	Stainless steel	4. Springs	CrNiMo - Steel
30	Fill and drain plugs	Stainless steel	5. Others	EPDM - WRAS
31			Gaskets of the pump	Ethylene propylene rubber (EPDM)
32				
33				
34				
35				
36				
37				
38				
39				
40				
41				

Motor data				Electrical and dimensional data refer to IE3 motor		Coupling	
42	Manufacturer	Lowara		Manufacturer	Flender		
43	Specific design	IE3 3ph Surface Motor - Premium Efficiency		Series	Standard Coupling - N-EUPEX - Type B		
44	Type	3MAS 180 M B3 22 kW		Shaft diameter	Pump 15/16 inch	Motor 1 7/8 inch	
45	Rated power	29.502 hp	Rated current	39.6 A	Frame size	110	
46	Nominal speed	3546 rpm	Rated voltage	380 V	Spacer length	inch	1/8
47	Frame size	180 M	Service factor	1	Weight	lb	7.3
48	Weight	lb 280.6	Degree of protection	IP55	Coupling protection	COUPLGUARD 160x162PNTD	0.74956 lb

Base plate			Remarks	
49	Name	BASE 6A 1250X540 BLU		
50	Weight	lb 93.9		

Project	Xylect-20182283	Created by		Last update	1/11/2025
Block	NSCF50-200/300/L26UCS4	Created on	1/11/2025		

# NSCF50-200/220/L26UCS4

## Performance curve

Company name  
Contact  
Phone number  
e-mail address

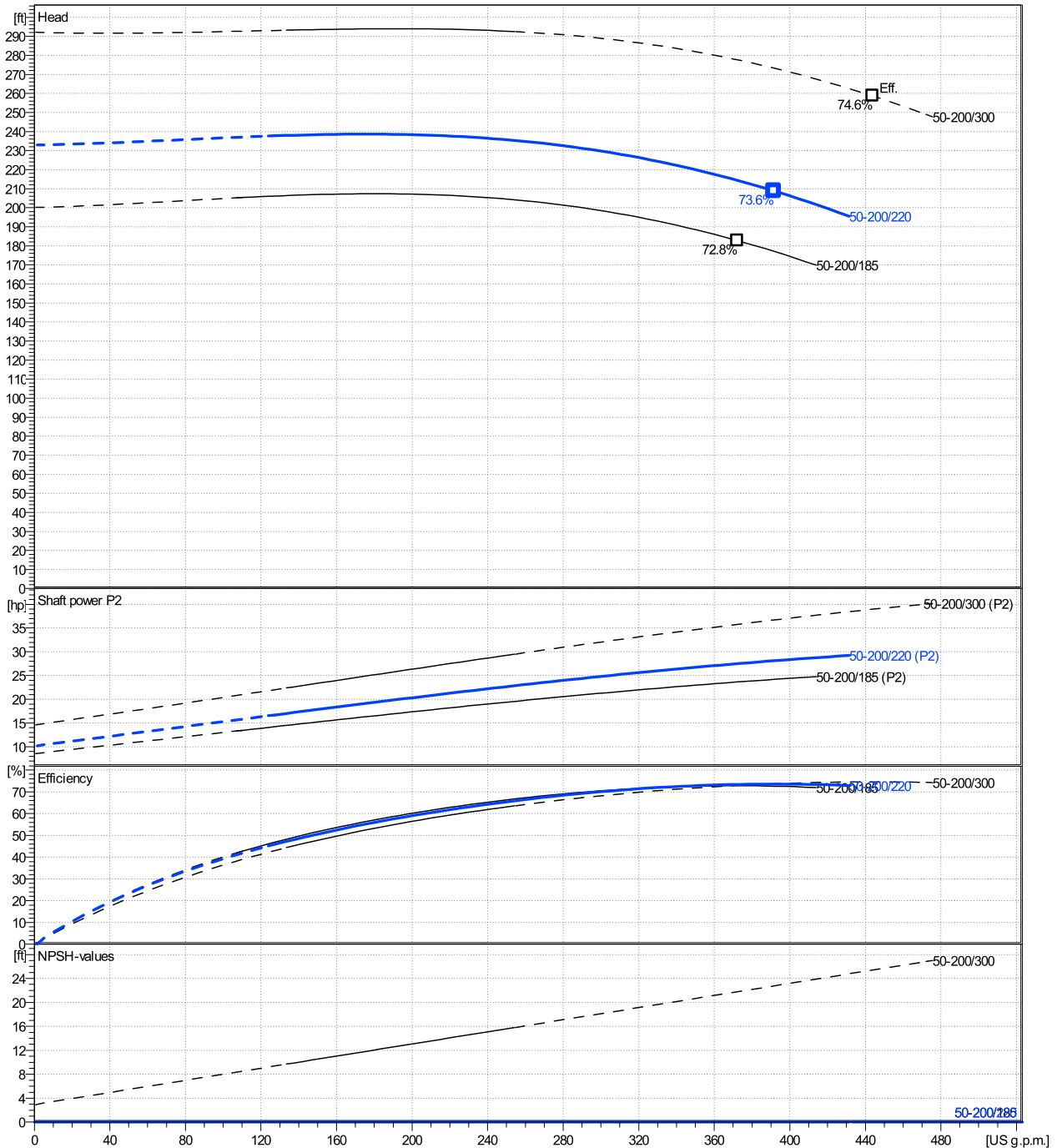
	Ø mm	Pump capacity			Pump head		Shaft power P2			Frequency	Hz	
		Operating range Min. US g.p.m.	Max. US g.p.m.	η Max. US g.p.m.	H(Q=0) ft	η Max. ft	P2(Q=0) hp	Max. hp	η Max. hp	Operating speed	rpm	
actual	7 11/16	128	431	392	233	209		29.2	28.1	Nominal flow	US g.p.m.	0
Min.	0	/	/	372	200	183		/	23.6	Nominal head	ft	0
Max.	8 1/4	/	/	444	292	259		/	39	Inlet pressure	psi	0
										Static head	ft	0

**Power datas referred to:**

hydr. Performance acceptance acc. To EN ISO 9906 Class Grade 3B

Water, pure [100%] ; 39.2°F; 62.4lb/ft³; 1.69E-5ft²/s

MEI: N.A - according to Ecodesign Directive 2009/125/EC and Regulation (EU) No.547/2012



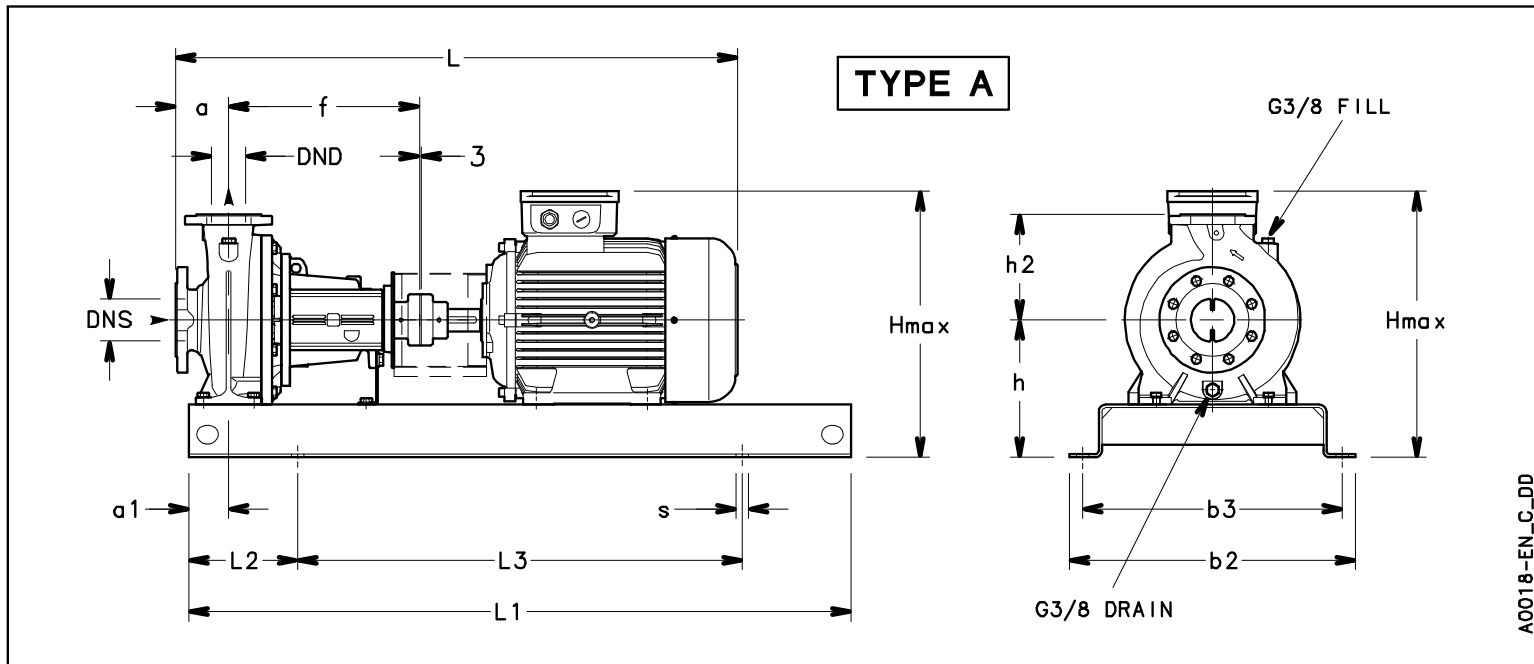
**NSCF50-200/220/L26UCS4**

**Dimensions**

Company name  
Contact  
Phone number  
e-mail address

Frame mounted  
[F] = 2 poles motor unit with standard coupling  
3MAS 180 M B3 22 kW

Electrical and dimensional data refer to IE3 motor



**Dimensions [ inch ]**

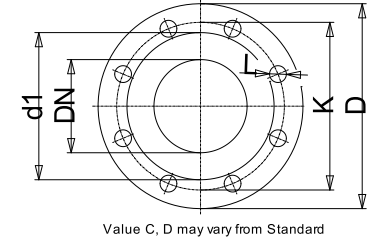
a	3 <sup>15</sup> / <sub>16</sub>		
a1	2 <sup>15</sup> / <sub>16</sub>		
AD	10 <sup>3</sup> / <sub>8</sub>		
b2	21 <sup>1</sup> / <sub>4</sub>		
b3	19 <sup>9</sup> / <sub>16</sub>		
DND	1 <sup>15</sup> / <sub>16</sub>		
DNS	2 <sup>9</sup> / <sub>16</sub>		
f	14 <sup>3</sup> / <sub>16</sub>		
Guard	6 <sup>7</sup> / <sub>16</sub>		
h2	7 <sup>7</sup> / <sub>8</sub>		
L	45 <sup>13</sup> / <sub>16</sub>		
L1	49 <sup>9</sup> / <sub>16</sub>		
L2	8 <sup>1</sup> / <sub>16</sub>		
L3	33 <sup>1</sup> / <sub>16</sub>		
s	4xØ24		
Type	A		
x	1 <sup>1</sup> / <sub>8</sub>		

**Weight**

Total weight	215.54 kg
--------------	-----------

**Connections**

Suction nozzle		Discharge nozzle	
DN 65		DN 50	
PN 16		PN 16	
EN1092-2		EN1092-2	
C	1 <sup>3</sup> / <sub>16</sub>	C	1 <sup>3</sup> / <sub>16</sub>
D	7 <sup>5</sup> / <sub>16</sub>	D	6 <sup>1</sup> / <sub>2</sub>
df	4 <sup>5</sup> / <sub>8</sub>	df	3 <sup>7</sup> / <sub>8</sub>
DN	2 <sup>9</sup> / <sub>16</sub>	DN	1 <sup>15</sup> / <sub>16</sub>
K	5 <sup>11</sup> / <sub>16</sub>	K	4 <sup>15</sup> / <sub>16</sub>
L	4 x 19	L	4 x 19



Note:  
Weight and Dimensions of selected Hydrovar are NOT considered.  
Please refer to additional datasheet.

**Dimensions and weight without obligation**

Project	Xylect-20182283	Created by		Last update	1/11/2025
Block	NSCF50-200/300/L26UCS4	Created on	1/11/2025		