

# NSCF50-250/300/L26UCS4

## Technical data

Company name  
Contact  
Phone number  
e-mail address

Operating data						
1	Pumpe type	Single head pump		Fluid	Water, pure	
2	No. of pumps	1		Operating temperature at A	°F	39.2
3	Nominal flow	US g.p.m.	0	Max / Min Operating Temperature mech. Seal	°F	120 / -25
4	Nominal head	ft	0	pH-value at t A		7
5	Static head	ft	0	Density at t A	lb/ft <sup>3</sup>	62.4
6	Inlet pressure	psi	0	Kin. viscosity at t A	ft <sup>2</sup> /s	1.689E-5
7	Environmental temperature	°F	68	Vapor pressure at t A	psi	14.5
8	Available system NPSH	ft	0	Altitude		0

Pump data										
9	Lubrication	Standard, Grease lubrication [Std]								
10	Execution	[F] = 2 poles motor unit with standard cuopling								
11	Design	Horizontal		Impeller Ø	Max.	inch	9 1/8			
12	Operating speed	3500 rpm	Stages		1	designed	inch	8 11/16		
13	Suction nozzle	DN 65	/		PN 16	/	EN1092-2	Min.	inch	7 15/16
14	Discharge nozzle	DN 50	/	PN 16	/	EN1092-2	Flow	Nominal US g.p.m.		
15	Max. casing pressure	psi						Max-	US g.p.m.	440.3
16	Max. working pressure	psi	138.2				Min-	US g.p.m.	105.7	
17	Impeller type	Radial impeller		Head	Nominal	ft				
18	Head H(Q=0)	ft	320		at Qmax	ft	247.6			
19	Max. shaft power	hp	40.6		at Qmin	ft	317.6			
20	Pump weight	kg	134.5	Shaft power	hp					
21	Total weight	lb	On demand	Efficiency	%					
				NPSH 3%	ft					

Materials					
Pump			Shaft Seal		
23	Volute Casing	Cast Iron		Single mechanical seal, without shaft sleeve	
24	Casing Cover	Cast Iron		eMG12 - Ø28mm	BQ7EGG-WA
25	Impeller	Fabricated Stainless Steel		Mechanical seal diameter	1 1/8 inch
26	Shaft	Stainless steel		1. Rotating ring	Carbon graphite resin impregnated
27	Wear ring	Stainless steel		2. Stationary ring	SiC, silicon carbide, sintered press. less
28	Impeller lock nut and washer	Stainless steel		3. Secondary seal	Ethylene propylene rubber (EPDM)
29	Impeller key	Stainless steel		4. Springs	CrNiMo - Steel
30	Fill and drain plugs	Stainless steel		5. Others	EPDM - WRAS
31				Gaskets of the pump	Ethylene propylene rubber (EPDM)
32					
33					
34					
35					
36					
37					
38					
39					
40					
41					

Motor data				Electrical and dimensional data refer to IE3 motor		Coupling		
42	Manufacturer	Lowara		Manufacturer	Flender			
43	Specific design	IE3 3ph Surface Motor - Premium Efficiency		Series	Standard Coupling - N-EUPEX - Type B			
44	Type	3MAS 200 L B3 30 kW		Shaft diameter	Pump 15/16 inch	Motor 2 3/16 inch		
45	Rated power	40.231 hp	Rated current	54.7 A	Frame size	125		
46	Nominal speed	3552 rpm	Rated voltage	380 V	Spacer length	inch	1/8	
47	Frame size	200 L	Service factor	1	Weight	lb	11.5	
48	Weight	lb	446.0	Degree of protection	IP55	Coupling protection	COUPLGUARD 175x152PNTD	0.72751 lb

Base plate			Remarks	
49	Name	BASE 7B 1400X610 BLU		
50	Weight	lb	119.5	

Project	Xylect-20182283	Created by		Last update	1/11/2025
Block	NSCF50-250/370/L26UCS4	Created on	1/11/2025		

# NSCF50-250/300/L26UCS4

## Performance curve

Company name  
Contact  
Phone number  
e-mail address

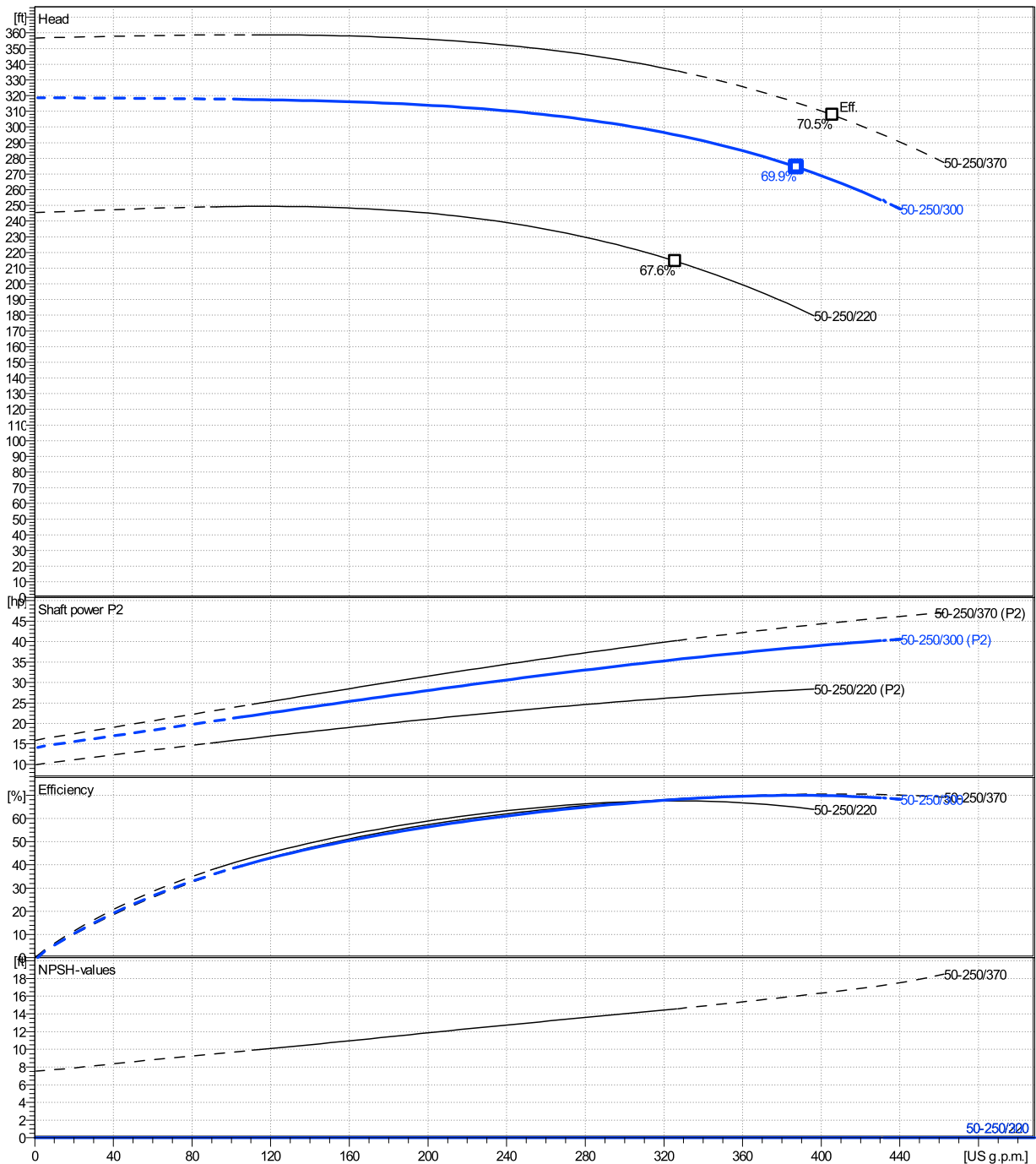
	Ø mm	Pump capacity			Pump head		Shaft power P2			Frequency	Hz	
		Operating range Min. US g.p.m.	Max. US g.p.m.	η Max. US g.p.m.	H(Q=0) ft	η Max. ft	P2(Q=0) hp	Max. hp	η Max. hp	Operating speed	rpm	
actual	8 11/16	106	430	388	319	274		40.6	38.6	Nominal flow	US g.p.m.	0
Min.	0	/	/	326	245	214		/	26.3	Nominal head	ft	0
Max.	9 1/8	/	/	406	357	308		/	44.6	Inlet pressure	psi	0
										Static head	ft	0

**Power datas referred to:**

hydr. Performance acceptance acc. To EN ISO 9906 Class Grade 3B

Water, pure [100%] ; 39.2°F; 62.4lb/ft³; 1.69E-5ft²/s

MEI: N.A - according to Ecodesign Directive 2009/125/EC and Regulation (EU) No.547/2012



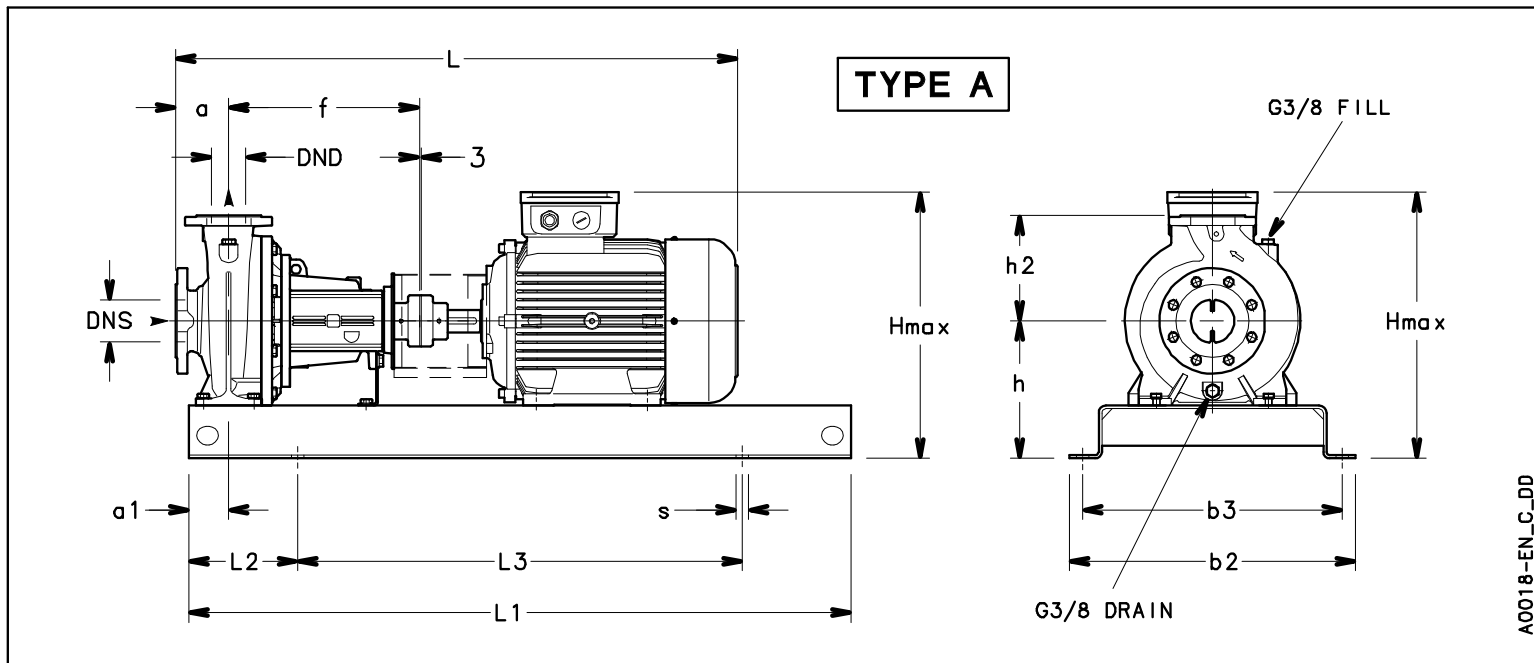
# NSCF50-250/300/L26UCS4

## Dimensions

Company name  
Contact  
Phone number  
e-mail address

Frame mounted  
[F] = 2 poles motor unit with standard coupling  
3MAS 200 L B3 30 kW

Electrical and dimensional data refer to IE3 motor



### Dimensions [ inch ]

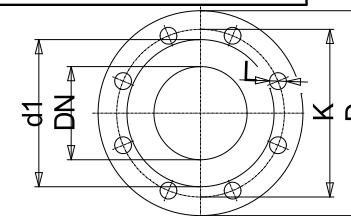
a	3 <sup>15</sup> / <sub>16</sub>		
a1	2 <sup>15</sup> / <sub>16</sub>		
AD	11 <sup>13</sup> / <sub>16</sub>		
b2	24 <sup>1</sup> / <sub>32</sub>		
b3	21 <sup>5</sup> / <sub>8</sub>		
DND	1 <sup>15</sup> / <sub>16</sub>		
DNS	2 <sup>9</sup> / <sub>16</sub>		
f	14 <sup>3</sup> / <sub>16</sub>		
Guard	6 <sup>7</sup> / <sub>16</sub>		
h	12 <sup>3</sup> / <sub>16</sub>		
h2	8 <sup>7</sup> / <sub>8</sub>		
Hmax	24 <sup>1</sup> / <sub>32</sub>		
L1	55 <sup>1</sup> / <sub>8</sub>		
L2	9 <sup>1</sup> / <sub>16</sub>		
L3	37 <sup>1</sup> / <sub>64</sub>		
s	4xØ28		
Type	A		
Volumen	1 <sup>1</sup> / <sub>32</sub>		
x	1 <sup>1</sup> / <sub>8</sub>		

### Weight

Total weight	On demand kg
--------------	--------------

### Connections

Suction nozzle		Discharge nozzle	
DN 65		DN 50	
PN 16		PN 16	
EN1092-2		EN1092-2	
C	1 <sup>3</sup> / <sub>16</sub>	C	1 <sup>3</sup> / <sub>16</sub>
D	7 <sup>5</sup> / <sub>16</sub>	D	6 <sup>1</sup> / <sub>2</sub>
df	4 <sup>5</sup> / <sub>8</sub>	df	3 <sup>7</sup> / <sub>8</sub>
DN	2 <sup>9</sup> / <sub>16</sub>	DN	1 <sup>15</sup> / <sub>16</sub>
K	5 <sup>11</sup> / <sub>16</sub>	K	4 <sup>15</sup> / <sub>16</sub>
L	4 x 19	L	4 x 19



Value C, D may vary from Standard

### Dimensions and weight without obligation

Project	Xylect-20182283	Created by		Last update	1/11/2025
Block	NSCF50-250/370/L26UCS4	Created on	1/11/2025		