

NSCF65-160/150/P26PCC4

Technical data

Company name
Contact
Phone number
e-mail address

| Operating data | | | | |
|----------------|---------------------------|------------------|--|----------------|
| 1 | Pumpe type | Single head pump | Fluid | Water, pure |
| 2 | No. of pumps | 1 | Operating temperature at A | °F 39.2 |
| 3 | Nominal flow | US g.p.m. 0 | Max / Min Operating Temperature mech. Seal | °F 120 / -25 |
| 4 | Nominal head | ft 0 | pH-value at t A | 7 |
| 5 | Static head | ft 0 | Density at t A | lb/ft³ 62.4 |
| 6 | Inlet pressure | psi 0 | Kin. viscosity at t A | ft²/s 1.689E-5 |
| 7 | Environmental temperature | °F 68 | Vapor pressure at t A | psi 14.5 |
| 8 | Available system NPSH | ft 0 | Altitude | 0 |

| Pump data | | | | |
|-----------|-----------------------|---|-------------|--|
| 9 | Lubrication | Standard, Grease lubrication [Std] | | |
| 10 | Execution | [F] = 2 poles motor unit with standard coupling | | |
| 11 | Design | Horizontal | Impeller Ø | Max. inch 7 1/16 designed inch 5 15/16 Min. inch 5 15/16 |
| 12 | Operating speed | 3500 rpm | Stages | 1 |
| 13 | Suction nozzle | DN 80 / PN 16 / EN1092-2 | Flow | Nominal US g.p.m. |
| 14 | Discharge nozzle | DN 65 / PN 16 / EN1092-2 | | Max- US g.p.m. 757.3 Min- US g.p.m. 145.3 |
| 15 | Max. casing pressure | psi | Head | Nominal ft |
| 16 | Max. working pressure | psi 60.5 | | at Qmax ft 72.4 at Qmin ft 139.5 |
| 17 | Impeller type | Radial impeller | | |
| 18 | Head H(Q=0) | ft 140 | Shaft power | hp |
| 19 | Max. shaft power | hp 20 | Efficiency | % |
| 20 | Pump weight | kg 132.3 | NPSH 3% | ft |
| 21 | Total weight | lb 450.9 | | |

| Materials | | | | |
|-----------|------------------------------|-----------------|--|---|
| 22 | | Pump | Shaft Seal | |
| 23 | Volute Casing | Cast Iron | Single mechanical seal, without shaft sleeve | |
| 24 | Casing Cover | Cast Iron | eMG12 - Ø28mm | BQ7EGG-WA |
| 25 | Impeller | Cast Iron | Mechanical seal diameter | 1 1/8 inch |
| 26 | Shaft | Stainless steel | 1. Rotating ring | Carbon graphite resin impregnated |
| 27 | Wear ring | Stainless steel | 2. Stationary ring | SiC, silicon carbide, sintered press.less |
| 28 | Impeller lock nut and washer | Stainless steel | 3. Secondary seal | Ethylene propylene rubber (EPDM) |
| 29 | Impeller key | Stainless steel | 4. Springs | CrNiMo - Steel |
| 30 | Fill and drain plugs | Stainless steel | 5. Others | EPDM - WRAS |
| 31 | | | Gaskets of the pump | Ethylene propylene rubber (EPDM) |
| 32 | | | | |
| 33 | | | | |
| 34 | | | | |
| 35 | | | | |
| 36 | | | | |
| 37 | | | | |
| 38 | | | | |
| 39 | | | | |
| 40 | | | | |
| 41 | | | | |

| Motor data | | | | Electrical and dimensional data refer to IE3 motor | | Coupling | |
|------------|-----------------|--|----------------------|--|--------------------------------------|------------------------|------------|
| 42 | Manufacturer | Lowara | | Manufacturer | Flender | | |
| 43 | Specific design | IE3 3ph Surface Motor - Premium Efficiency | | Series | Standard Coupling - N-EUPEX - Type B | | |
| 44 | Type | PLM 160 B3 15 kW | | Shaft diameter | Pump 15/16 inch | Motor 1 5/8 inch | |
| 45 | Rated power | 20.115 hp | Rated current | 27.5 A | Frame size | 95 | |
| 46 | Nominal speed | 3540 rpm | Rated voltage | 380 V | Spacer length | inch | 1/8 |
| 47 | Frame size | 160 | Service factor | 1 | Weight | lb | 4.9 |
| 48 | Weight | lb 219.4 | Degree of protection | IP55 | Coupling protection | COUPLGUARD 175x152PNTD | 0.72751 lb |

| Base plate | | | Remarks | |
|------------|--------|----------------------|---------|--|
| 49 | Name | BASE 6B 1250X540 BLU | | |
| 50 | Weight | lb 93.7 | | |

| | | | | | |
|---------|------------------------|------------|-----------|-------------|-----------|
| Project | Xylect-20182283 | Created by | | Last update | 1/11/2025 |
| Block | NSCF65-160/300/L26UCC4 | Created on | 1/11/2025 | | |

NSCF65-160/150/P26PCC4

Performance curve

Company name
Contact
Phone number
e-mail address

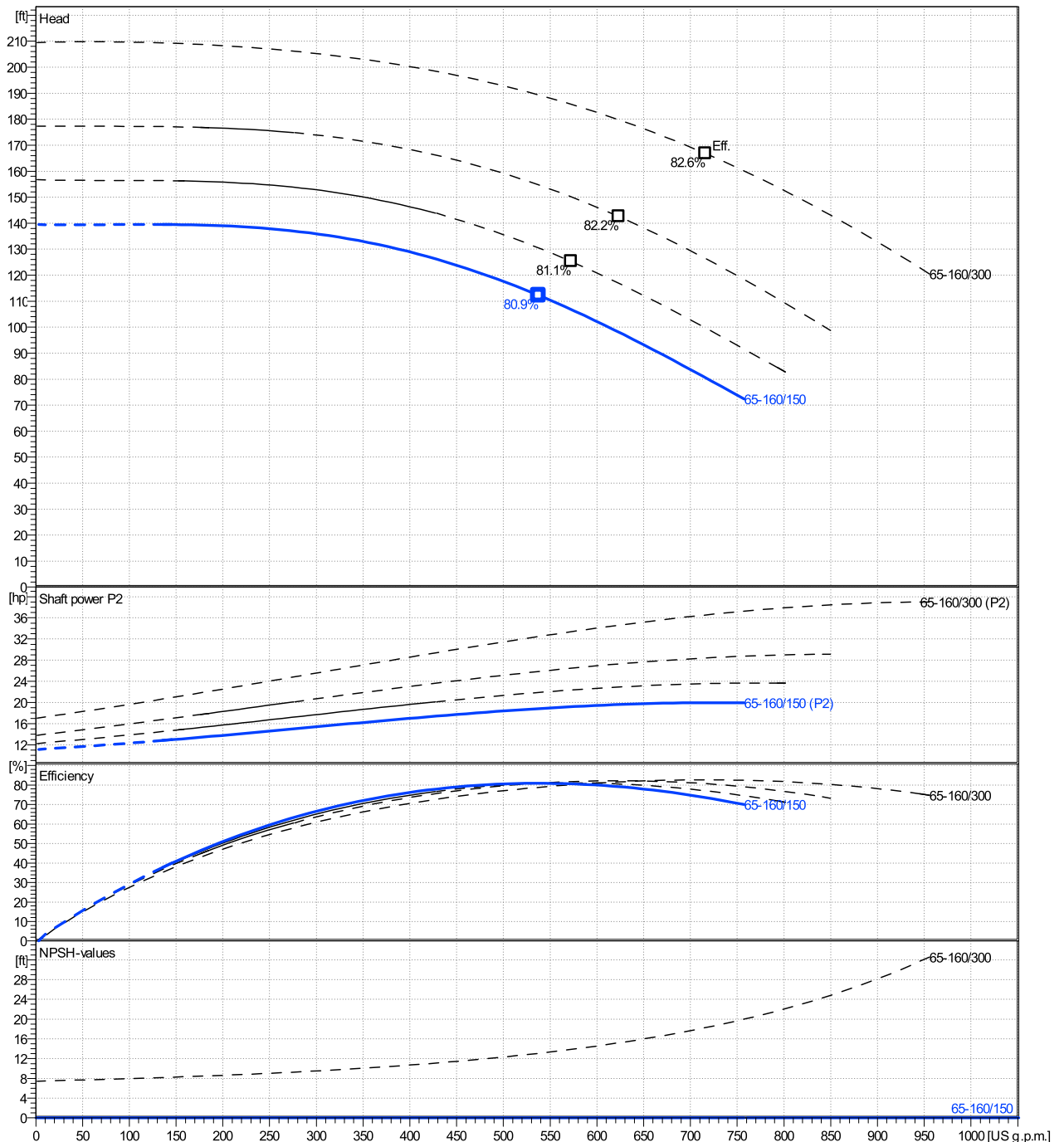
| | Ø mm | Pump capacity | | | Pump head | | Shaft power P2 | | | Frequency | Hz | |
|--------|---------|-------------------|-------------------|------------------------|--------------|-----------------|----------------|------------|-----------------|-----------------|-----------|---|
| | | Min. US g.p.m. | Max. US g.p.m. | η Max. US g.p.m. | H(Q=0) ft | η Max. ft | P2(Q=0) hp | Max. hp | η Max. hp | Operating speed | rpm | |
| actual | 5 15/16 | 145 | 757 | 538 | 139 | 112 | | 20 | 18.8 | Nominal flow | US g.p.m. | 0 |
| Min. | 0 | / | / | 538 | 139 | 112 | | / | 18.8 | Nominal head | ft | 0 |
| Max. | 7 1/16 | / | / | 716 | 210 | 167 | | / | 36.5 | Inlet pressure | psi | 0 |
| | | | | | | | | | | Static head | ft | 0 |

Power datas referred to:

hydr. Performance acceptance acc. To EN ISO 9906 Class Grade 3B

Water, pure [100%] ; 39.2°F; 62.4lb/ft³; 1.69E-5ft²/s

MEI: N.A - according to Ecodesign Directive 2009/125/EC and Regulation (EU) No.547/2012



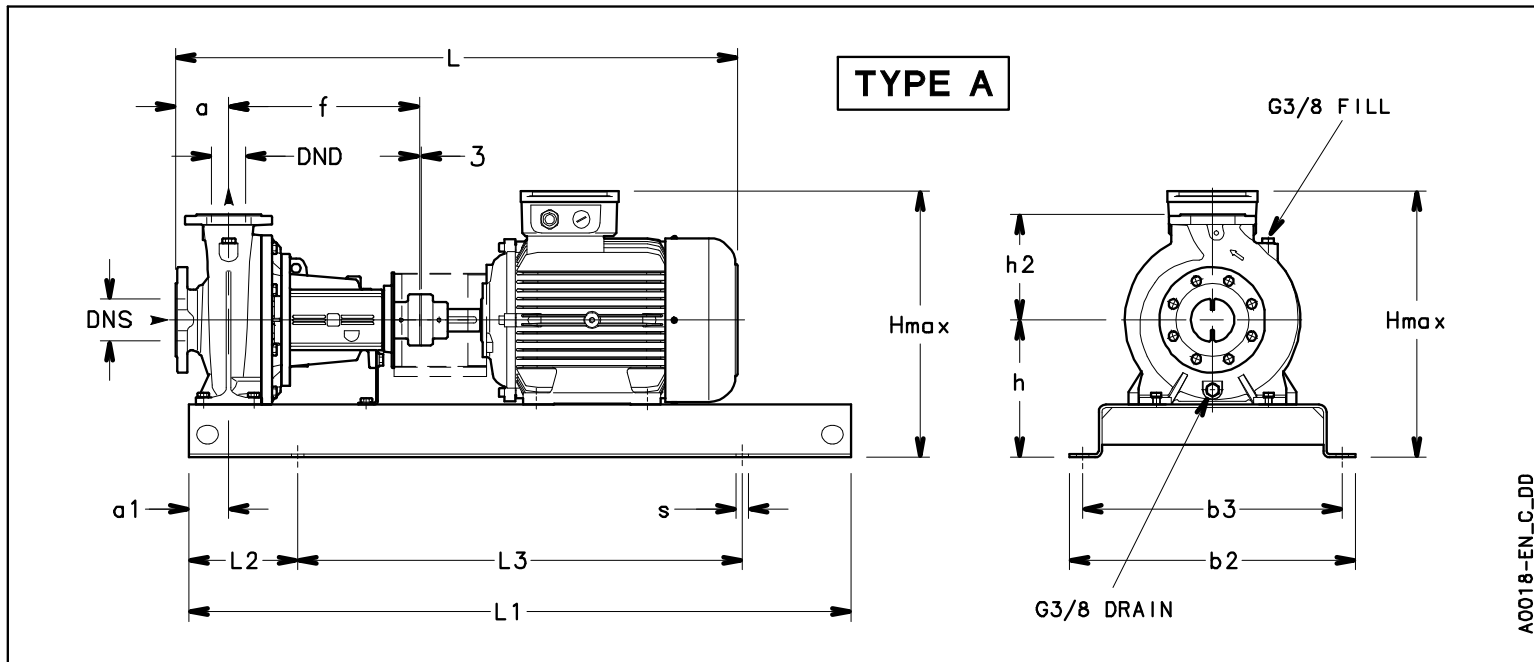
NSCF65-160/150/P26PCC4

Dimensions

Company name
Contact
Phone number
e-mail address

Frame mounted
[F] = 2 poles motor unit with standard coupling
PLM 160 B3 15 kW

Electrical and dimensional data refer to IE3 motor

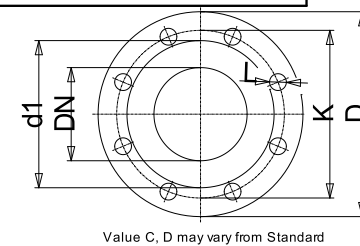


Dimensions [inch]

| | | | |
|---------|----------------------------------|--|--|
| a | 3 ¹⁵ / ₁₆ | | |
| a1 | 2 ¹⁵ / ₁₆ | | |
| AD | 9 ⁷ / ₁₆ | | |
| b2 | 21 ¹ / ₄ | | |
| b3 | 19 ⁹ / ₁₆ | | |
| DND | 2 ⁹ / ₁₆ | | |
| DNS | 3 ¹ / ₈ | | |
| f | 14 ³ / ₁₆ | | |
| Guard | 6 ⁷ / ₁₆ | | |
| h | 10 ¹ / ₄ | | |
| h2 | 7 ⁷ / ₈ | | |
| Hmax | 19 ¹¹ / ₁₆ | | |
| L | 42 ¹ / ₆₄ | | |
| L1 | 49 ³ / ₁₆ | | |
| L2 | 8 ¹ / ₁₆ | | |
| L3 | 33 ¹ / ₁₆ | | |
| s | 4xØ24 | | |
| Type | A | | |
| Volumen | 1 ¹ / ₆₄ | | |
| x | 1 ¹ / ₈ | | |

| Weight | |
|--------------|-----------|
| Total weight | 204.53 kg |

| Connections | | | |
|----------------|--------------------------------|------------------|---------------------------------|
| Suction nozzle | | Discharge nozzle | |
| DN 80 | | DN 65 | |
| PN 16 | | PN 16 | |
| EN1092-2 | | EN1092-2 | |
| C | 7 ⁷ / ₈ | C | 13 ¹ / ₁₆ |
| D | 7 ⁷ / ₈ | D | 7 ⁵ / ₁₆ |
| df | 5 ³ / ₁₆ | df | 4 ⁵ / ₈ |
| DN | 3 ¹ / ₈ | DN | 2 ⁹ / ₁₆ |
| K | 6 ⁵ / ₁₆ | K | 5 ¹¹ / ₁₆ |
| L | 8 x 19 | L | 4 x 19 |



Note:
Weight and Dimensions of selected Hydrovar are NOT considered.
Please refer to additional datasheet.

Dimensions and weight without obligation

| | | | | | |
|---------|------------------------|------------|-----------|-------------|-----------|
| Project | Xylect-20182283 | Created by | | Last update | 1/11/2025 |
| Block | NSCF65-160/300/L26UCC4 | Created on | 1/11/2025 | | |