

# NSCF65-160/220/L26UCC4

## Technical data

Company name  
Contact  
Phone number  
e-mail address

Operating data				
1	Pumpe type	Single head pump	Fluid	Water, pure
2	No. of pumps	1	Operating temperature at A	°F 39.2
3	Nominal flow	US g.p.m. 0	Max / Min Operating Temperature mech. Seal	°F 120 / -25
4	Nominal head	ft 0	pH-value at t A	7
5	Static head	ft 0	Density at t A	lb/ft³ 62.4
6	Inlet pressure	psi 0	Kin. viscosity at t A	ft²/s 1.689E-5
7	Environmental temperature	°F 68	Vapor pressure at t A	psi 14.5
8	Available system NPSH	ft 0	Altitude	0

Pump data				
9	Lubrication	Standard, Grease lubrication [Std]		
10	Execution	[F] = 2 poles motor unit with standard coupling		
11	Design	Horizontal	Impeller Ø	Max. inch 7 1/16 designed inch 6 5/8 Min. inch 5 15/16
12	Operating speed	3500 rpm	Stages	1
13	Suction nozzle	DN 80 / PN 16 / EN1092-2	Flow	Nominal US g.p.m.
14	Discharge nozzle	DN 65 / PN 16 / EN1092-2		Max- US g.p.m. 849.8 Min- US g.p.m. 184.9
15	Max. casing pressure	psi	Head	Nominal ft
16	Max. working pressure	psi 76.9		at Qmax ft 98.7 at Qmin ft 176.8
17	Impeller type	Radial impeller		
18	Head H(Q=0)	ft 180	Shaft power	hp
19	Max. shaft power	hp 29.1	Efficiency	%
20	Pump weight	kg 132.3	NPSH 3%	ft
21	Total weight	lb 514.8		

Materials				
22		<b>Pump</b>	<b>Shaft Seal</b>	
23	Volute Casing	Cast Iron	Single mechanical seal, without shaft sleeve	
24	Casing Cover	Cast Iron	eMG12 - Ø28mm	BQ7EGG-WA
25	Impeller	Cast Iron	Mechanical seal diameter	1 1/8 inch
26	Shaft	Stainless steel	1. Rotating ring	Carbon graphite resin impregnated
27	Wear ring	Stainless steel	2. Stationary ring	SiC, silicon carbide, sintered press.less
28	Impeller lock nut and washer	Stainless steel	3. Secondary seal	Ethylene propylene rubber (EPDM)
29	Impeller key	Stainless steel	4. Springs	CrNiMo - Steel
30	Fill and drain plugs	Stainless steel	5. Others	EPDM - WRAS
31			Gaskets of the pump	Ethylene propylene rubber (EPDM)
32				
33				
34				
35				
36				
37				
38				
39				
40				
41				

Motor data				Electrical and dimensional data refer to IE3 motor		Coupling	
42	Manufacturer	Lowara		Manufacturer	Flender		
43	Specific design	IE3 3ph Surface Motor - Premium Efficiency		Series	Standard Coupling - N-EUPEX - Type B		
44	Type	3MAS 180 M B3 22 kW		Shaft diameter	Pump 15/16 inch	Motor 1 7/8 inch	
45	Rated power	29.502 hp	Rated current	39.6 A	Frame size	110	
46	Nominal speed	3546 rpm	Rated voltage	380 V	Spacer length	inch 1/8	
47	Frame size	180 M	Service factor	1	Weight	lb 7.3	
48	Weight	lb 280.6	Degree of protection	IP55	Coupling protection	COUPLGUARD 175x152PNTD 0.72751 lb	

Base plate			Remarks	
49	Name	BASE 6A 1250X540 BLU		
50	Weight	lb 93.9		

# NSCF65-160/220/L26UCC4

## Performance curve

Company name  
Contact  
Phone number  
e-mail address

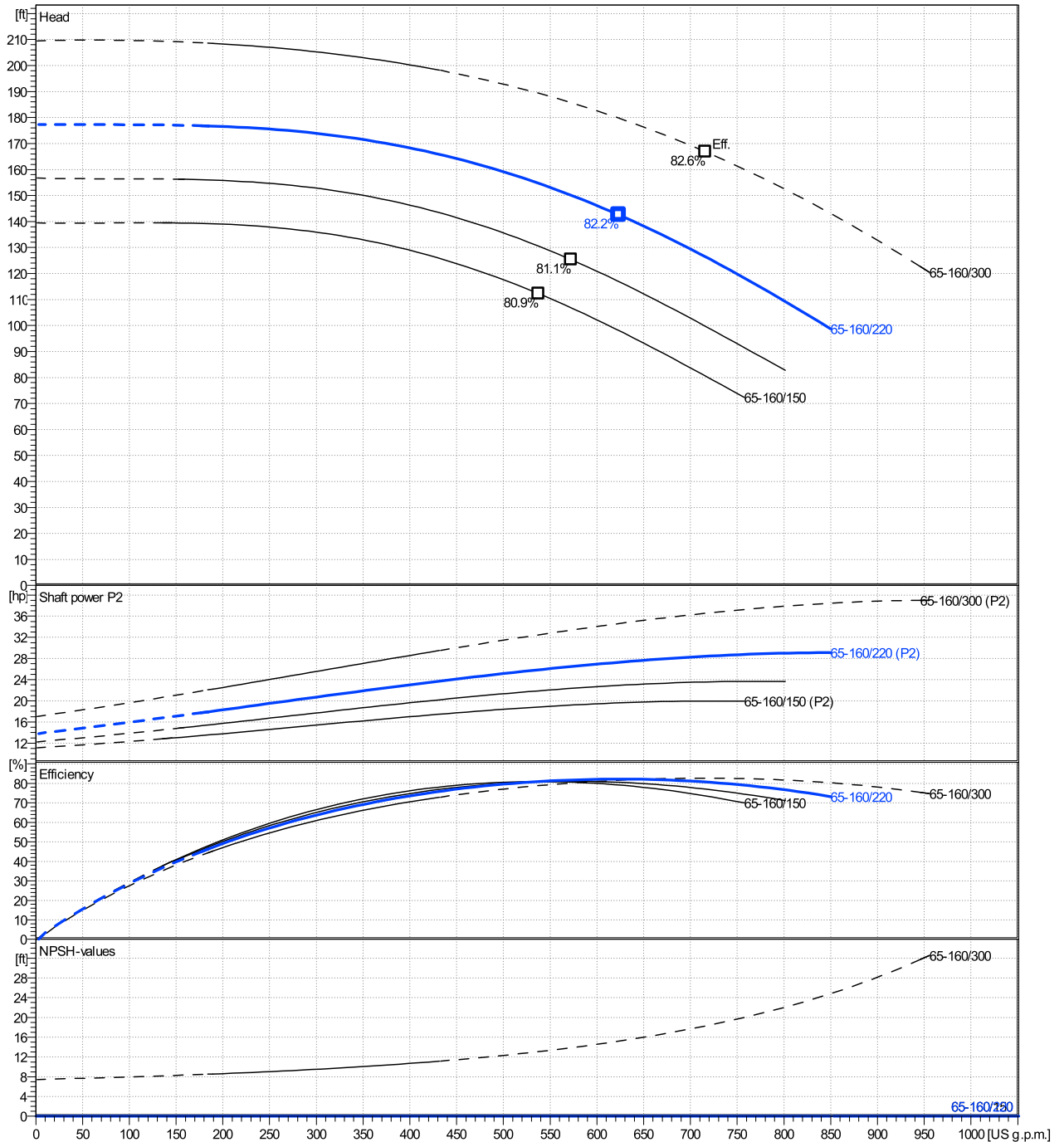
	Ø mm	Pump capacity Operating range η			Pump head η		Shaft power P2 η			Frequency	Hz	
		Min. US g.p.m.	Max. US g.p.m.	Max. US g.p.m.	H(Q=0) ft	Max. ft	P2(Q=0) hp	Max. hp	Max. hp	Operating speed	rpm	
actual	6 5/8	185	850	623	177	143		29.1	27.3	Nominal flow	US g.p.m.	0
Min.	0	/	/	538	139	112		/	18.8	Nominal head	ft	0
Max.	7 1/16	/	/	716	210	167		/	36.5	Inlet pressure	psi	0
										Static head	ft	0

**Power datas referred to:**

hydr. Performance acceptance acc. To EN ISO 9906 Class Grade 3B

Water, pure [100%] ; 39.2°F; 62.4lb/ft³; 1.69E-5ft²/s

MEI: N.A - according to Ecodesign Directive 2009/125/EC and Regulation (EU) No.547/2012



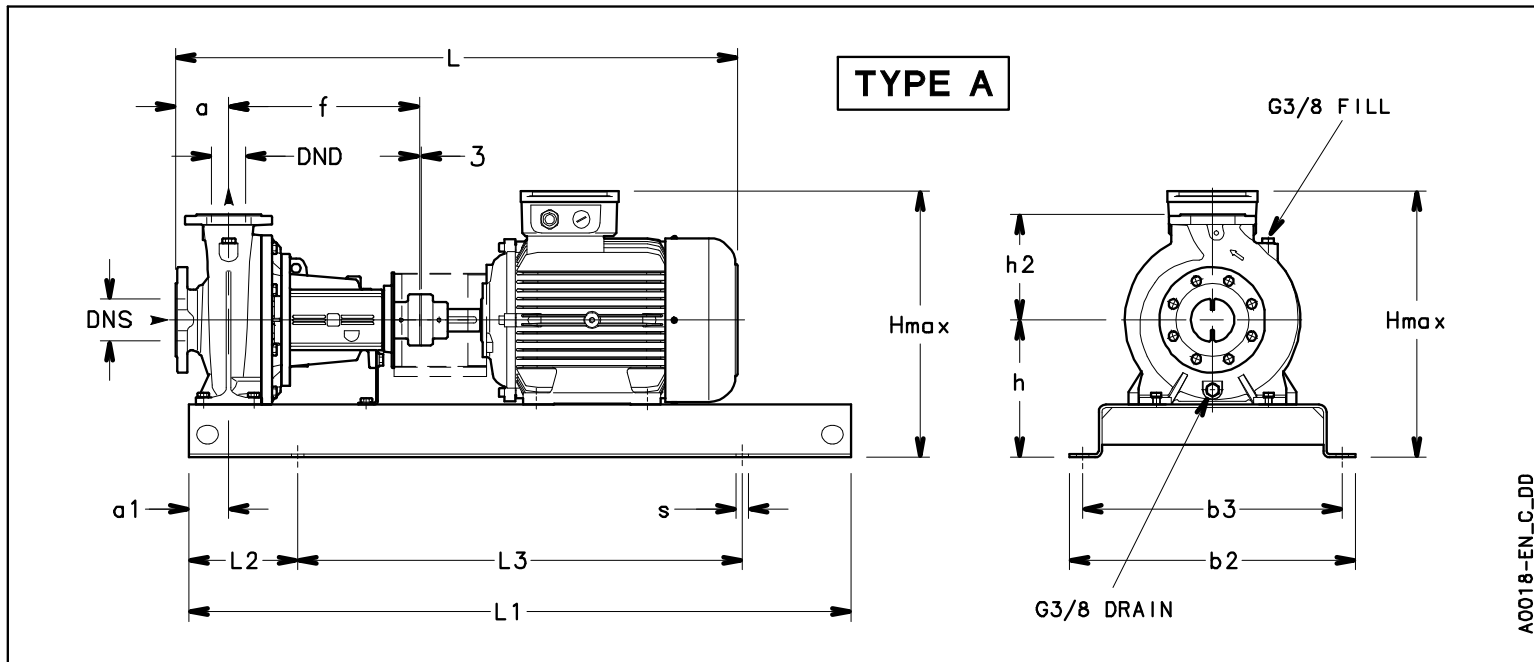
# NSCF65-160/220/L26UCC4

## Dimensions

Company name  
Contact  
Phone number  
e-mail address

Frame mounted  
[F] = 2 poles motor unit with standard coupling  
3MAS 180 M B3 22 kW

Electrical and dimensional data refer to IE3 motor

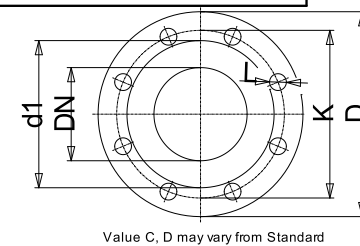


### Dimensions [ inch ]

a	3 <sup>15</sup> / <sub>16</sub>		
a1	2 <sup>15</sup> / <sub>16</sub>		
AD	10 <sup>3</sup> / <sub>8</sub>		
b2	21 <sup>1</sup> / <sub>4</sub>		
b3	19 <sup>9</sup> / <sub>16</sub>		
DND	2 <sup>9</sup> / <sub>16</sub>		
DNS	3 <sup>1</sup> / <sub>8</sub>		
f	14 <sup>3</sup> / <sub>16</sub>		
Guard	6 <sup>7</sup> / <sub>16</sub>		
h2	7 <sup>7</sup> / <sub>8</sub>		
L	45 <sup>13</sup> / <sub>16</sub>		
L1	49 <sup>9</sup> / <sub>16</sub>		
L2	8 <sup>1</sup> / <sub>16</sub>		
L3	33 <sup>1</sup> / <sub>16</sub>		
s	4xØ24		
Type	A		
x	1 <sup>1</sup> / <sub>8</sub>		

Weight	
Total weight	233.53 kg

Connections			
Suction nozzle		Discharge nozzle	
DN 80		DN 65	
PN 16		PN 16	
EN1092-2		EN1092-2	
C	7 <sup>7</sup> / <sub>8</sub>	C	13 <sup>1</sup> / <sub>16</sub>
D	7 <sup>7</sup> / <sub>8</sub>	D	7 <sup>5</sup> / <sub>16</sub>
df	5 <sup>3</sup> / <sub>16</sub>	df	4 <sup>5</sup> / <sub>8</sub>
DN	3 <sup>1</sup> / <sub>8</sub>	DN	2 <sup>9</sup> / <sub>16</sub>
K	6 <sup>5</sup> / <sub>16</sub>	K	5 <sup>11</sup> / <sub>16</sub>
L	8 x 19	L	4 x 19



Note:  
Weight and Dimensions of selected Hydrovar are NOT considered.  
Please refer to additional datasheet.

### Dimensions and weight without obligation

Project	Xylect-20182283	Created by		Last update	1/11/2025
Block	NSCF65-160/300/L26UCC4	Created on	1/11/2025		