

# NSCF65-200/370/L26UCC4

## Technical data

Company name  
Contact  
Phone number  
e-mail address

Operating data					
1	Pumpe type	Single head pump		Fluid	Water, pure
2	No. of pumps	1		Operating temperature at t A	°F 39.2
3	Nominal flow	US g.p.m.	0	Max / Min Operating Temperature mech. Seal	°F 120 / -25
4	Nominal head	ft	0	pH-value at t A	7
5	Static head	ft	0	Density at t A	lb/ft³ 62.4
6	Inlet pressure	psi	0	Kin. viscosity at t A	ft²/s 1.689E-5
7	Environmental temperature	°F	68	Vapor pressure at t A	psi 14.5
8	Available system NPSH	ft	0	Altitude	0

Pump data					
9	Lubrication	Standard, Grease lubrication [Std]			
10	Execution	[F] = 2 poles motor unit with standard coupling			
11	Design	Horizontal		Impeller Ø	Max. inch 7 13/16
12	Operating speed	3500 rpm	Stages 1		designed inch 7 13/16
13	Suction nozzle	DN 80 / PN 16 / EN1092-2			Min. inch 6 13/16
14	Discharge nozzle	DN 65 / PN 16 / EN1092-2		Flow	Nominal US g.p.m.
15	Max. casing pressure	psi			Max- US g.p.m. 836.5
16	Max. working pressure	psi	114.3	Min- US g.p.m. 202.5	
17	Impeller type	Radial impeller		Head	Nominal ft
18	Head H(Q=0)	ft	260		at Qmax ft 150.9
19	Max. shaft power	hp	47.7		at Qmin ft 263.1
20	Pump weight	kg	138.9	Shaft power	hp
21	Total weight	lb	On demand	Efficiency	%
				NPSH 3%	ft

Materials					
22		Pump		Shaft Seal	
23	Volute Casing	Cast Iron		Single mechanical seal, without shaft sleeve	
24	Casing Cover	Cast Iron		eMG12 - Ø28mm	BQ7EGG-WA
25	Impeller	Cast Iron		Mechanical seal diameter	1 1/8 inch
26	Shaft	Stainless steel		1. Rotating ring	Carbon graphite resin impregnated
27	Wear ring	Stainless steel		2. Stationary ring	SiC, silicon carbide, sintered press.less
28	Impeller lock nut and washer	Stainless steel		3. Secondary seal	Ethylene propylene rubber (EPDM)
29	Impeller key	Stainless steel		4. Springs	CrNiMo - Steel
30	Fill and drain plugs	Stainless steel		5. Others	EPDM - WRAS
31				Gaskets of the pump	Ethylene propylene rubber (EPDM)
32					
33					
34					
35					
36					
37					
38					
39					
40					
41					

Motor data				Electrical and dimensional data refer to IE3 motor		Coupling	
42	Manufacturer	Lowara		Manufacturer	Flender		
43	Specific design	IE3 3ph Surface Motor - Premium Efficiency		Series	Standard Coupling - N-EUPEX - Type B		
44	Type	3MAS 200 L B3 37 kW		Shaft diameter	Pump 15/16 inch	Motor 2 3/16 inch	
45	Rated power	49.618 hp	Rated current	66.5 A	Frame size	125	
46	Nominal speed	3552 rpm	Rated voltage	380 V	Spacer length	inch	1/8
47	Frame size	200 L	Service factor	1	Weight	lb 11.5	
48	Weight	lb 476.4	Degree of protection	IP55	Coupling protection	COUPLGUARD 175x152PNTD	0.72751 lb

Base plate			Remarks	
49	Name	BASE 7B 1400X610 BLU		
50	Weight	lb	119.5	

# NSCF65-200/370/L26UCC4

## Performance curve

Company name  
Contact  
Phone number  
e-mail address

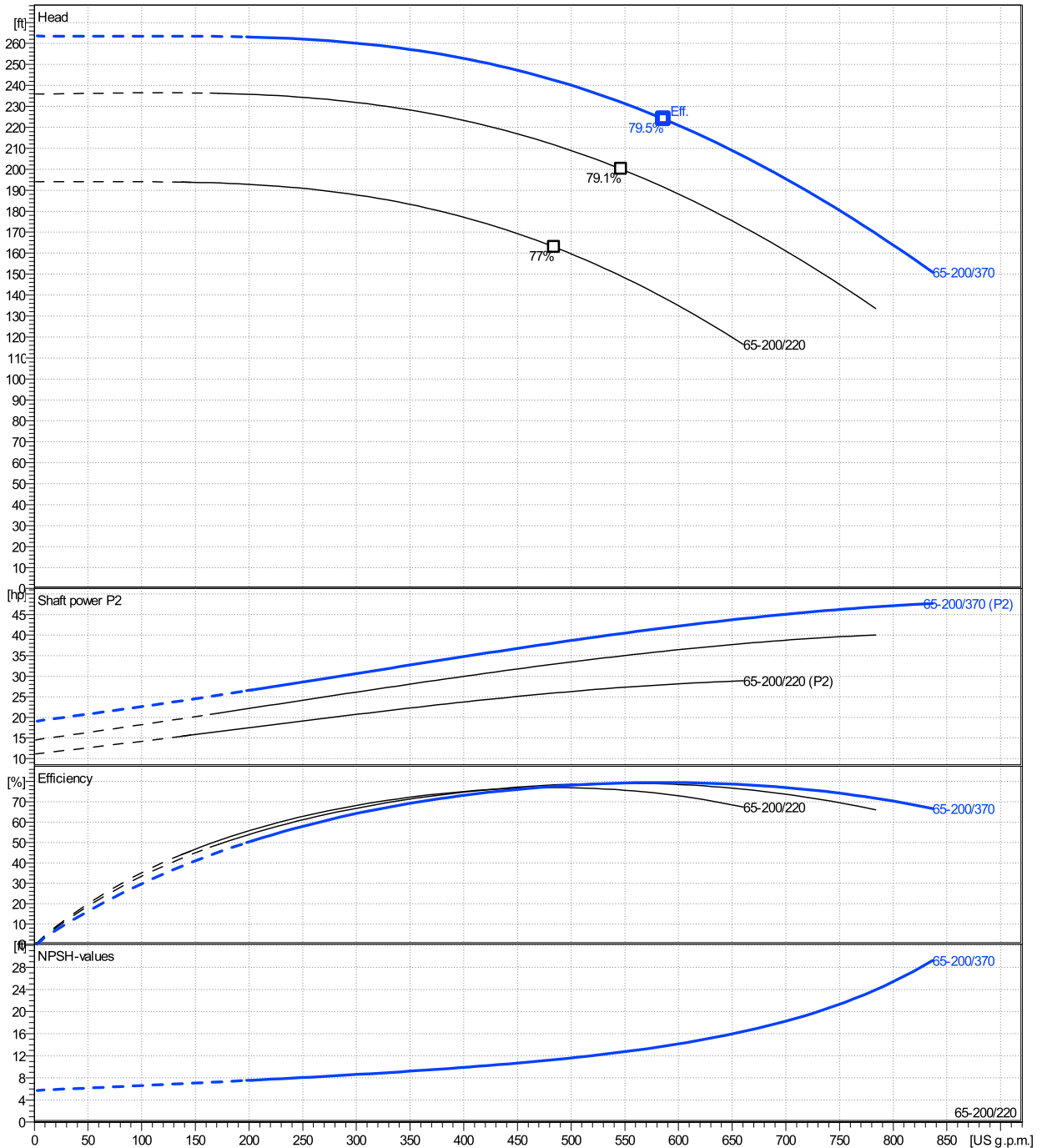
	Ø mm	Pump capacity Operating range η			Pump head H(Q=0) η		Shaft power P2 P2(Q=0) η			Frequency	Hz	
		Min. US g.p.m.	Max. US g.p.m.	Max. US g.p.m.	H(Q=0) ft	η ft	P2(Q=0) hp	Max. hp	η hp	Operating speed	rpm	
actual	7 13/16	203	837	586	264	224		47.7	41.7	Nominal flow	US g.p.m.	0
Min.	0	/	/	484	194	163		/	25.9	Nominal head	ft	0
Max.	7 13/16	/	/	586	264	224		/	41.7	Inlet pressure	psi	0
										Static head	ft	0

**Power datas referred to:**

hydr. Performance acceptance acc. To EN ISO 9906 Class Grade 3B

Water, pure [100%] ; 39.2°F; 62.4lb/ft³; 1.69E-5ft²/s

MEI: N.A. - according to Ecodesign Directive 2009/125/EC and Regulation (EU) No.547/2012



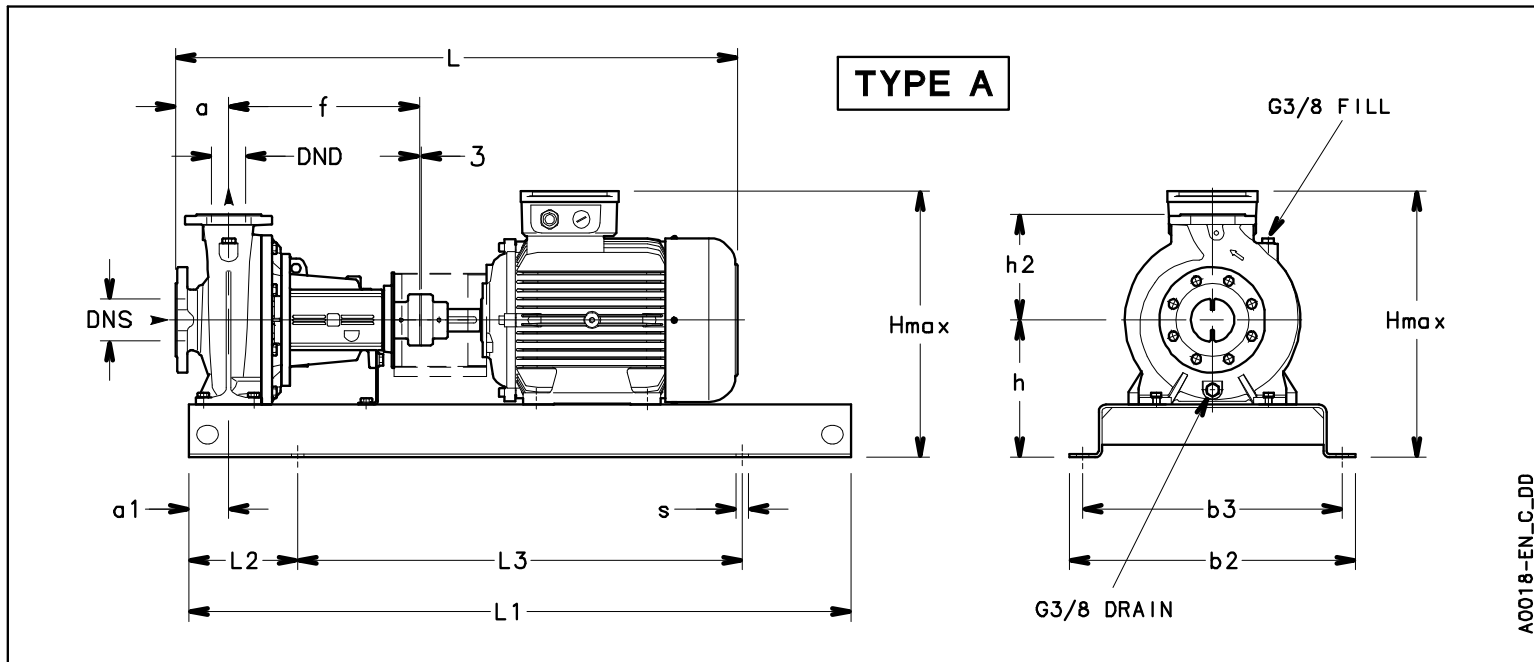
**NSCF65-200/370/L26UCC4**

**Dimensions**

Company name  
Contact  
Phone number  
e-mail address

Frame mounted  
[F] = 2 poles motor unit with standard coupling  
3MAS 200 L B3 37 kW

Electrical and dimensional data refer to IE3 motor



**Dimensions** [ inch ]

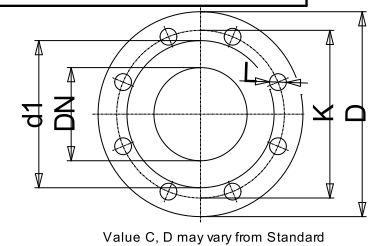
a	3 <sup>15</sup> / <sub>16</sub>		
a1	2 <sup>15</sup> / <sub>16</sub>		
AD	11 <sup>13</sup> / <sub>16</sub>		
b2	24 <sup>1</sup> / <sub>32</sub>		
b3	21 <sup>5</sup> / <sub>8</sub>		
DND	2 <sup>9</sup> / <sub>16</sub>		
DNS	3 <sup>1</sup> / <sub>8</sub>		
f	14 <sup>3</sup> / <sub>16</sub>		
Guard	6 <sup>7</sup> / <sub>16</sub>		
h	12 <sup>3</sup> / <sub>16</sub>		
h2	8 <sup>7</sup> / <sub>8</sub>		
Hmax	24 <sup>1</sup> / <sub>32</sub>		
L1	55 <sup>1</sup> / <sub>8</sub>		
L2	9 <sup>1</sup> / <sub>16</sub>		
L3	37 <sup>1</sup> / <sub>64</sub>		
s	4xØ28		
Type	A		
Volumen	1 <sup>1</sup> / <sub>32</sub>		
x	1 <sup>1</sup> / <sub>8</sub>		

**Weight**

Total weight	On demand kg
--------------	--------------

**Connections**

<b>Suction nozzle</b>	<b>Discharge nozzle</b>		
DN 80	DN 65		
PN 16	PN 16		
EN1092-2	EN1092-2		
C	7 <sup>7</sup> / <sub>8</sub>	C	13 <sup>1</sup> / <sub>16</sub>
D	7 <sup>7</sup> / <sub>8</sub>	D	7 <sup>5</sup> / <sub>16</sub>
df	5 <sup>3</sup> / <sub>16</sub>	df	4 <sup>5</sup> / <sub>8</sub>
DN	3 <sup>1</sup> / <sub>8</sub>	DN	2 <sup>9</sup> / <sub>16</sub>
K	6 <sup>5</sup> / <sub>16</sub>	K	5 <sup>11</sup> / <sub>16</sub>
L	8 x 19	L	4 x 19



**Dimensions and weight without obligation**

Project	Xylect-20182283	Created by		Last update	1/11/2025
Block	NSCF65-200/370/L26UCC4	Created on	1/11/2025		