

# NSCF65-315/220/L46UCC4

## Technical data

Company name  
Contact  
Phone number  
e-mail address

Operating data				
1	Pumpe type	Single head pump	Fluid	Water, pure
2	No. of pumps	1	Operating temperature at A	°F 39.2
3	Nominal flow	US g.p.m. 0	Max / Min Operating Temperature mech. Seal	°F 120 / -25
4	Nominal head	ft 0	pH-value at t A	7
5	Static head	ft 0	Density at t A	lb/ft <sup>3</sup> 62.4
6	Inlet pressure	psi 0	Kin. viscosity at t A	ft <sup>2</sup> /s 1.689E-5
7	Environmental temperature	°F 68	Vapor pressure at t A	psi 14.5
8	Available system NPSH	ft 0	Altitude	0

Pump data				
9	Lubrication	Standard, Grease lubrication [Std]		
10	Execution	Standard coupling		
11	Design	Horizontal		
12	Operating speed	1758 rpm	Stages	1
13	Suction nozzle	DN80 / PN10/16 / EN1092-2	Impeller Ø	Max. inch 13 1/8
14	Discharge nozzle	DN65 / PN10/16 / EN1092-2		designed inch 13 1/8
15	Max. casing pressure	psi	Min. inch 10 1/2	Nominal US g.p.m.
16	Max. working pressure	psi 79.4	Flow	Max- US g.p.m. 656
17	Impeller type	Radial impeller		Min- US g.p.m. 74.3
18	Head H(Q=0)	ft 180	Head	Nominal ft
19	Max. shaft power	hp 28.2		at Qmax ft 103.9
20	Pump weight	kg 224.9	at Qmin ft 183.3	Shaft power hp
21	Total weight	lb 800.5	Efficiency %	NPSH 3% ft

Materials				
22		<b>Pump</b>	<b>Shaft Seal</b>	
23	Volute Casing	Cast Iron, EN 1561 - GJL-250, ASTM Class 35	Single mechanical seal, without shaft sleeve	
24	Impeller	Cast Iron, EN 1561 - GJL-200, ASTM Class 30	eMG12 - Ø38mm	BQ7EGG-WA
25	Casing Cover	Cast Iron, EN 1561 - GJL-250, ASTM Class 35	Mechanical seal diameter	1 1/2 inch
26	Shaft	Stainless steel, 1.4057, AISI 431	1. Rotating ring	Carbon graphite resin impregnated
27	Wear ring	Stainless steel, 1.4301, AISI 304	2. Stationary ring	SiC, silicon carbide, sintered press. less
28	Impeller lock nut and washer	A4 (1.4401)	3. Secondary seal	Ethylene propylene rubber (EPDM)
29	Impeller key	Stainless steel, 1.4571, AISI 316Ti	4. Springs	CrNiMo - Steel
30	Fill and drain plugs	Galvanized carbon steel, EN 10277-3, AISI 1213 / 1215	5. Others	EPDM - WRAS
31	Bearing bracket	Cast Iron, EN 1561 - GJL-250, ASTM Class 35	Gaskets of the pump	Ethylene propylene rubber (EPDM)
32				
33				
34				
35				
36				
37				
38				
39				
40				
41				

Motor data				Electrical and dimensional data refer to IE3 motor		Coupling	
42	Manufacturer	Lowara		Manufacturer	Flender		
43	Specific design	IE3 3ph Surface Motor - Premium Efficiency		Series	Standard Coupling - N-EUPEX - Type B		
44	Type	3MAS 180 L B3 22 kW		Shaft diameter	Pump 1 1/4 inch	Motor 1 7/8 inch	
45	Rated power	29.502 hp	Rated current	43.6 A	Frame size	110	
46	Nominal speed	1758 rpm	Rated voltage	380 V	Spacer length	inch	3/16
47	Frame size	180 L	Service factor	1	Weight	lb	7.3
48	Weight	lb 310.8	Degree of protection	IP55	Coupling protection	GR.COUPLGUARD ES32-190-16 A4	3.9683 lb

Base plate			Remarks	
49	Name	BASEFRAME_NSC80-2_C00		
50	Weight	lb 253.5		

# NSCF65-315/220/L46UCC4

## Performance curve

Company name  
Contact  
Phone number  
e-mail address

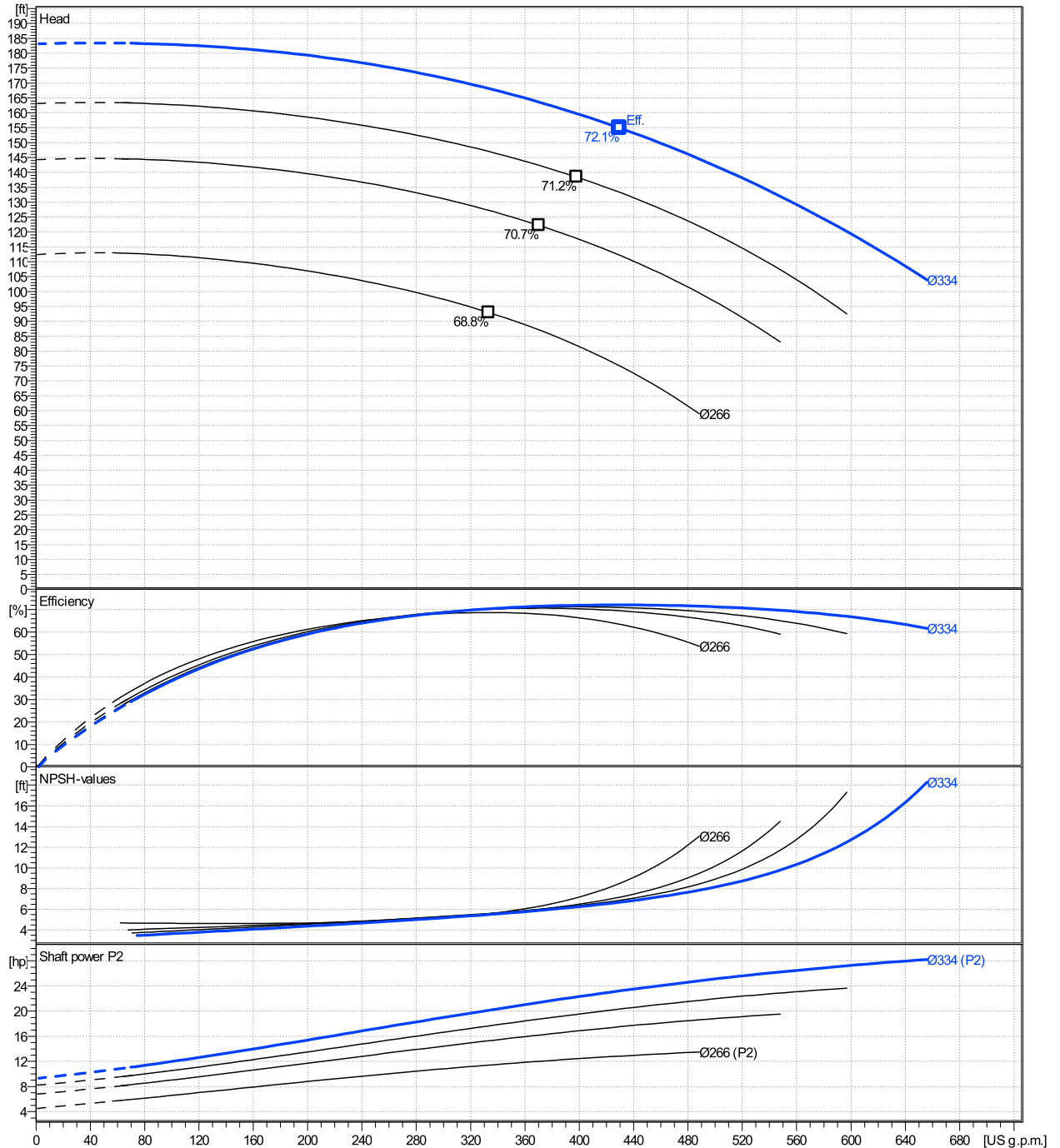
	Ø mm	Pump capacity Operating range η			Pump head H(Q=0) η		Shaft power P2 P2(Q=0) η			Frequency Hz	
		Min. US g.p.m.	Max. US g.p.m.	Max. US g.p.m.	ft	ft	hp	hp	hp	rpm	
actual	13 1/8	74.3	656	430	183	155	28.2	23.2	60	1758	
Min.	0	/	/	333	112	92.9	/	11.4			0
Max.	13 1/8	/	/	430	183	155	/	23.2			0

**Power datas referred to:**

hydr. Performance acceptance acc. To EN ISO 9906 Class Grade 3B

Water, pure [100%] ; 39.2°F; 62.4lb/ft³; 1.69E-5ft²/s

MEI: >=0,70 - according to Ecodesign Directive 2009/125/EC and Regulation (EU) No.547/2012



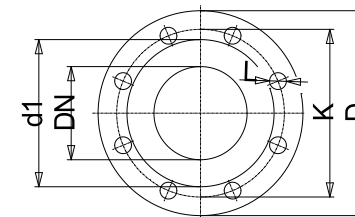
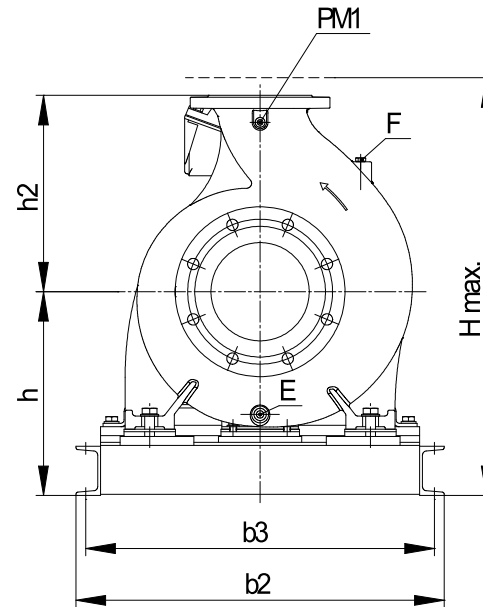
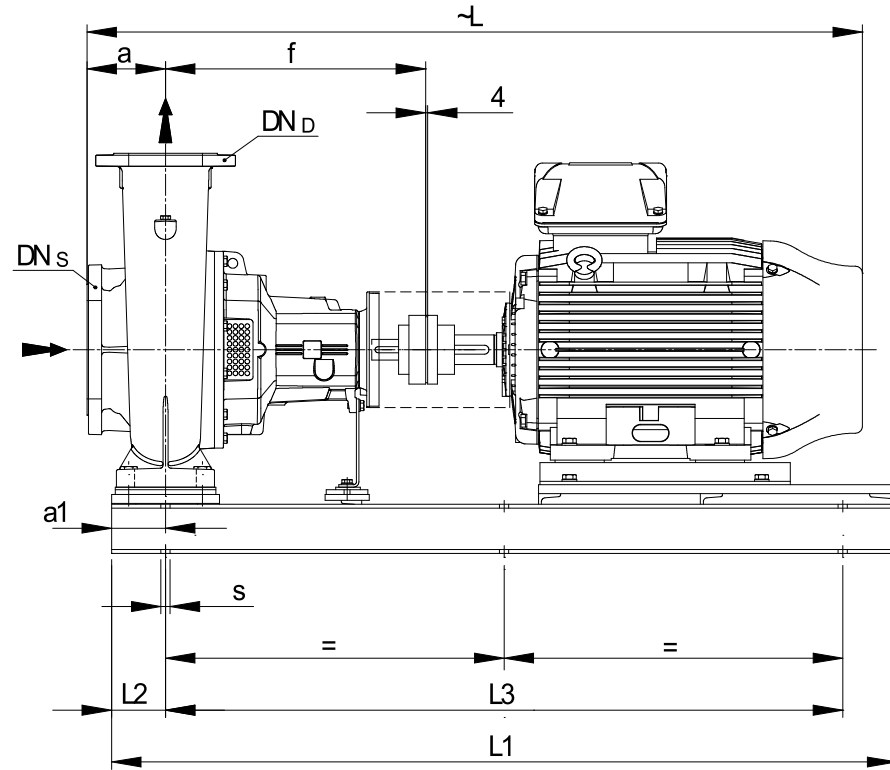
# NSCF65-315/220/L46UCC4

## Dimensions

Company name  
Contact  
Phone number  
e-mail address

Frame mounted  
Standard coupling  
3MAS 180 L B3 22 kW

Electrical and dimensional data refer to IE3 motor



Value C, D may vary from Standard

Dimensions		[ inch ]	
a	4 <sup>15</sup> / <sub>16</sub>		
a1	4 <sup>5</sup> / <sub>16</sub>		
b2	26 <sup>3</sup> / <sub>8</sub>		
b3	24 <sup>13</sup> / <sub>16</sub>		
CTO			
DNd	2 <sup>9</sup> / <sub>16</sub>		
DNs	3 <sup>1</sup> / <sub>8</sub>		
E	3/8"		
F	3/8"		
f	18 <sup>1</sup> / <sub>2</sub>		
Guard	7 <sup>5</sup> / <sub>8</sub>		
h	15 <sup>3</sup> / <sub>16</sub>		
h2	11 <sup>1</sup> / <sub>32</sub>		
Hmax	26 <sup>3</sup> / <sub>16</sub>		
L	51 <sup>3</sup> / <sub>16</sub>		
L1	52 <sup>3</sup> / <sub>8</sub>		
L2	4 <sup>5</sup> / <sub>16</sub>		
L3	43 <sup>11</sup> / <sub>16</sub>		
PM1	1/4"		
s	6xØ19		
Trim			
Volumen	1 <sup>1</sup> / <sub>32</sub>		

Weight	
Total weight	363.1 kg

Connections			
Suction nozzle		Discharge nozzle	
DN80		DN65	
PN10/16		PN10/16	
EN1092-2		EN1092-2	
C	7/8	C	13/16
D	7 <sup>7</sup> / <sub>8</sub>	D	7 <sup>5</sup> / <sub>16</sub>
d1	5 <sup>3</sup> / <sub>16</sub>	d1	4 <sup>5</sup> / <sub>8</sub>
K	6 <sup>9</sup> / <sub>16</sub>	K	5 <sup>1</sup> / <sub>16</sub>
L	3/4	L	3/4
Z	5/16	Z	3/16

Note:  
Weight and Dimensions of selected Hydrovar are NOT considered.  
Please refer to additional datasheet.

### Dimensions and weight without obligation

Project	Xylect-20182283	Created by		Last update	1/11/2025
Block	NSCF65-315/220/L46UCC4	Created on	1/11/2025		