

NSCF80-160/370/L26UCC4

Technical data

Company name
Contact
Phone number
e-mail address

Operating data				
1	Pumpe type	Single head pump	Fluid	Water, pure
2	No. of pumps	1	Operating temperature at A	°F 39.2
3	Nominal flow	US g.p.m. 0	Max / Min Operating Temperature mech. Seal	°F 120 / -25
4	Nominal head	ft 0	pH-value at t A	7
5	Static head	ft 0	Density at t A	lb/ft³ 62.4
6	Inlet pressure	psi 0	Kin. viscosity at t A	ft²/s 1.689E-5
7	Environmental temperature	°F 68	Vapor pressure at t A	psi 14.5
8	Available system NPSH	ft 0	Altitude	0

Pump data				
9	Lubrication	Standard, Grease lubrication [Std]		
10	Execution	[F] = 2 poles motor unit with standard coupling		
11	Design	Horizontal		
12	Operating speed	3500 rpm	Stages	1
13	Suction nozzle	DN 100 / PN 16 / EN1092-2	Impeller Ø	Max. inch 6 15/16
14	Discharge nozzle	DN 80 / PN 16 / EN1092-2		designed inch 6 15/16
15	Max. casing pressure	psi	Flow	Min. inch 5 11/16
16	Max. working pressure	psi 87.7		Nominal US g.p.m.
17	Impeller type	Radial impeller		Max- US g.p.m. 1461.8
18	Head H(Q=0)	ft 200	Head	Min- US g.p.m. 318.8
19	Max. shaft power	hp 50.9		Nominal ft
20	Pump weight	kg 145.5		at Qmax ft 94.5
21	Total weight	lb On demand	Shaft power hp	at Qmin ft 199.7
			Efficiency %	
			NPSH 3%	

Materials				
22		Pump	Shaft Seal	
23	Volute Casing	Cast Iron	Single mechanical seal, without shaft sleeve	
24	Casing Cover	Cast Iron	eMG12 - Ø28mm	BQ7EGG-WA
25	Impeller	Cast Iron	Mechanical seal diameter	1 1/8 inch
26	Shaft	Stainless steel	1. Rotating ring	Carbon graphite resin impregnated
27	Wear ring	Stainless steel	2. Stationary ring	SiC, silicon carbide, sintered press.less
28	Impeller lock nut and washer	Stainless steel	3. Secondary seal	Ethylene propylene rubber (EPDM)
29	Impeller key	Stainless steel	4. Springs	CrNiMo - Steel
30	Fill and drain plugs	Stainless steel	5. Others	EPDM - WRAS
31			Gaskets of the pump	Ethylene propylene rubber (EPDM)
32				
33				
34				
35				
36				
37				
38				
39				
40				
41				

Motor data				Electrical and dimensional data refer to IE3 motor		Coupling	
42	Manufacturer	Lowara		Manufacturer	Flender		
43	Specific design	IE3 3ph Surface Motor - Premium Efficiency		Series	Standard Coupling - N-EUPEX - Type B		
44	Type	3MAS 200 L B3 37 kW		Shaft diameter	Pump 15/16 inch	Motor 2 3/16 inch	
45	Rated power	49.618 hp	Rated current	66.5 A	Frame size	125	
46	Nominal speed	3552 rpm	Rated voltage	380 V	Spacer length	inch	1/8
47	Frame size	200 L	Service factor	1	Weight	lb 11.5	
48	Weight	lb 476.4	Degree of protection	IP55	Coupling protection	COUPLGUARD 175x152PNTD	0.72751 lb

Base plate			Remarks	
49	Name	BASE 7B 1400X610 BLU		
50	Weight	lb 119.5		

Project	Xylect-20182283	Created by		Last update	1/11/2025
Block	NSCF80-160/370/L26UCC4	Created on	1/11/2025		

NSCF80-160/370/L26UCC4

Performance curve

Company name
Contact
Phone number
e-mail address

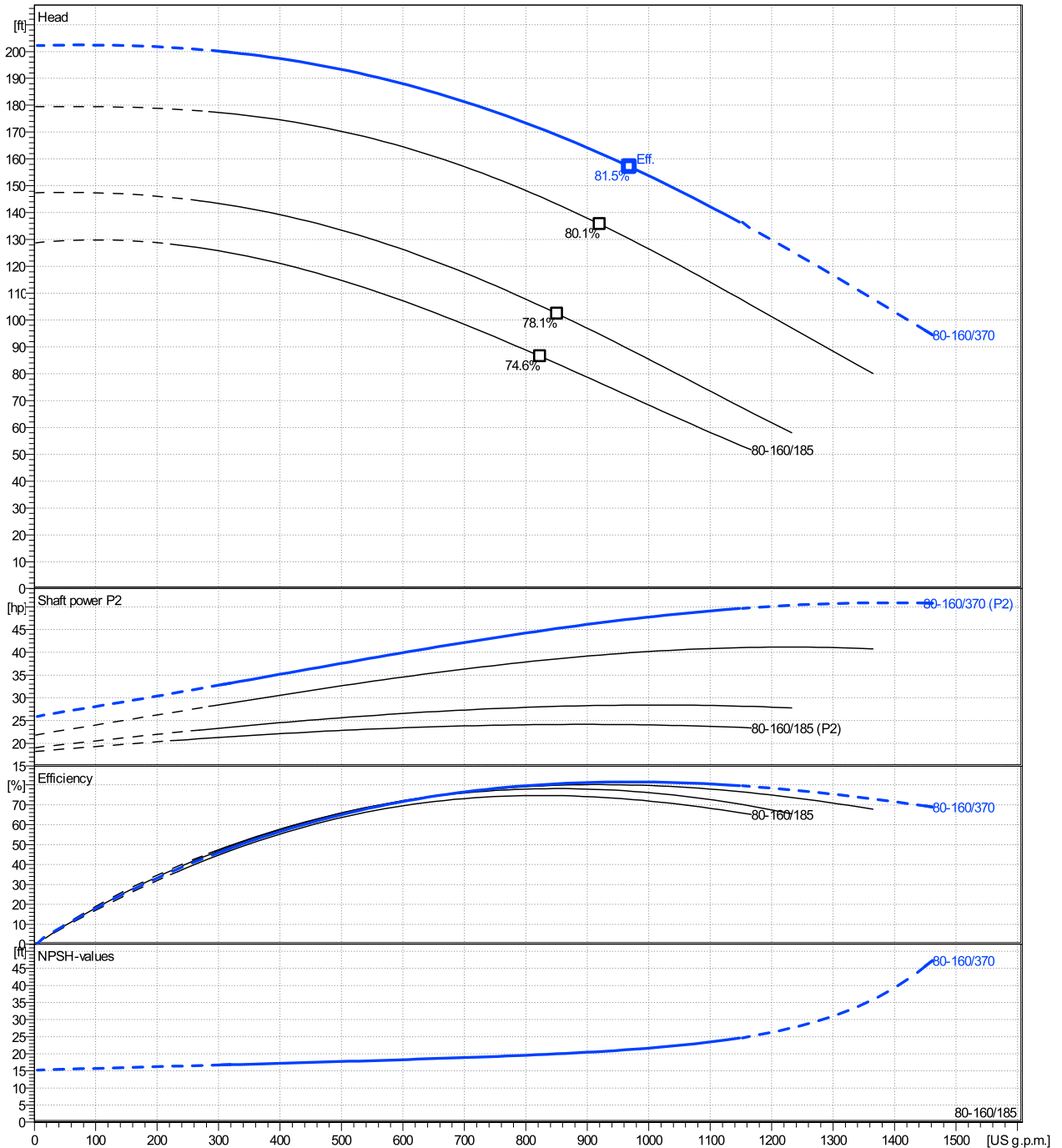
	Ø mm	Pump capacity Operating range			Pump head		Shaft power P2			Frequency		Hz	60
		Min. US g.p.m.	Max. US g.p.m.	η Max. US g.p.m.	H(Q=0) ft	η Max. ft	P2(Q=0) hp	Max. hp	η Max. hp	Operating speed rpm	Nominal flow US g.p.m.		
actual	6 15/16	319	1150	969	202	157		50.9	47.3			3500	
Min.	0	/	/	824	129	86.4		/	24.1			0	
Max.	6 15/16	/	/	969	202	157		/	47.3			0	

Power datas referred to:

hydr. Performance acceptance acc. To EN ISO 9906 Class Grade 3B

Water, pure [100%] ; 39.2°F; 62.4lb/ft³; 1.69E-5ft²/s

MEI: N.A. - according to Ecodesign Directive 2009/125/EC and Regulation (EU) No.547/2012



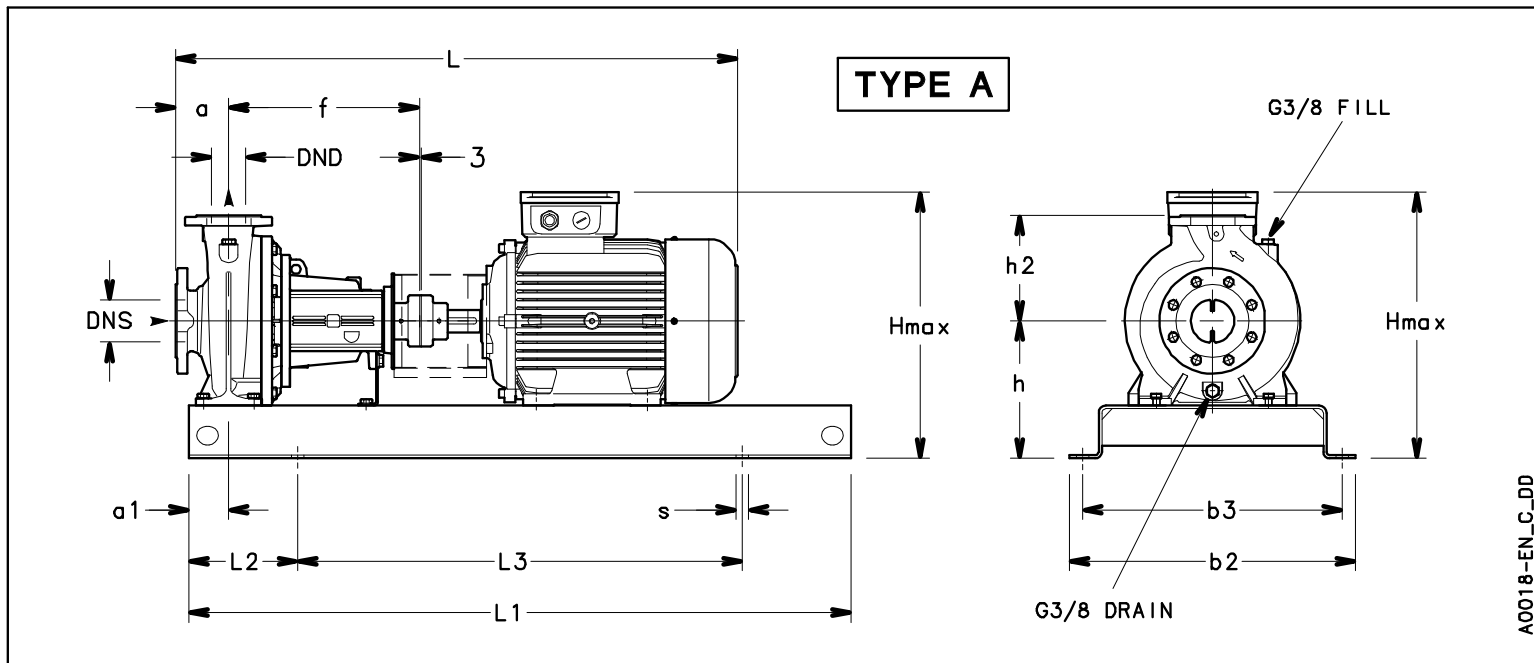
NSCF80-160/370/L26UCC4

Dimensions

Company name
Contact
Phone number
e-mail address

Frame mounted
[F] = 2 poles motor unit with standard coupling
3MAS 200 L B3 37 kW

Electrical and dimensional data refer to IE3 motor

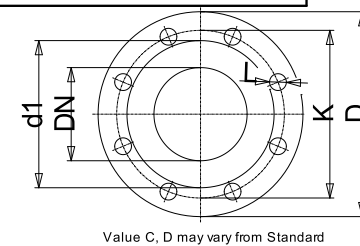


Dimensions [inch]

a	4 ¹⁵ / ₁₆		
a1	2 ¹⁵ / ₁₆		
AD	11 ¹³ / ₁₆		
b2	24 ¹ / ₃₂		
b3	21 ⁵ / ₈		
DND	3 ¹ / ₈		
DNS	3 ¹⁵ / ₁₆		
f	14 ³ / ₁₆		
Guard	6 ⁷ / ₁₆		
h	12 ³ / ₁₆		
h2	8 ⁷ / ₈		
Hmax	24 ¹ / ₃₂		
L1	55 ¹ / ₈		
L2	9 ¹ / ₁₆		
L3	37 ¹ / ₆₄		
s	4xØ28		
Type	A		
Volumen	1 ¹ / ₃₂		
x	1 ¹ / ₈		

Weight	
Total weight	On demand kg

Connections			
Suction nozzle		Discharge nozzle	
DN 100		DN 80	
PN 16		PN 16	
EN1092-2		EN1092-2	
C	15 ¹ / ₁₆	C	7 ⁷ / ₈
D	9 ¹ / ₁₆	D	7 ⁷ / ₈
df	6 ³ / ₁₆	df	5 ³ / ₁₆
DN	3 ¹⁵ / ₁₆	DN	3 ¹ / ₈
K	7 ¹ / ₁₆	K	6 ⁵ / ₁₆
L	8 x 19	L	8 x 19



Dimensions and weight without obligation

Project	Xylect-20182283	Created by		Last update	1/11/2025
Block	NSCF80-160/370/L26UCC4	Created on	1/11/2025		