

NSCF80-200/550/L26UCC4

Technical data

Company name
Contact
Phone number
e-mail address

Operating data				
1	Pumpe type	Single head pump	Fluid	Water, pure
2	No. of pumps	1	Operating temperature at A	°F 39.2
3	Nominal flow	US g.p.m. 0	Max / Min Operating Temperature mech. Seal	°F 120 / -25
4	Nominal head	ft 0	pH-value at t A	7
5	Static head	ft 0	Density at t A	lb/ft³ 62.4
6	Inlet pressure	psi 0	Kin. viscosity at t A	ft²/s 1.689E-5
7	Environmental temperature	°F 68	Vapor pressure at t A	psi 14.5
8	Available system NPSH	ft 0	Altitude	0

Pump data				
9	Lubrication	Standard, Grease lubrication [Std]		
10	Execution	[F] = 2 poles motor unit with standard cuopling		
11	Design	Horizontal	Impeller Ø	Max. inch 8 5/8
12	Operating speed	3500 rpm	designed	inch 7 15/16
13	Suction nozzle	DN 100 / PN 16 / EN1092-2	Min.	inch 7 3/8
14	Discharge nozzle	DN 80 / PN 16 / EN1092-2	Flow	Nominal US g.p.m.
15	Max. casing pressure	psi	Max-	US g.p.m. 1320.9
16	Max. working pressure	psi 116.2	Min-	US g.p.m. 319.6
17	Impeller type	Radial impeller	Head	Nominal ft
18	Head H(Q=0)	ft 270	at Qmax	ft 168.6
19	Max. shaft power	hp 71.7	at Qmin	ft 267
20	Pump weight	kg 183	Shaft power	hp
21	Total weight	lb On demand	Efficiency	%
			NPSH 3%	ft

Materials				
22		Pump	Shaft Seal	
23	Volute Casing	Cast Iron	Single mechanical seal, without shaft sleeve	
24	Casing Cover	Cast Iron	eMG12 - Ø38mm	BQ7EGG-WA
25	Impeller	Cast Iron	Mechanical seal diameter	1 1/2 inch
26	Shaft	Stainless steel	1. Rotating ring	Carbon graphite resin impregnated
27	Wear ring	Stainless steel	2. Stationary ring	SiC, silicon carbide, sintered press.less
28	Impeller lock nut and washer	Stainless steel	3. Secondary seal	Ethylene propylene rubber (EPDM)
29	Impeller key	Stainless steel	4. Springs	CrNiMo - Steel
30	Fill and drain plugs	Stainless steel	5. Others	EPDM - WRAS
31			Gaskets of the pump	Ethylene propylene rubber (EPDM)
32				
33				
34				
35				
36				
37				
38				
39				
40				
41				

Motor data				Electrical and dimensional data refer to IE3 motor		Coupling	
42	Manufacturer	Lowara		Manufacturer	Flender		
43	Specific design	IE3 3ph Surface Motor - Premium Efficiency		Series	Standard Coupling - N-EUPEX - Type B		
44	Type	3MGS 250 M B3 55 kW		Shaft diameter	Pump 1 1/4 inch	Motor 2 3/8 inch	
45	Rated power	73.756 hp	Rated current	97 A	Frame size	140	
46	Nominal speed	3564 rpm	Rated voltage	380 V	Spacer length	inch	1/8
47	Frame size	250 M	Service factor	1	Weight	lb 12.3	
48	Weight	lb 922.4	Degree of protection	IP55	Coupling protection	COUPLGUARD 190KS95-16 4571	1.5432 lb

Base plate			Remarks	
49	Name	BASE 8B 1600X660 BLU		
50	Weight	lb	233.2	

NSCF80-200/550/L26UCC4

Performance curve

Company name
Contact
Phone number
e-mail address

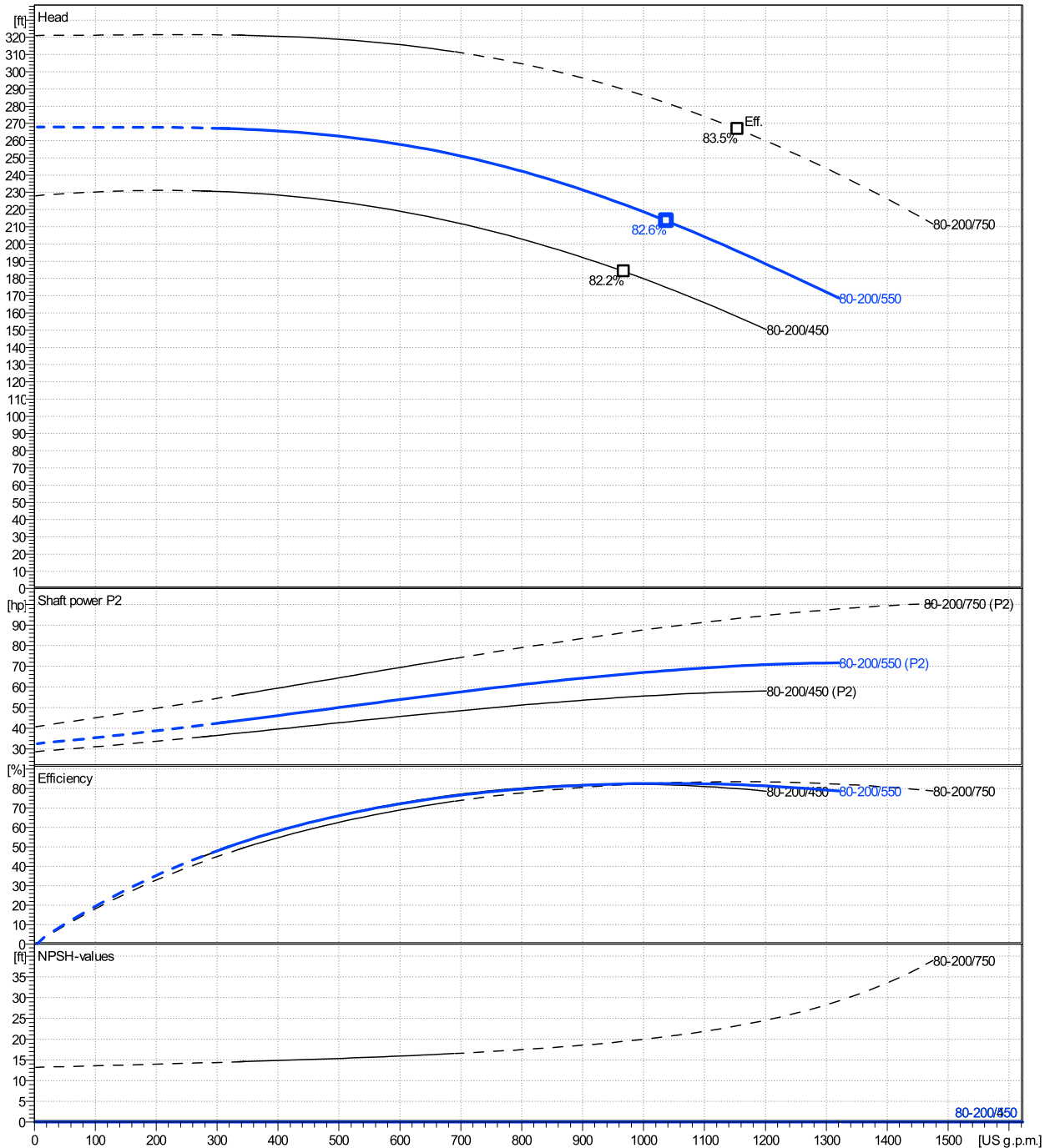
	Ø mm	Pump capacity Operating range η			Pump head H(Q=0) η		Shaft power P2 P2(Q=0) η			Frequency	Hz	
		Min. US g.p.m.	Max. US g.p.m.	Max. US g.p.m.	H(Q=0) ft	Max. ft	P2(Q=0) hp	Max. hp	η hp	Operating speed	rpm	
actual	7 15/16	320	1320	1040	268	213	71.7	67.9		Nominal flow	US g.p.m.	0
Min.	0	/	/	968	228	184	/	55		Nominal head	ft	0
Max.	8 5/8	/	/	1150	321	267	/	93.2		Inlet pressure	psi	0
										Static head	ft	0

Power datas referred to:

hydr. Performance acceptance acc. To EN ISO 9906 Class Grade 3B

Water, pure [100%] ; 39.2°F; 62.4lb/ft³; 1.69E-5ft²/s

MEI: N.A - according to Ecodesign Directive 2009/125/EC and Regulation (EU) No.547/2012



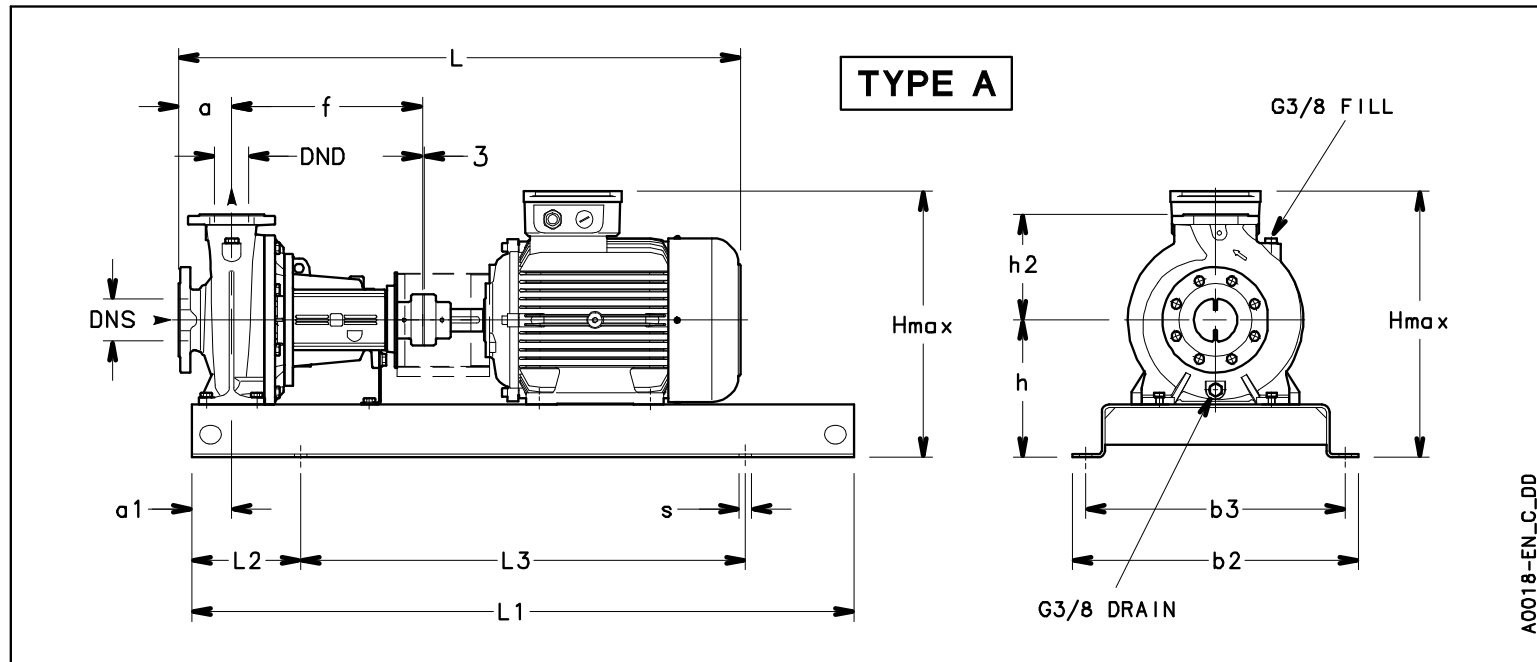
NSCF80-200/550/L26UCC4

Dimensions

Company name
Contact
Phone number
e-mail address

Frame mounted
[F] = 2 poles motor unit with standard coupling
3MGS 250 M B3 55 kW

Electrical and dimensional data refer to IE3 motor



Dimensions [inch]

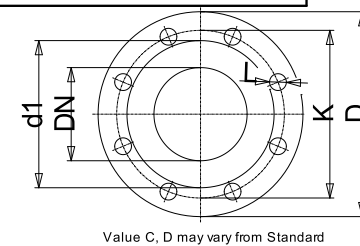
a	4 ¹⁵ / ₁₆		
a1	3 ⁹ / ₁₆		
AD	14 ¹³ / ₁₆		
b2	26		
b3	23 ⁵ / ₈		
DND	3 ¹ / ₈		
DNS	3 ¹⁵ / ₁₆		
f	18 ¹ / ₂		
Guard	8 ³ / ₄		
h	15 ³ / ₈		
h2	9 ¹³ / ₁₆		
Hmax	30 ³ / ₁₆		
L1	63		
L2	10 ⁵ / ₈		
L3	41 ³ / ₄		
s	4xØ28		
Type	A		
Volumen	1 ¹ / ₃₂		
x	1 ¹ / ₈		

Weight

Total weight	On demand kg
--------------	--------------

Connections

Suction nozzle		Discharge nozzle	
DN 100		DN 80	
PN 16		PN 16	
EN1092-2		EN1092-2	
C	1 ⁵ / ₁₆	C	7 ⁷ / ₈
D	9 ¹ / ₁₆	D	7 ⁷ / ₈
df	6 ³ / ₁₆	df	5 ³ / ₁₆
DN	3 ¹⁵ / ₁₆	DN	3 ¹ / ₈
K	7 ¹ / ₁₆	K	6 ⁵ / ₁₆
L	8 x 19	L	8 x 19



Dimensions and weight without obligation

Project	Xylect-20182283	Created by		Last update	1/11/2025
Block	NSCF80-200/750/L26UCC4 E4	Created on	1/11/2025		