

# NSCF80-315/220/L46UCC4

## Technical data

Company name  
Contact  
Phone number  
e-mail address

Operating data				
1	Pumpe type	Single head pump	Fluid	Water, pure
2	No. of pumps	1	Operating temperature at A	°F 39.2
3	Nominal flow	US g.p.m. 0	Max / Min Operating Temperature mech. Seal	°F 120 / -25
4	Nominal head	ft 0	pH-value at t A	7
5	Static head	ft 0	Density at t A	lb/ft³ 62.4
6	Inlet pressure	psi 0	Kin. viscosity at t A	ft²/s 1.689E-5
7	Environmental temperature	°F 68	Vapor pressure at t A	psi 14.5
8	Available system NPSH	ft 0	Altitude	0

Pump data				
9	Lubrication	Standard, Grease lubrication [Std]		
10	Execution	Standard coupling		
11	Design	Horizontal		
12	Operating speed	1758 rpm	Stages	1
13	Suction nozzle	DN100 / PN10/16 / EN1092-2	Impeller Ø	Max. inch 13 1/8
14	Discharge nozzle	DN80 / PN10/16 / EN1092-2		designed inch 11 7/16
15	Max. casing pressure	psi	Flow	Min. inch 10 5/16
16	Max. working pressure	psi 58.3		Nominal US g.p.m.
17	Impeller type	Radial impeller		Max- US g.p.m. 846
18	Head H(Q=0)	ft 130	Head	Min- US g.p.m. 101.2
19	Max. shaft power	hp 27.3		Nominal ft
20	Pump weight	kg 260.1		at Qmax ft 84.5
21	Total weight	lb 817.7	at Qmin ft 134.4	Shaft power hp
				Efficiency %
				NPSH 3% ft

Materials				
22		<b>Pump</b>	<b>Shaft Seal</b>	
23	Volute Casing	Cast Iron, EN 1561 - GJL-250, ASTM Class 35		Single mechanical seal, without shaft sleeve
24	Impeller	Cast Iron, EN 1561 - GJL-200, ASTM Class 30		eMG12 - Ø38mm BQ7EGG-WA
25	Casing Cover	Cast Iron, EN 1561 - GJL-250, ASTM Class 35		Mechanical seal diameter 1 1/2 inch
26	Shaft	Stainless steel, 1.4057, AISI 431		1. Rotating ring Carbon graphite resin impregnated
27	Wear ring	Stainless steel, 1.4301, AISI 304		2. Stationary ring SiC, silicon carbide, sintered press. less
28	Impeller lock nut and washer	A4 (1.4401)		3. Secondary seal Ethylene propylene rubber (EPDM)
29	Impeller key	Stainless steel, 1.4571, AISI 316Ti		4. Springs CrNiMo - Steel
30	Fill and drain plugs	Galvanized carbon steel, EN 10277-3, AISI 1213 / 1215		5. Others EPDM - WRAS
31	Bearing bracket	Cast Iron, EN 1561 - GJL-250, ASTM Class 35		Gaskets of the pump Ethylene propylene rubber (EPDM)
32				
33				
34				
35				
36				
37				
38				
39				
40				
41				

Motor data					Electrical and dimensional data refer to IE3 motor		Coupling	
42	Manufacturer	Lowara			Manufacturer	Flender		
43	Specific design	IE3 3ph Surface Motor - Premium Efficiency			Series	Standard Coupling - N-EUPEX - Type B		
44	Type	3MAS 180 L B3 22 kW			Shaft diameter	Pump 1 1/4 inch	Motor 1 7/8 inch	
45	Rated power	29.502 hp	Rated current	43.6 A	Frame size	110		
46	Nominal speed	1758 rpm	Rated voltage	380 V	Spacer length	inch 3/16		
47	Frame size	180 L	Service factor	1	Weight	lb 7.3		
48	Weight	lb 310.8	Degree of protection	IP55	Coupling protection	GR.COUPLGUARD ES32-190-16 A4	3.9683 lb	

Base plate					Remarks	
49	Name	BASEFRAME_NSC80-2_C00				
50	Weight	lb 235.4				

# NSCF80-315/220/L46UCC4

## Performance curve

Company name  
Contact  
Phone number  
e-mail address

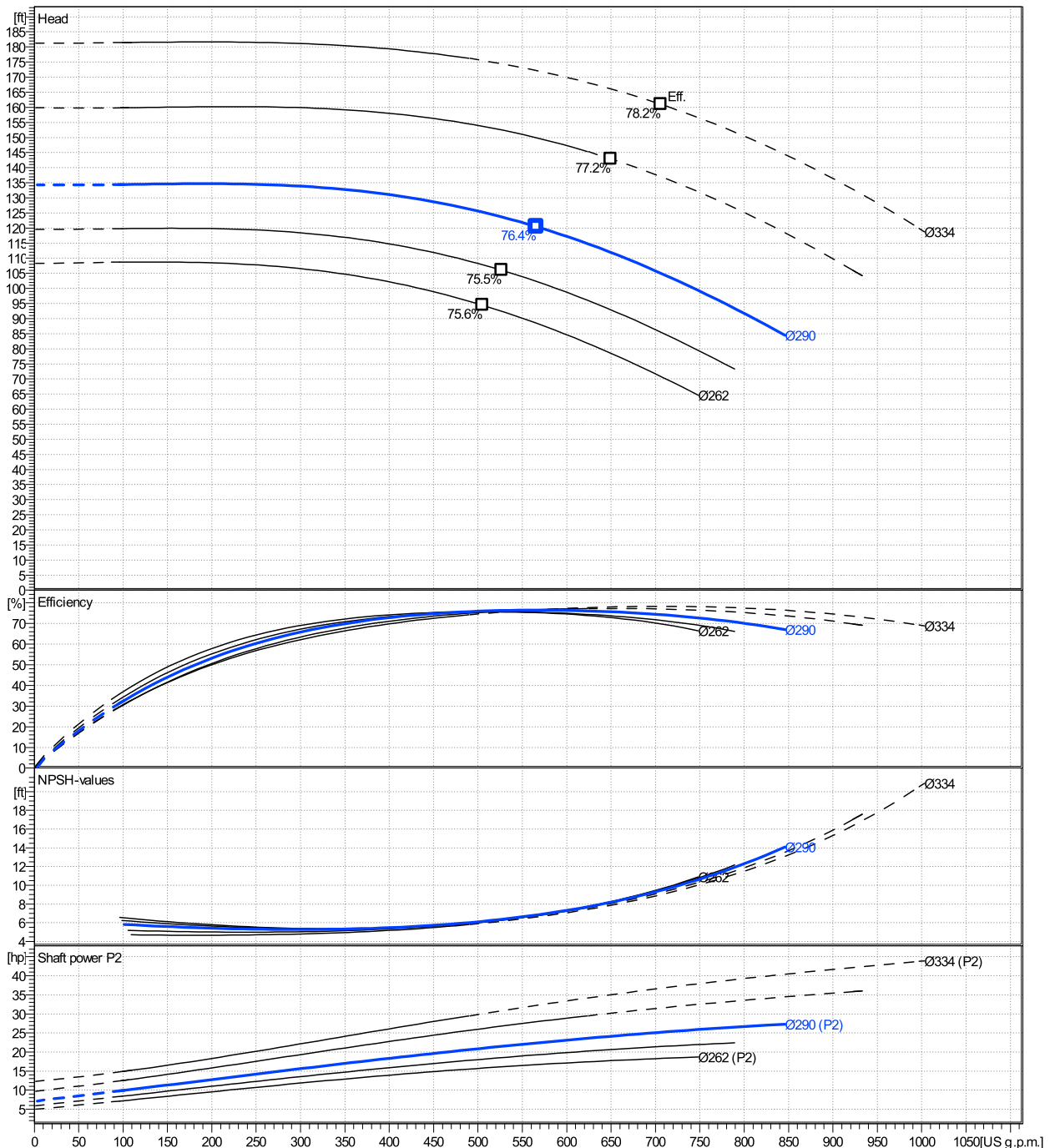
	Ø mm	Pump capacity Operating range η			Pump head H(Q=0) η		Shaft power P2 P2(Q=0) η			Frequency Hz	
		Min. US g.p.m.	Max. US g.p.m.	Max. US g.p.m.	ft	ft	hp	Max. hp	η hp	rpm	
actual	11 7/16	101	846	566	134	120	27.3	22.4	60	1758	
Min.	0	/	/	505	108	94.4	/	15.8	0	0	
Max.	13 1/8	/	/	706	181	161	/	36.7	0	0	

**Power datas referred to:**

hydr. Performance acceptance acc. To EN ISO 9906 Class Grade 3B

Water, pure [100%] ; 39.2°F; 62.4lb/ft³; 1.69E-5ft²/s

MEI: >=0,70 - according to Ecodesign Directive 2009/125/EC and Regulation (EU) No.547/2012



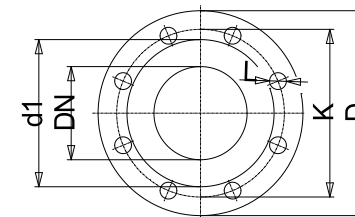
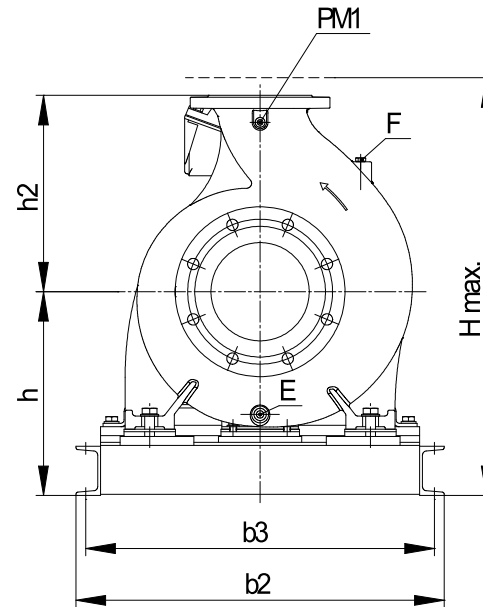
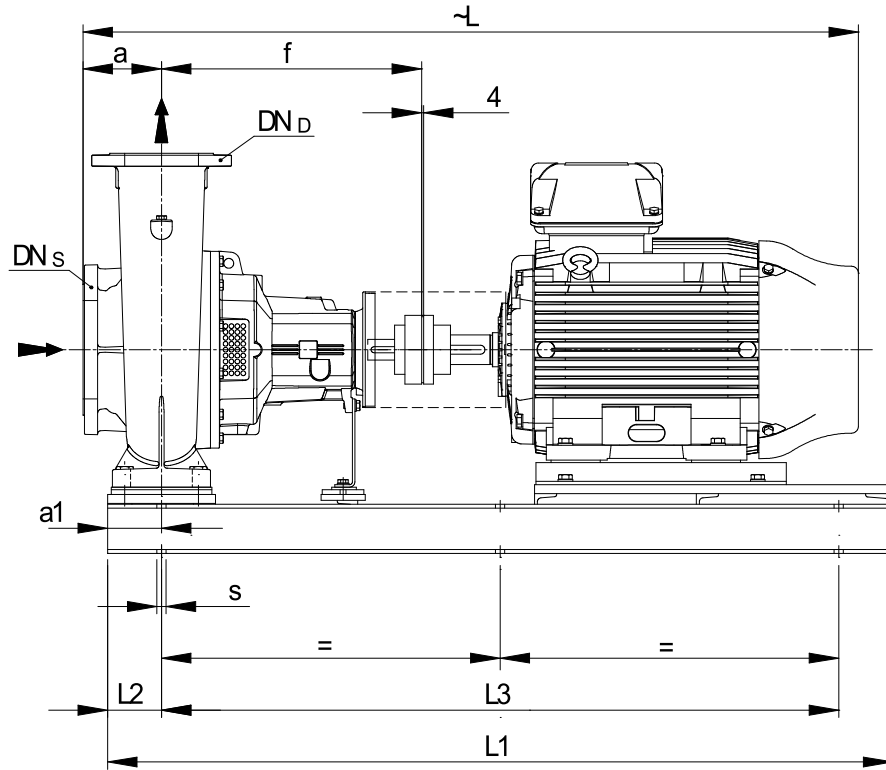
# NSCF80-315/220/L46UCC4

## Dimensions

Company name  
Contact  
Phone number  
e-mail address

Frame mounted  
Standard coupling  
3MAS 180 L B3 22 kW

Electrical and dimensional data refer to IE3 motor



Value C, D may vary from Standard

### Dimensions [ inch ]

a	4 <sup>15</sup> / <sub>16</sub>		
a1	4 <sup>5</sup> / <sub>16</sub>		
b2	26 <sup>3</sup> / <sub>8</sub>		
b3	24 <sup>13</sup> / <sub>16</sub>		
CTO			
DNd	3 <sup>3</sup> / <sub>8</sub>		
DNs	3 <sup>15</sup> / <sub>16</sub>		
E	3/8"		
F	3/8"		
f	18 <sup>1</sup> / <sub>2</sub>		
Guard	7 <sup>5</sup> / <sub>8</sub>		
h	15 <sup>3</sup> / <sub>16</sub>		
h2	12 <sup>3</sup> / <sub>8</sub>		
Hmax	27 <sup>9</sup> / <sub>16</sub>		
L	51 <sup>3</sup> / <sub>16</sub>		
L1	52 <sup>3</sup> / <sub>8</sub>		
L2	4 <sup>5</sup> / <sub>16</sub>		
L3	43 <sup>11</sup> / <sub>16</sub>		
PM1	1/4"		
s	6xØ19		
Trim			
Volumen	1/32		

Weight	
Total weight	370.9 kg

Connections			
Suction nozzle		Discharge nozzle	
DN100		DN80	
PN10/16		PN10/16	
EN1092-2		EN1092-2	
C	1 <sup>5</sup> / <sub>16</sub>	C	7/8
D	9 <sup>1</sup> / <sub>16</sub>	D	7 <sup>7</sup> / <sub>8</sub>
d1	6 <sup>3</sup> / <sub>16</sub>	d1	5 <sup>3</sup> / <sub>16</sub>
K	7 <sup>1</sup> / <sub>16</sub>	K	6 <sup>5</sup> / <sub>16</sub>
L	3/4	L	3/4
Z	5/16	Z	5/16

Note:  
Weight and Dimensions of selected Hydrovar are NOT considered.  
Please refer to additional datasheet.

### Dimensions and weight without obligation

Project	Xylect-20182283	Created by		Last update	1/11/2025
Block	NSCF80-315/370/L46UCC4	Created on	1/11/2025		