

NSCF80-400/750/L46UCC4 E4

Technical data

Company name
Contact
Phone number
e-mail address

Operating data				
1	Pumpe type	Single head pump	Fluid	Water, pure
2	No. of pumps	1	Operating temperature t A	°F 39.2
3	Nominal flow	US g.p.m. 0	Max / Min Operating Temperature mech. Seal	°F 120 / -25
4	Nominal head	ft 0	pH-value at t A	7
5	Static head	ft 0	Density at t A	lb/ft ³ 62.4
6	Inlet pressure	psi 0	Kin. viscosity at t A	ft ² /s 1.689E-5
7	Environmental temperature	°F 68	Vapor pressure at t A	psi 14.5
8	Available system NPSH	ft 0	Altitude	0

Pump data				
9	Lubrication	Standard, Grease lubrication [Std]		
10	Execution	Standard coupling		
11	Design	Horizontal		
12	Operating speed	1788 rpm	Stages	1
13	Suction nozzle	DN100 / PN10/16 / EN1092-2	Impeller Ø	Max. inch 16 7/16
14	Discharge nozzle	DN80 / PN10/16 / EN1092-2		designed inch 16 7/16
15	Max. casing pressure	psi	Flow	Min. inch 13 11/16
16	Max. working pressure	psi 128.5		Nominal US g.p.m.
17	Impeller type	Radial impeller		Max- US g.p.m. 1108.8
18	Head H(Q=0)	ft 300	Head	Min- US g.p.m. 110.9
19	Max. shaft power	hp 85.7		Nominal ft
20	Pump weight	kg 339.5	at Qmax ft 200.3	Shaft power hp
21	Total weight	lb On demand	at Qmin ft 295.3	
			Efficiency %	
			NPSH 3%	

Materials				
22		Pump	Shaft Seal	
23	Volute Casing	Cast Iron, EN 1561 - GJL-250, ASTM Class 35		Single mechanical seal, without shaft sleeve
24	Impeller	Cast Iron, EN 1561 - GJL-200, ASTM Class 30		eMG12 - Ø48mm BQ7EGG-WA
25	Casing Cover	Cast Iron, EN 1561 - GJL-250, ASTM Class 35		Mechanical seal diameter 1 7/8 inch
26	Shaft	Stainless steel, 1.4057, AISI 431		1. Rotating ring Carbon graphite resin impregnated
27	Wear ring	Stainless steel, 1.4301, AISI 304		2. Stationary ring SiC, silicon carbide, sintered press. less
28	Impeller lock nut and washer	A4 (1.4401)		3. Secondary seal Ethylene propylene rubber (EPDM)
29	Impeller key	Stainless steel, 1.4571, AISI 316Ti		4. Springs CrNiMo - Steel
30	Fill and drain plugs	Galvanized carbon steel, EN 10277-3, AISI 1213 / 1215		5. Others EPDM - WRAS
31	Bearing bracket	Cast Iron, EN 1561 - GJL-250, ASTM Class 35		Gaskets of the pump Ethylene propylene rubber (EPDM)
32				
33				
34				
35				
36				
37				
38				
39				
40				
41				

Motor data				Electrical and dimensional data refer to IE4 motor		Coupling	
42	Manufacturer	Lowara		Manufacturer	Flender		
43	Specific design	IE4 3ph Surface Motor - Super Premium Efficiency		Series	Standard Coupling - N-EUPEX - Type B		
44	Type	3MGS 280 S B3 75 kW E4		Shaft diameter	Pump 1 5/8 inch	MotoØ 15/16 inch	
45	Rated power	100.58 hp	Rated current 141 A	Frame size	180		
46	Nominal speed	1788 rpm	Rated voltage 380 V	Spacer length	inch 3/16		
47	Frame size	280 S	Service factor 1	Weight	lb 25.4		
48	Weight	lb 1,547.2	Degree of protection IP55	Coupling protection	GR.COUPLGUARD ES42-230-23 A4	7.4956 lb	

Base plate			Remarks	
49	Name	BASEFRAME_NSC80-7_C00		
50	Weight	lb 284.6		

NSCF80-400/750/L46UCC4 E4

Performance curve

Company name
Contact
Phone number
e-mail address

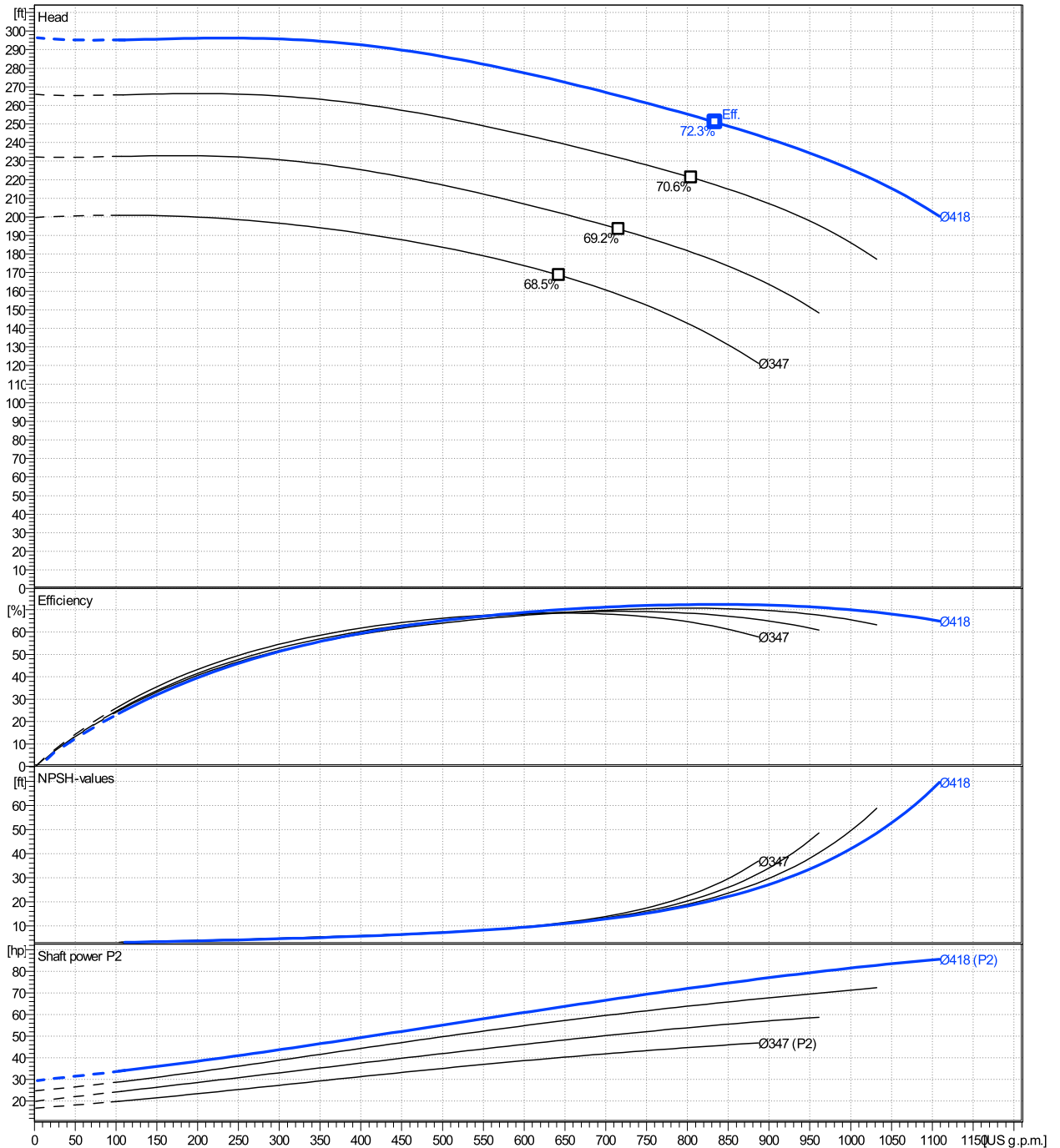
	Ø mm	Pump capacity Operating range η			Pump head H(Q=0) η		Shaft power P2 P2(Q=0) η			Frequency	Hz	
		Min. US g.p.m.	Max. US g.p.m.	Max. US g.p.m.	H(Q=0) ft	Max. ft	P2(Q=0) hp	Max. hp	η hp	Operating speed	rpm	
actual	16 7/16	111	1110	834	296	251	85.7	73.8			60	1788
Min.	0	/	/	643	200	169	/	40.1				0
Max.	16 7/16	/	/	834	296	251	/	73.8				0
										Nominal flow	US g.p.m.	0
										Nominal head	ft	0
										Inlet pressure	psi	0
										Static head	ft	0

Power datas referred to:

hydr. Performance acceptance acc. To EN ISO 9906 Class Grade 3B

Water, pure [100%] ; 39.2°F; 62.4lb/ft³; 1.69E-5ft²/s

MEI: >=0,70 - according to Ecodesign Directive 2009/125/EC and Regulation (EU) No.547/2012



NSCF80-400/750/L46UCC4 E4

Dimensions

Company name
Contact
Phone number
e-mail address

Frame mounted
Standard coupling
3MGS 280 S B3 75 kW E4

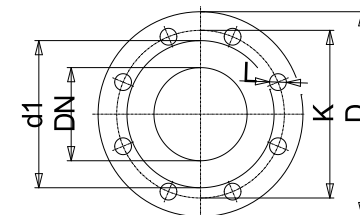
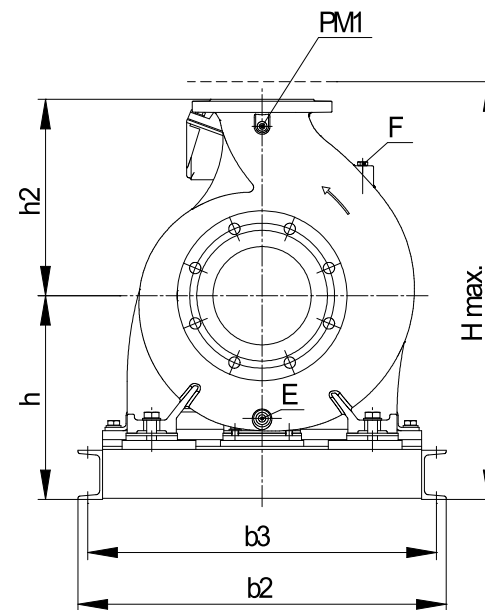
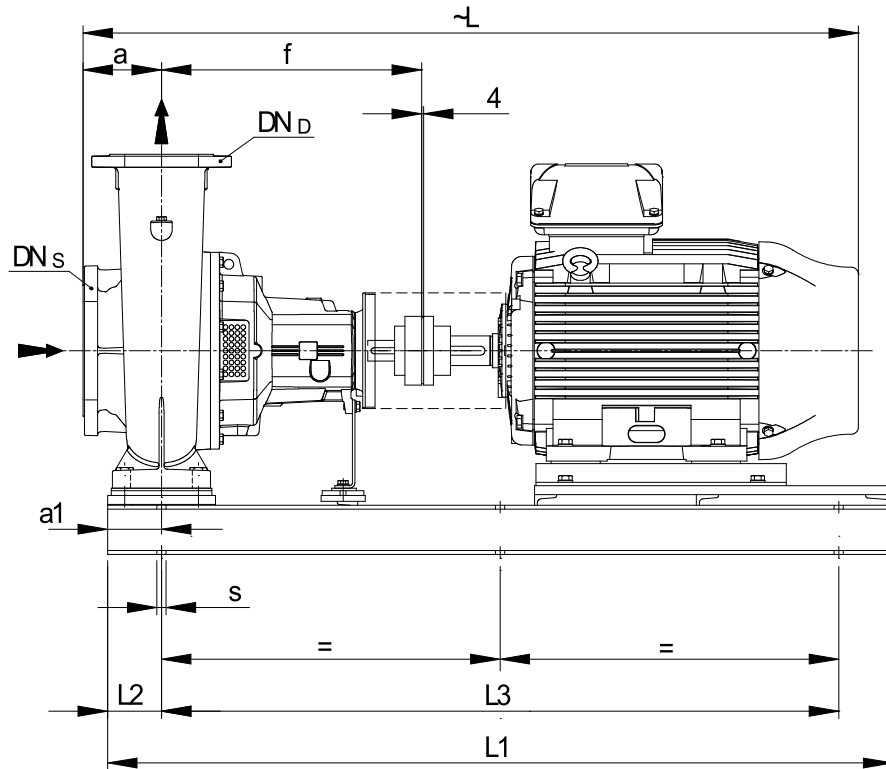
Electrical and dimensional data refer to IE4 motor

Dimensions [inch]

a	4 ¹⁵ / ₁₆		
a1	4 ⁵ / ₁₆		
b2	29 ¹ / ₂		
b3	27 ¹⁵ / ₁₆		
CTO			
DNd	3 ³ / ₈		
DNs	3 ¹⁵ / ₁₆		
E	3/8"		
F	3/8"		
f	20 ⁷ / ₈		
Guard	10		
h	16 ³ / ₄		
h2	14		
Hmax	33		
L1	63		
L2	4 ⁵ / ₁₆		
L3	54 ⁵ / ₁₆		
PM1	1/4"		
s	6xØ19		
Trim			
Volumen	1/16		

Weight	
Total weight	On demand kg

Connections			
Suction nozzle		Discharge nozzle	
DN100		DN80	
PN10/16		PN10/16	
EN1092-2		EN1092-2	
C	1 ⁵ / ₁₆	C	7/8
D	9 ¹ / ₁₆	D	7 ⁷ / ₈
d1	6 ³ / ₁₆	d1	5 ³ / ₁₆
K	7 ¹ / ₁₆	K	6 ⁵ / ₁₆
L	3/4	L	3/4
Z	5/16	Z	5/16



Value C, D may vary from Standard

Dimensions and weight without obligation

Project	Xylect-20182283	Created by		Last update	1/11/2025
Block	NSCF80-400/750/L46UCC4 E4	Created on	1/11/2025		