

NSCS 100-160/300/L25VCC4

Technical data

Company name
Contact
Phone number
e-mail address

Operating data				
1	Pumpe type	Single head pump	Fluid	Water, pure
2	No. of pumps	1	Operating temperature at t A	°C 4
3	Nominal flow	m³/h 0	Max / Min Operating Temperature mech. Seal	°C 120 / -25
4	Nominal head	m 0	pH-value at t A	7
5	Static head	m 0	Density at t A	kg/m³ 1000
6	Inlet pressure	kPa 0	Kin. viscosity at t A	mm²/s 1.569
7	Environmental temperature	°C 20	Vapor pressure at t A	kPa 100
8	Available system NPSH	m 0	Altitude	0

Pump data				
9	Lubrication	32		
10	Execution	Standard Design (Type B)		
11	Design	Horizontal		
12	Operating speed	2965 rpm	Stages	1
13	Suction nozzle	DN125 / PN10/16 / EN1092-2	Impeller Ø	Max. mm 187
14	Discharge nozzle	DN100 / PN10/16 / EN1092-2		designed mm 187
15	Max. casing pressure	kPa	Flow	Min. mm 144
16	Max. working pressure	kPa 432.4		Nominal m³/h
17	Impeller type	Radial impeller	Head	Max- m³/h 360
18	Head H(Q=0)	m 44		Min- m³/h 50
19	Max. shaft power	kW 29.7	Shaft power	Nominal m
20	Pump weight	kg		at Qmax m 21.7
21	Total weight	kg 297.8	Efficiency	at Qmin m 43.2
			NPSH 3%	kW
				%
				m

Materials				
Pump		Shaft Seal		
22				
23	Volute Casing	Cast Iron, EN 1561 - GJL-250, ASTM Class 35	Single mechanical seal, without shaft sleeve	
24	Impeller	Cast Iron, EN 1561 - GJL-200, ASTM Class 30	eMG12 - Ø38mm	BQ7EGG-WA
25	Casing Cover	Cast Iron, EN 1561 - GJL-250, ASTM Class 35	Mechanical seal diameter	38 mm
26	Shaft	Stainless steel, 1.4057, AISI 431	1. Rotating ring	Carbon graphite resin impregnated
27	Wear ring	Stainless steel, 1.4301, AISI 304	2. Stationary ring	SiC, silicon carbide, sintered press. less
28	Impeller lock nut and washer	A4 (1.4401)	3. Secondary seal	Ethylene propylene rubber (EPDM)
29	Impeller key	Stainless steel, 1.4571, AISI 316Ti	4. Springs	CrNiMo - Steel
30	Fill and drain plugs	Galvanized carbon steel, EN 10277-3, AISI 1213 / 1215	5. Others	EPDM - WRAS
31	Bearing bracket	Cast Iron, EN 1561 - GJL-250, ASTM Class 35	Gaskets of the pump	Ethylene propylene rubber (EPDM)
32				
33				
34				
35				
36				
37				
38				
39				
40				
41				

Motor data				
Electrical and dimensional data refer to IE3 motor				
42	Manufacturer	Lowara		
43	Specific design	IE3 3ph Flange Motor - Premium Efficiency		
44	Type	3MAS 200 L B35 30 kW		
45	Rated power	30 kW	Rated current	52.2 A
46	Nominal speed	2965 rpm	Rated voltage	400 V
47	Frame size	200 L	Service factor	1
48	Weight	kg 212.8	Degree of protection	IP55

Remarks				
49				
50				
50				
52				

NSCS 100-160/300/L25VCC4

Performance curve

Company name
Contact
Phone number
e-mail address

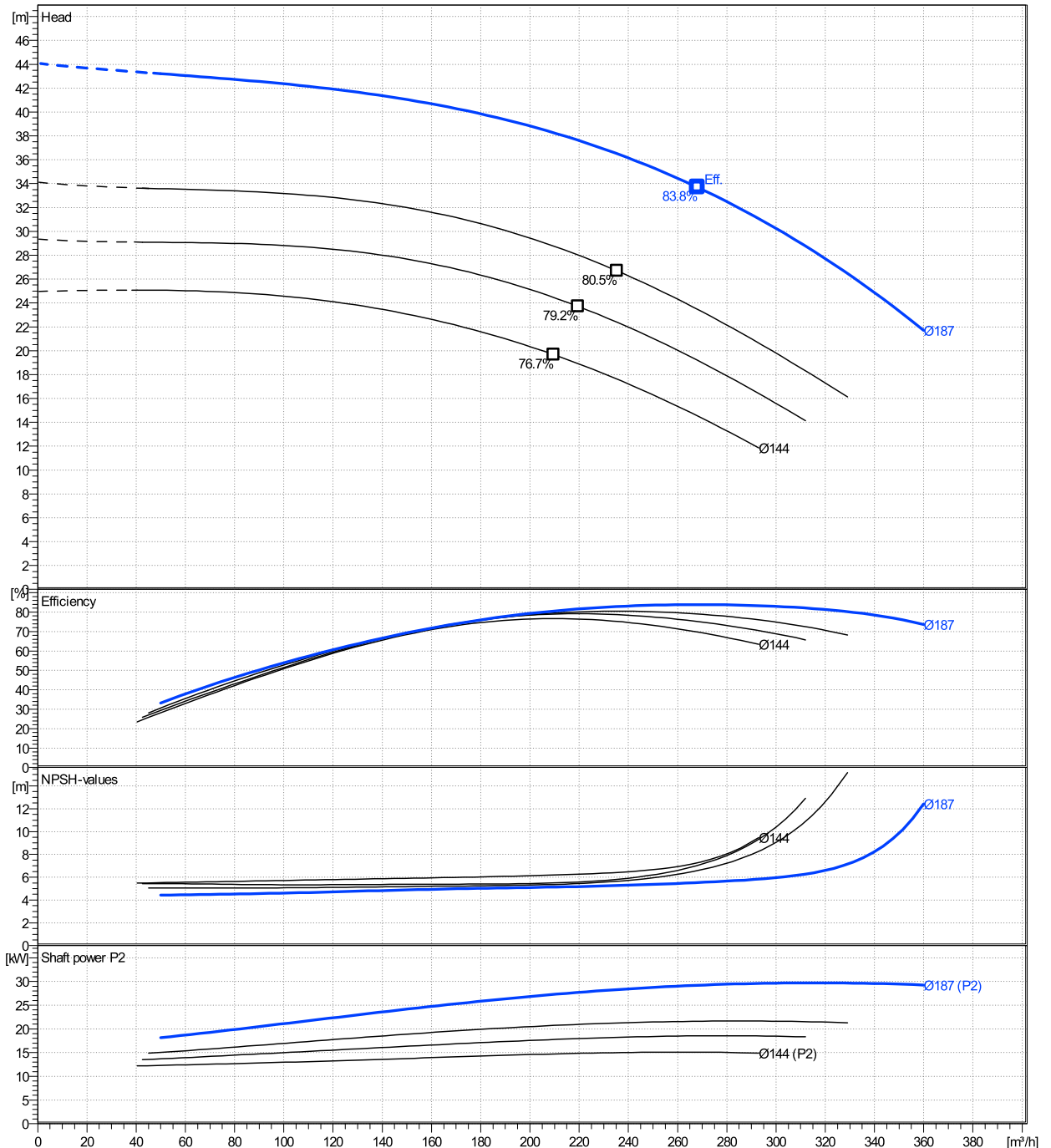
	Ø mm	Pump capacity			Pump head		Shaft power P2			Frequency	Hz
		Operating range Min. m³/h	Max. m³/h	η m³/h	H(Q=0) m	η m	P2(Q=0) kW	Max. kW	η kW	Operating speed rpm	2965
actual	187	50	360	268	44.1	33.7	29.7	29.2	Nominal flow	m³/h	0
Min.	0	/	/	210	25	19.7	/	14.7	Nominal head	m	0
Max.	187	/	/	268	44.1	33.7	/	29.2	Inlet pressure	kPa	0
									Static head	m	0

Power datas referred to:

hydr. Performance acceptance acc. To EN ISO 9906 Class Grade 3B

Water, pure [100%] ; 4°C; 1000kg/m³; 1.57mm²/s

MEI: >=0,70 - according to Ecodesign Directive 2009/125/EC and Regulation (EU) No.547/2012



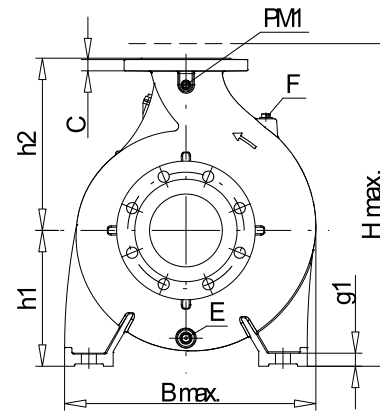
NSCS 100-160/300/L25VCC4

Dimensions

Company name
Contact
Phone number
e-mail address

Blockpump
Standard Design (Type B)
3MAS 200 L B35 30 kW

Electrical and dimensional data refer to IE3 motor



PM1...Pressure gauge connector
E...Drain
F...Filling



Value C, D may vary from Standard

Dimensions [mm]			
a	125	L	1042
A	318	m1	160
AA	69	m2	120
AB	408	n1	360
AD	300	n2	280
B	305	P	400
b	80	PM1	1/4"
BB	355	s1	19
Bmax	400	Trim	0
CTO	0	Type	B
DNd	100	Volumen	0.2084
DNs	125	w	379
E	3/8"	x	80
f	246		
F	3/8"		
g1	26		
H	200		
h1	200		
h2	280		
h3	0		
HA	27		
Hmax	500		
hs	0		
K	19		

Weight	
Total weight	297.8 kg

Connections			
Suction nozzle		Discharge nozzle	
DN125		DN100	
PN10/16		PN10/16	
EN1092-2		EN1092-2	
C	26	C	24
D	255	D	230
d1	184	d1	157
K	210	K	180
L	19	L	19
z	8	z	8

Dimensions and weight without obligation

Project	Xylect-20260347	Created by		Created on	11/27/2024	Last update	11/27/2024
Block	NSCS 100-160/300/L25VCC4						