

NSCS 100-200/40/P45VCC4

Technical data

Company name
Contact
Phone number
e-mail address

Operating data						
1	Pumpe type	Single head pump		Fluid	Water, pure	
2	No. of pumps	1		Operating temperature t A	°C	4
3	Nominal flow	m³/h	0	Max / Min Operating Temperature mech. Seal	°C	120 / -25
4	Nominal head	m	0	pH-value at t A		7
5	Static head	m	0	Density at t A	kg/m³	1000
6	Inlet pressure	kPa	0	Kin. viscosity at t A	mm²/s	1.569
7	Environmental temperature	°C	20	Vapor pressure at t A	kPa	100
8	Available system NPSH	m	0	Altitude		0

Pump data						
9	Lubrication	32				
10	Execution	Standard Design (Type A)				
11	Design	Horizontal				Impeller Ø
12	Operating speed	1465 rpm	Stages	1		Max. mm 227
13	Suction nozzle	DN125 / PN10/16 / EN1092-2				designed mm 197
14	Discharge nozzle	DN100 / PN10/16 / EN1092-2				Min. mm 197
15	Max. casing pressure	kPa				Nominal m³/h
16	Max. working pressure	kPa	122			Max- m³/h 180
17	Impeller type	Radial impeller				Min- m³/h 21.5
18	Head H(Q=0)	m	12			Nominal m
19	Max. shaft power	kW	4			at Qmax m 4.7
20	Pump weight	kg				at Qmin m 12.3
21	Total weight	kg	130.2			Shaft power kW
						Efficiency %
						NPSH 3% m

Materials					
Pump			Shaft Seal		
22					
23	Volute Casing	Cast Iron, EN 1561 - GJL-250, ASTM Class 35		Single mechanical seal, without shaft sleeve	
24	Impeller	Cast Iron, EN 1561 - GJL-200, ASTM Class 30		eMG12 - Ø38mm	BQ7EGG-WA
25	Casing Cover	Cast Iron, EN 1561 - GJL-250, ASTM Class 35		Mechanical seal diameter	38 mm
26	Shaft	Stainless steel, 1.4057, AISI 431		1. Rotating ring	Carbon graphite resin impregnated
27	Wear ring	Stainless steel, 1.4301, AISI 304		2. Stationary ring	SiC, silicon carbide, sintered press. less
28	Impeller lock nut and washer	A4 (1.4401)		3. Secondary seal	Ethylene propylene rubber (EPDM)
29	Impeller key	Stainless steel, 1.4571, AISI 316Ti		4. Springs	CrNiMo - Steel
30	Fill and drain plugs	Galvanized carbon steel, EN 10277-3, AISI 1213 / 1215		5. Others	EPDM - WRAS
31	Bearing bracket	Cast Iron, EN 1561 - GJL-250, ASTM Class 35		Gaskets of the pump	Ethylene propylene rubber (EPDM)
32					
33					
34					
35					
36					
37					
38					
39					
40					
41					

Motor data					
Electrical and dimensional data refer to IE3 motor					
42	Manufacturer	Lowara			
43	Specific design	IE3 3ph Flange Motor - Premium Efficiency			
44	Type	PLM 112 B5 4 kW			
45	Rated power	4 kW	Rated current	8.23 A	
46	Nominal speed	1445 rpm	Rated voltage	400 V	
47	Frame size	112	Service factor	1	
48	Weight	kg 57.2	Degree of protection	IP55	

Remarks					
49					
50					
50					
52					

Project	Xylect-20303810	Created by		Last update	12/6/2024
Block	NSCS 100-200/550/L25VCC4	Created on	12/6/2024		

NSCS 100-200/40/P45VCC4

Performance curve

Company name
Contact
Phone number
e-mail address

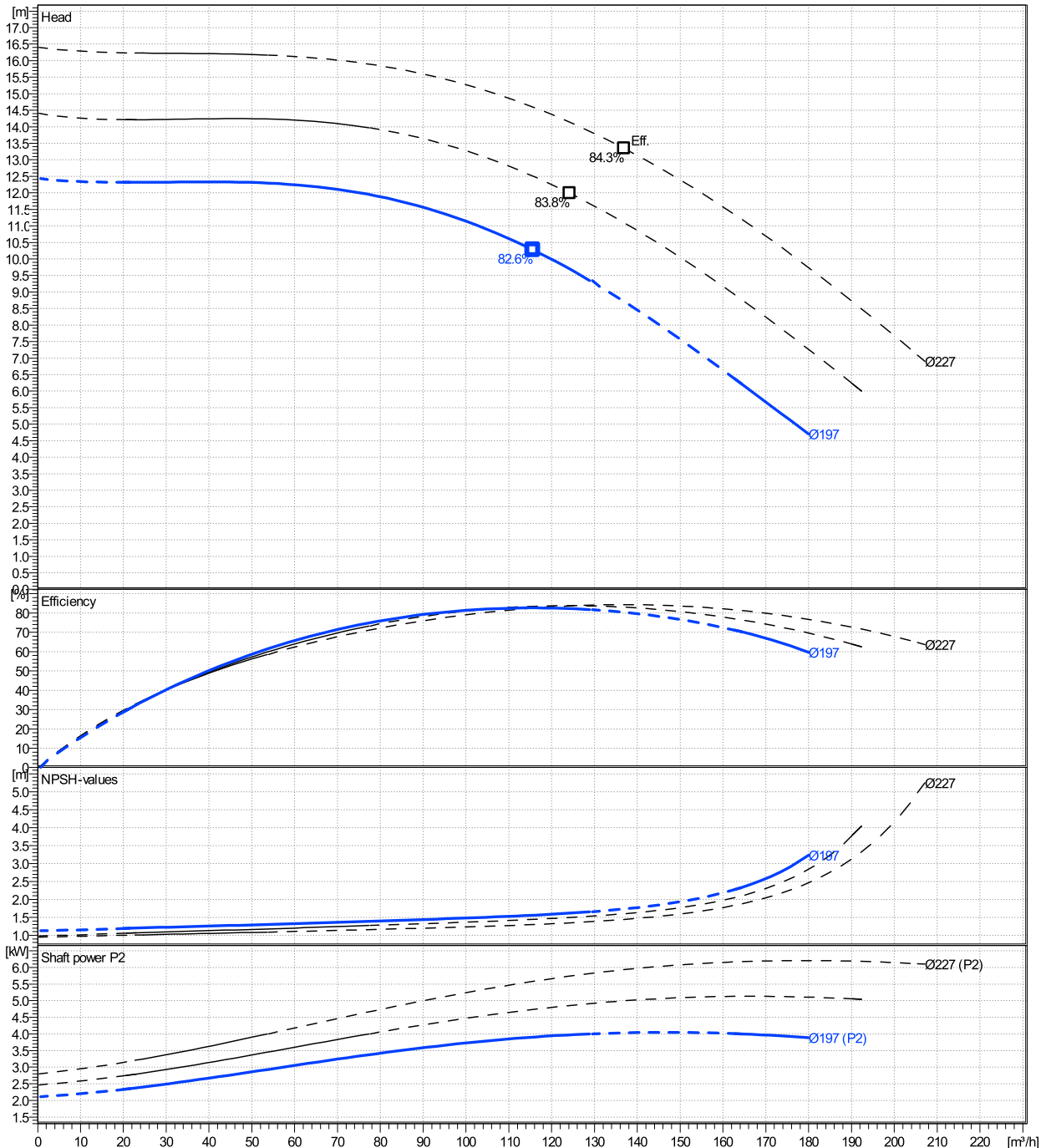
	Ø mm	Pump capacity			Pump head		Shaft power P2			Frequency	Hz	50
		Operating range Min. m³/h	Max. m³/h	η Max. m³/h	H(Q=0) m	η Max. m	P2(Q=0) kW	Max. kW	η Max. kW	Operating speed	rpm	1465
actual	197	21.5	180	116	12.4	10.3		4.05	3.9	Nominal flow	m³/h	0
Min.	0	/	/	116	12.4	10.3		/	3.9	Nominal head	m	0
Max.	227	/	/	137	16.4	13.3		/	5.93	Inlet pressure	kPa	0
										Static head	m	0

Power datas referred to:

hydr. Performance acceptance acc. To EN ISO 9906 Class Grade 3B

Water, pure [100%] ; 4°C; 1000kg/m³; 1.57mm²/s

MEI: 0,69 - according to Ecodesign Directive 2009/125/EC and Regulation (EU) No.547/2012



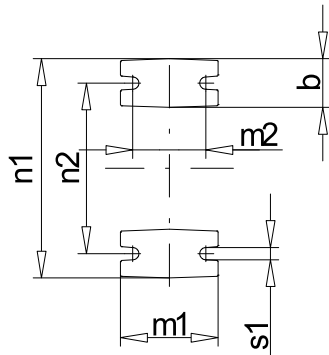
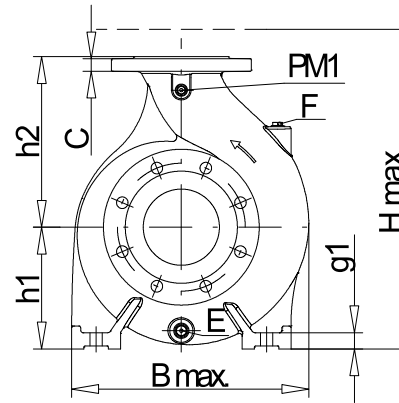
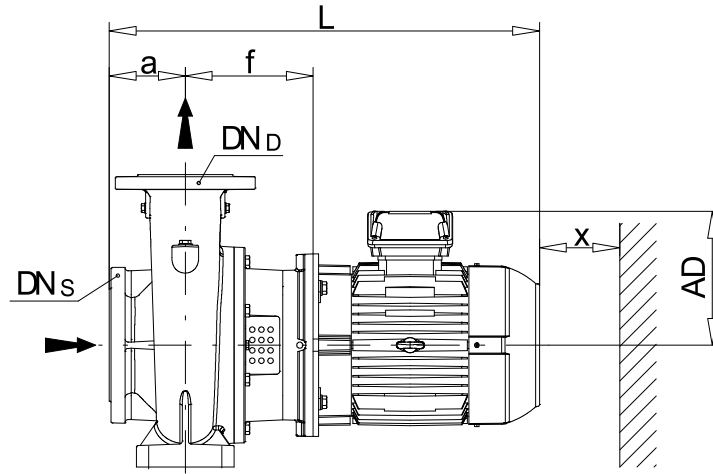
NSCS 100-200/40/P45VCC4

Dimensions

Company name
Contact
Phone number
e-mail address

Blockpump
Standard Design (Type A)
PLM 112 B5 4 kW

Electrical and dimensional data refer to IE3 motor



PM1...Pressure gauge connector
E...Drain
F....Filling



Value C, D may vary from Standard

Dimensions [mm]			
a	125	Volumen	0.12917
AD	168	w	253
b	80	x	80
Bmax	390		
CTO	0		
DNd	100		
DNs	125		
E	3/8"		
f	183		
F	3/8"		
g1	26		
h1	200		
h2	280		
Hmax	480		
L	690		
m1	160		
m2	120		
n1	360		
n2	280		
P	250		
PM1	1/4"		
s1	19		
Trim	0		
Type	A		

Weight	
Total weight	130.2 kg

Connections			
Suction nozzle		Discharge nozzle	
DN125		DN100	
PN10/16		PN10/16	
EN1092-2		EN1092-2	
C	26	C	24
D	255	D	230
d1	184	d1	157
K	210	K	180
L	19	L	19
z	8	z	8

Dimensions and weight without obligation

Project	Xylect-20303810	Created by		Last update	12/6/2024
Block	NSCS 100-200/550/L25VCC4	Created on	12/6/2024		