

NSCS 125-400/450/L45VCC4

Technical data

Company name
Contact
Phone number
e-mail address

Operating data				
1	Pumpe type	Single head pump	Fluid	Water, pure
2	No. of pumps	1	Operating temperature t A	°C 4
3	Nominal flow	m³/h 0	Max / Min Operating Temperature mech. Seal	°C 120 / -25
4	Nominal head	m 0	pH-value at t A	7
5	Static head	m 0	Density at t A	kg/m³ 1000
6	Inlet pressure	kPa 0	Kin. viscosity at t A	mm²/s 1.569
7	Environmental temperature	°C 20	Vapor pressure at t A	kPa 100
8	Available system NPSH	m 0	Altitude	0

Pump data					
9	Lubrication	42			
10	Execution	Standard Design (Type B)			
11	Design	Horizontal			
12	Operating speed	1485 rpm	Stages	1	
13	Suction nozzle	DN150 / PN10/16 / EN1092-2	Impeller Ø	Max.	mm 422
14	Discharge nozzle	DN125 / PN10/16 / EN1092-2		designed	mm 374
15	Max. casing pressure	kPa	Flow	Min.	mm 353
16	Max. working pressure	kPa 481.2		Nominal	m³/h
17	Impeller type	Radial impeller	Head	Max-	m³/h 360
18	Head H(Q=0)	m 49		Min-	m³/h 66
19	Max. shaft power	kW 44.5	Shaft power	Nominal	m
20	Pump weight	kg		at Qmax	m 28.9
21	Total weight	kg 478.6	Efficiency	at Qmin	m 49.6
			NPSH 3%		

Materials				
Pump		Shaft Seal		
22				
23	Volute Casing	Cast Iron, EN 1561 - GJL-250, ASTM Class 35	Single mechanical seal, without shaft sleeve	
24	Impeller	Cast Iron, EN 1561 - GJL-200, ASTM Class 30	eMG12 - Ø48mm	BQ7EGG-WA
25	Casing Cover	Cast Iron, EN 1561 - GJL-250, ASTM Class 35	Mechanical seal diameter	48 mm
26	Shaft	Stainless steel, 1.4057, AISI 431	1. Rotating ring	Carbon graphite resin impregnated
27	Wear ring	Stainless steel, 1.4301, AISI 304	2. Stationary ring	SiC, silicon carbide, sintered press. less
28	Impeller lock nut and washer	A4 (1.4401)	3. Secondary seal	Ethylene propylene rubber (EPDM)
29	Impeller key	Stainless steel, 1.4571, AISI 316Ti	4. Springs	CrNiMo - Steel
30	Fill and drain plugs	Galvanized carbon steel, EN 10277-3, AISI 1213 / 1215	5. Others	EPDM - WRAS
31	Bearing bracket	Cast Iron, EN 1561 - GJL-250, ASTM Class 35	Gaskets of the pump	Ethylene propylene rubber (EPDM)
32				
33				
34				
35				
36				
37				
38				
39				
40				
41				

Motor data				
Electrical and dimensional data refer to IE3 motor				
42	Manufacturer	Lowara		
43	Specific design	IE3 3ph Flange Motor - Premium Efficiency		
44	Type	3MAS 225 M B35 45 kW		
45	Rated power	45 kW	Rated current	79.6 A
46	Nominal speed	1480 rpm	Rated voltage	400 V
47	Frame size	225 M	Service factor	1
48	Weight	kg 285.6	Degree of protection	IP55

Remarks				
49				
50				
50				
52				

NSCS 125-400/450/L45VCC4

Performance curve

Company name
Contact
Phone number
e-mail address

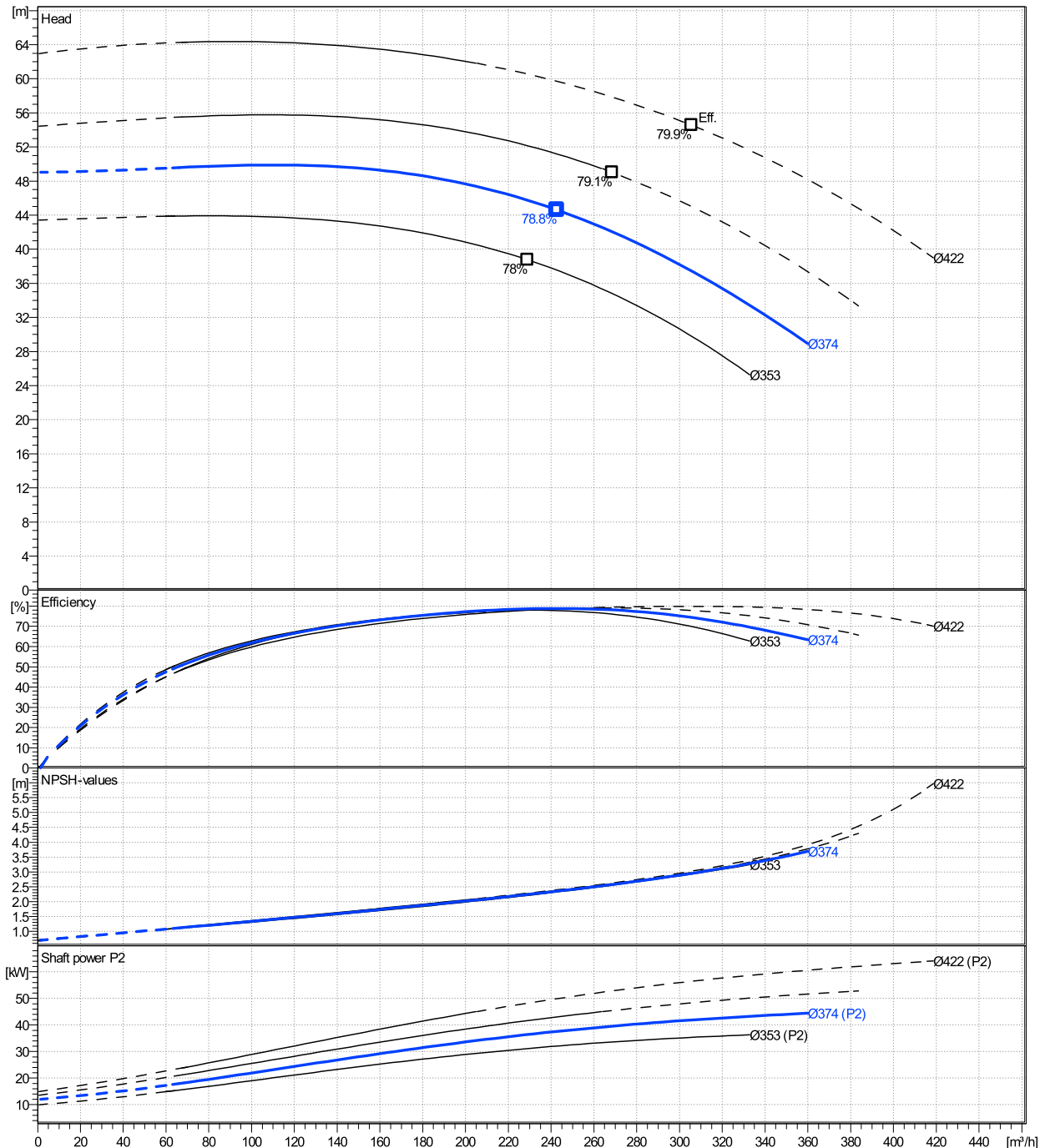
	Ø mm	Pump capacity			Pump head		Shaft power P2			Frequency		Hz	50
		Operating range Min. m³/h	Max. m³/h	η Max. m³/h	H(Q=0) m	η Max. m	P2(Q=0) kW	Max. kW	η Max. kW	Operating speed rpm	1485		
actual	374	66	360	243	49.1	44.6		44.5	37.6	Nominal flow	m³/h	0	
Min.	0	/	/	229	43.4	38.8		/	31.1	Nominal head	m	0	
Max.	422	/	/	306	62.9	54.5		/	56.5	Inlet pressure	kPa	0	
										Static head	m	0	

Power datas referred to:

hydr. Performance acceptance acc. To EN ISO 9906 Class Grade 3B

Water, pure [100%] ; 4°C; 1000kg/m³; 1.57mm²/s

MEI: >=0,70 - according to Ecodesign Directive 2009/125/EC and Regulation (EU) No.547/2012



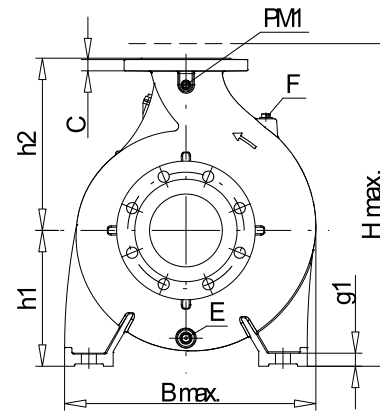
NSCS 125-400/450/L45VCC4

Dimensions

Company name
Contact
Phone number
e-mail address

Blockpump
Standard Design (Type B)
3MAS 225 M B35 45 kW

Electrical and dimensional data refer to IE3 motor



PM1...Pressure gauge connector
E...Drain
F...Filling



Value C, D may vary from Standard

Dimensions [mm]			
a	140	L	1190.5
A	356	m1	200
AA	84	m2	150
AB	470	n1	500
AD	323	n2	400
b	100	P	450
B	311	PM1	1/4"
BB	361	s1	23
Bmax	607	Trim	0
CTO	0	Type	B
DNd	125	Volumen	0.51668
DNs	150	w	433
E	3/8"	x	140
f	284		
F	3/8"		
g1	26		
H	225		
h1	315		
h2	400		
h3	0		
HA	30		
Hmax	715		
hs	90		
K	19		

Weight	
Total weight	478.6 kg

Connections			
Suction nozzle		Discharge nozzle	
DN150		DN125	
PN10/16		PN10/16	
EN1092-2		EN1092-2	
C	26	C	26
D	285	D	255
d1	211	d1	184
K	240	K	210
L	23	L	19
z	8	z	8

Dimensions and weight without obligation

Project	Xylect-20260347	Created by		Last update	11/27/2024
Block	NSCS 125-400/750/L45VCC4 E4	Created on	11/27/2024		