

NSCS 125-400/550/L45VCC4

Technical data

Company name
Contact
Phone number
e-mail address

Operating data						
1	Pumpe type	Single head pump		Fluid	Water, pure	
2	No. of pumps	1		Operating temperature t A	°C	4
3	Nominal flow	m³/h	0	Max / Min Operating Temperature mech. Seal	°C	120 / -25
4	Nominal head	m	0	pH-value at t A		7
5	Static head	m	0	Density at t A	kg/m³	1000
6	Inlet pressure	kPa	0	Kin. viscosity at t A	mm²/s	1.569
7	Environmental temperature	°C	20	Vapor pressure at t A	kPa	100
8	Available system NPSH	m	0	Altitude		0

Pump data							
9	Lubrication	42					
10	Execution	Standard Design (Type B)					
11	Design	Horizontal					
12	Operating speed	1485 rpm	Stages	1			
13	Suction nozzle	DN150	/	PN10/16	/	EN1092-2	
14	Discharge nozzle	DN125	/	PN10/16	/	EN1092-2	
15	Max. casing pressure	kPa		Impeller Ø	Max.	mm 422	
16	Max. working pressure	kPa	537.7		designed	mm 394	
17	Impeller type	Radial impeller			Min.	mm 353	
18	Head H(Q=0)	m	55	Flow	Nominal	m³/h	
19	Max. shaft power	kW	53.4		Max-	m³/h	385
20	Pump weight	kg			Min-	m³/h	67.8
21	Total weight	kg	665.0	Head	Nominal	m	
					at Qmax	m	33.6
					at Qmin	m	55.9
				Shaft power		kW	
				Efficiency		%	
				NPSH 3%		m	

Materials					
Pump			Shaft Seal		
22					
23	Volute Casing	Cast Iron, EN 1561 - GJL-250, ASTM Class 35		Single mechanical seal, without shaft sleeve	
24	Impeller	Cast Iron, EN 1561 - GJL-200, ASTM Class 30		eMG12 - Ø48mm	BQ7EGG-WA
25	Casing Cover	Cast Iron, EN 1561 - GJL-250, ASTM Class 35		Mechanical seal diameter	48 mm
26	Shaft	Stainless steel, 1.4057, AISI 431		1. Rotating ring	Carbon graphite resin impregnated
27	Wear ring	Stainless steel, 1.4301, AISI 304		2. Stationary ring	SiC, silicon carbide, sintered press.less
28	Impeller lock nut and washer	A4 (1.4401)		3. Secondary seal	Ethylene propylene rubber (EPDM)
29	Impeller key	Stainless steel, 1.4571, AISI 316Ti		4. Springs	CrNiMo - Steel
30	Fill and drain plugs	Galvanized carbon steel, EN 10277-3, AISI 1213 / 1215		5. Others	EPDM - WRAS
31	Bearing bracket	Cast Iron, EN 1561 - GJL-250, ASTM Class 35		Gaskets of the pump	Ethylene propylene rubber (EPDM)
32					
33					
34					
35					
36					
37					
38					
39					
40					
41					

Motor data					
Electrical and dimensional data refer to IE3 motor					
42	Manufacturer	Lowara			
43	Specific design	IE3 3ph Flange Motor - Premium Efficiency			
44	Type	3MGS 250 M B35 55 kW			
45	Rated power	55 kW	Rated current	97.5 A	
46	Nominal speed	1485 rpm	Rated voltage	400 V	
47	Frame size	250 M	Service factor	1	
48	Weight	kg 463.0	Degree of protection	IP55	

Remarks					
49					
50					
50					
52					

Project	Xylect-20260347	Created by		Last update	11/27/2024
Block	NSCS 125-400/750/L45VCC4 E4	Created on	11/27/2024		

NSCS 125-400/550/L45VCC4

Performance curve

Company name
Contact
Phone number
e-mail address

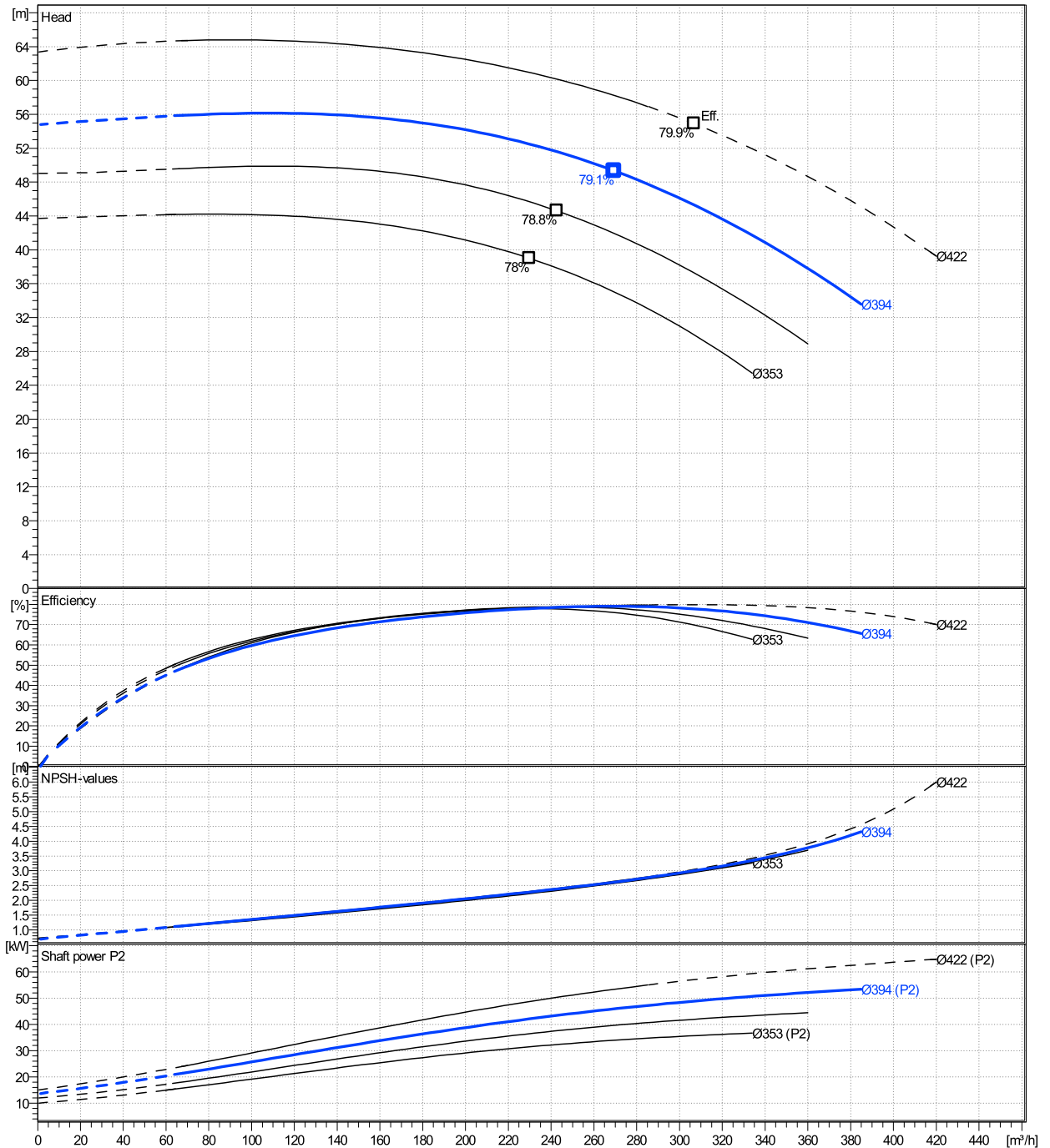
	Ø mm	Pump capacity			Pump head		Shaft power P2			Frequency	Hz	50
		Operating range Min. m³/h	Max. m³/h	η Max. m³/h	H(Q=0) m	η Max. m	P2(Q=0) kW	Max. kW	η Max. kW	Operating speed	rpm	1485
actual	394	67.8	385	269	54.8	49.3	53.4	45.9	Nominal flow	m³/h	0	
Min.	0	/	/	230	43.7	39	/	31.5	Nominal head	m	0	
Max.	422	/	/	307	63.4	54.9	/	57	Inlet pressure	kPa	0	
									Static head	m	0	

Power datas referred to:

hydr. Performance acceptance acc. To EN ISO 9906 Class Grade 3B

Water, pure [100%] ; 4°C; 1000kg/m³; 1.57mm²/s

MEI: >=0,70 - according to Ecodesign Directive 2009/125/EC and Regulation (EU) No.547/2012



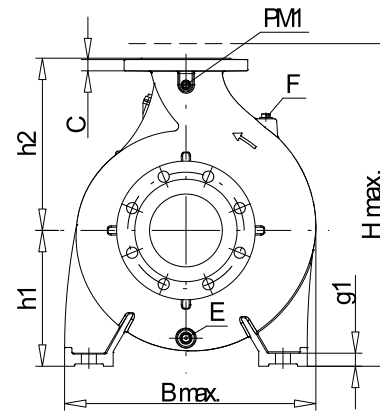
NSCS 125-400/550/L45VCC4

Dimensions

Company name
Contact
Phone number
e-mail address

Blockpump
Standard Design (Type B)
3MGS 250 M B35 55 kW

Electrical and dimensional data refer to IE3 motor



PM1...Pressure gauge connector
E...Drain
F...Filling



Value C, D may vary from Standard

Dimensions [mm]			
a	140	L	1190.5
A	406	m1	200
AA	100	m2	150
AB	516	n1	500
AD	377	n2	400
b	100	P	550
B	349	PM1	1/4"
BB	421	s1	23
Bmax	607	Trim	0
CTO	0	Type	B
DNd	125	Volumen	0.51668
DNs	150	w	452
E	3/8"	x	140
f	284		
F	3/8"		
g1	26		
H	250		
h1	315		
h2	400		
h3	0		
HA	36		
Hmax	715		
hs	65		
K	24		

Weight	
Total weight	665 kg

Connections			
Suction nozzle		Discharge nozzle	
DN150		DN125	
PN10/16		PN10/16	
EN1092-2		EN1092-2	
C	26	C	26
D	285	D	255
d1	211	d1	184
K	240	K	210
L	23	L	19
z	8	z	8

Dimensions and weight without obligation

Project	Xylect-20260347	Created by		Last update	11/27/2024
Block	NSCS 125-400/750/L45VCC4 E4	Created on	11/27/2024		