

# NSCS 150-250/110/L65VCC4

## Technical data

Company name  
Contact  
Phone number  
e-mail address

Operating data						
1	Pumpe type	Single head pump		Fluid	Water, pure	
2	No. of pumps	1		Operating temperature t A	°C	4
3	Nominal flow	m <sup>3</sup> /h	0	Max / Min Operating Temperature mech. Seal	°C	120 / -25
4	Nominal head	m	0	pH-value at t A		7
5	Static head	m	0	Density at t A	kg/m <sup>3</sup>	1000
6	Inlet pressure	kPa	0	Kin. viscosity at t A	mm <sup>2</sup> /s	1.569
7	Environmental temperature	°C	20	Vapor pressure at t A	kPa	100
8	Available system NPSH	m	0	Altitude		0

Pump data								
9	Lubrication	42						
10	Execution	Standard Design (Type B)						
11	Design	Horizontal						
12	Operating speed	975 rpm	Stages	1				
13	Suction nozzle	DN200	/	PN16	/ EN1092-2			
14	Discharge nozzle	DN150	/	PN10/16	/ EN1092-2			
15	Max. casing pressure	kPa		Impeller Ø	Max.	mm	282	
16	Max. working pressure	kPa	110.2		designed	mm	282	
17	Impeller type	Radial impeller			Flow	Min.	mm	253
18	Head H(Q=0)	m	11			Nominal	m <sup>3</sup> /h	
19	Max. shaft power	kW	7.9		Head	Max-	m <sup>3</sup> /h	410
20	Pump weight	kg				Min-	m <sup>3</sup> /h	40
21	Total weight	kg	272.0		Shaft power	Nominal	m	
						at Qmax	m	4.6
					Efficiency	at Qmin	m	11.1
					Efficiency	%		
					NPSH 3%	m		

Materials					
Pump			Shaft Seal		
23	Volute Casing	Cast Iron, EN 1561 - GJL-250, ASTM Class 35		Single mechanical seal, without shaft sleeve	
24	Impeller	Cast Iron, EN 1561 - GJL-200, ASTM Class 30		eMG12 - Ø48mm	BQ7EGG-WA
25	Casing Cover	Cast Iron, EN 1561 - GJL-250, ASTM Class 35		Mechanical seal diameter	48 mm
26	Shaft	Stainless steel, 1.4057, AISI 431		1. Rotating ring	Carbon graphite resin impregnated
27	Wear ring	Stainless steel, 1.4301, AISI 304		2. Stationary ring	SiC, silicon carbide, sintered press.less
28	Impeller lock nut and washer	A4 (1.4401)		3. Secondary seal	Ethylene propylene rubber (EPDM)
29	Impeller key	Stainless steel, 1.4571, AISI 316Ti		4. Springs	CrNiMo - Steel
30	Fill and drain plugs	Galvanized carbon steel, EN 10277-3, AISI 1213 / 1215		5. Others	EPDM - WRAS
31	Bearing bracket	Cast Iron, EN 1561 - GJL-250, ASTM Class 35		Gaskets of the pump	Ethylene propylene rubber (EPDM)
32					
33					
34					
35					
36					
37					
38					
39					
40					
41					

Motor data					
Electrical and dimensional data refer to IE3 motor					
42	Manufacturer	Lowara			
43	Specific design	IE3 3ph Flange Motor - Premium Efficiency			
44	Type	3MAS 160 L B35 11 kW			
45	Rated power	11 kW	Rated current	23 A	
46	Nominal speed	975 rpm	Rated voltage	400 V	
47	Frame size	160 L	Service factor	1	
48	Weight	kg	108.0	Degree of protection	IP55

Remarks					
49					
50					
50					
52					

Project	Xylect-20303810	Created by		Last update	12/6/2024
Block	NSCS 150-250/300/L45VCC4	Created on	12/6/2024		

# NSCS 150-250/110/L65VCC4

## Performance curve

Company name  
Contact  
Phone number  
e-mail address

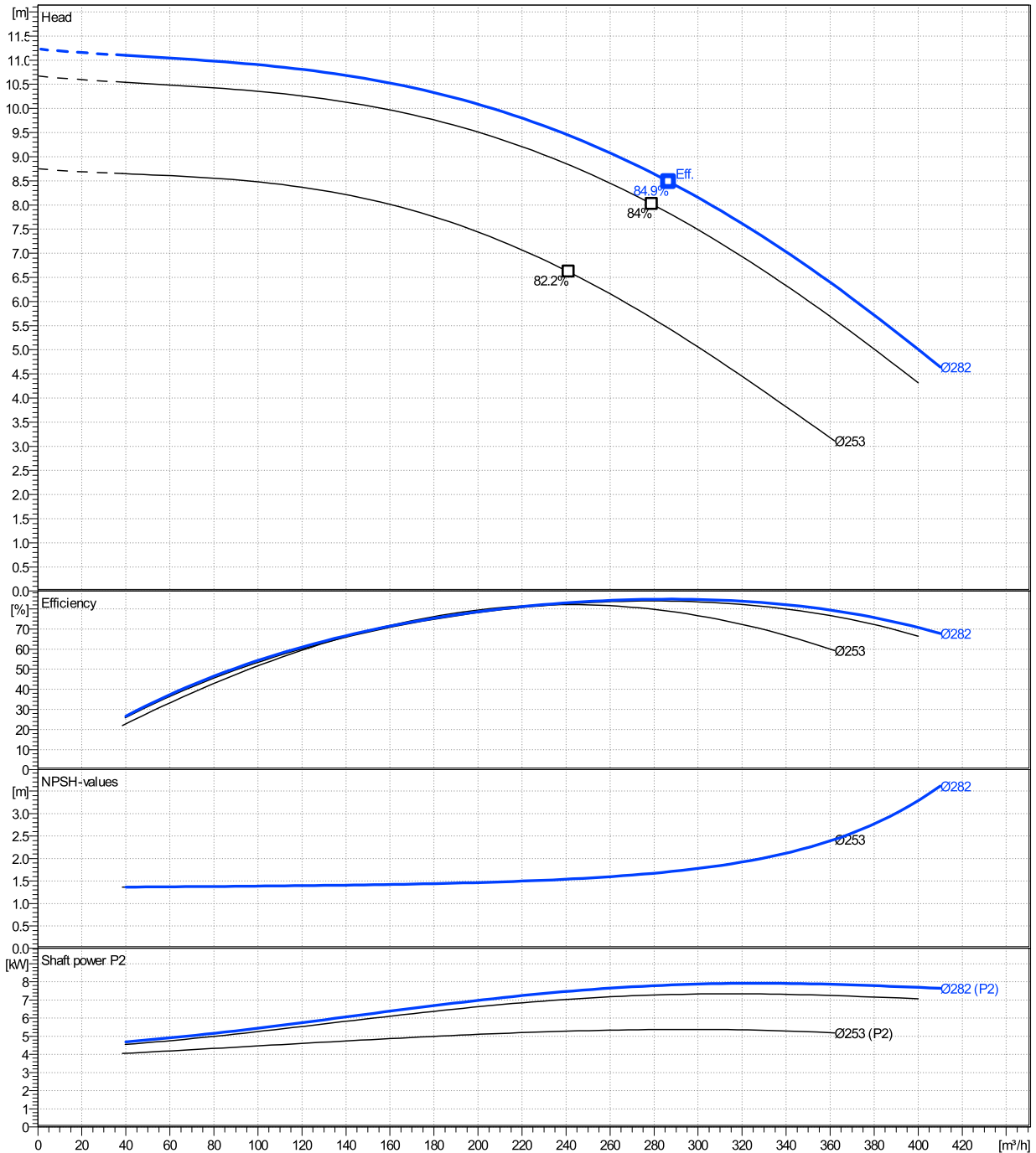
	Ø mm	Pump capacity Operating range			Pump head		Shaft power P2			Frequency	Hz
		Min. m³/h	Max. m³/h	η Max. m³/h	H(Q=0) m	η Max. m	P2(Q=0) kW	Max. kW	η Max. kW	Operating speed	rpm
actual	282	40	410	287	11.2	8.48	7.92	7.83		50	
Min.	0	/	/	241	8.75	6.61	/	5.29		975	
Max.	282	/	/	287	11.2	8.48	/	7.83		0	
									Nominal flow	m³/h	0
									Nominal head	m	0
									Inlet pressure	kPa	0
									Static head	m	0

**Power datas referred to:**

hydr. Performance acceptance acc. To EN ISO 9906 Class Grade 3B

Water, pure [100%] ; 4°C; 1000kg/m³; 1.57mm²/s

MEI: 0,68 - according to Ecodesign Directive 2009/125/EC and Regulation (EU) No.547/2012



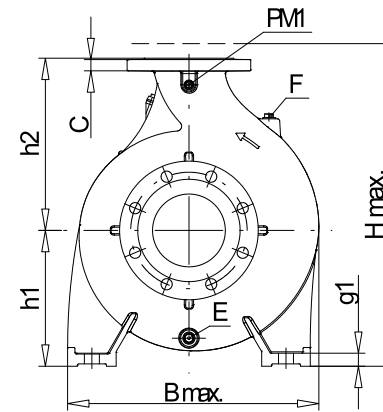
# NSCS 150-250/110/L65VCC4

## Dimensions

Company name  
Contact  
Phone number  
e-mail address

Blockpump  
Standard Design (Type B)  
3MAS 160 L B35 11 kW

Electrical and dimensional data refer to IE3 motor



PM1...Pressure gauge connector  
E...Drain  
F...Filling



Value C, D may vary from Standard

Dimensions [ mm ]			
a	160	L	959
A	254	m1	200
AA	62	m2	150
AB	332	n1	500
AD	252	n2	400
b	100	P	350
B	254	PM1	1/4"
BB	299	s1	23
Bmax	567	Trim	0
CTO	0	Type	B
DNd	150	Volumen	0.36975
DNs	200	w	362
E	3/8"	x	140
f	254		
F	3/8"		
g1	26		
H	160		
h1	280		
h2	400		
h3	0		
HA	22		
Hmax	680		
hs	120		
K	15		

Weight	
Total weight	272 kg

Connections			
Suction nozzle		Discharge nozzle	
DN200		DN150	
PN16		PN10/16	
EN1092-2		EN1092-2	
C	30	C	26
D	345	D	285
d1	266	d1	211
K	295	K	240
L	23	L	23
z	12	z	8

### Dimensions and weight without obligation

Project	Xylect-20303810	Created by		Created on	12/6/2024	Last update	12/6/2024
Block	NSCS 150-250/300/L45VCC4						