

NSCS 150-250/150/P45VCC4

Technical data

Company name
Contact
Phone number
e-mail address

Operating data					
1	Pumpe type	Single head pump	Fluid	Water, pure	
2	No. of pumps	1	Operating temperature t A	°C	4
3	Nominal flow	m³/h 0	Max / Min Operating Temperature mech. Seal	°C	120 / -25
4	Nominal head	m 0	pH-value at t A		7
5	Static head	m 0	Density at t A	kg/m³	1000
6	Inlet pressure	kPa 0	Kin. viscosity at t A	mm²/s	1.569
7	Environmental temperature	°C 20	Vapor pressure at t A	kPa	100
8	Available system NPSH	m 0	Altitude		0

Pump data					
9	Lubrication	42			
10	Execution	Standard Design (Type B)			
11	Design	Horizontal			
12	Operating speed	1480 rpm	Stages	1	
13	Suction nozzle	DN200 / PN16	/ EN1092-2		
14	Discharge nozzle	DN150 / PN10/16	/ EN1092-2		
15	Max. casing pressure	kPa	170.8	Impeller Ø	Max. mm 282
16	Max. working pressure	kPa			designed mm 238
17	Impeller type	Radial impeller		Flow	Min. mm 238
18	Head H(Q=0)	m	17		Nominal m³/h
19	Max. shaft power	kW	14.9	Head	Max- m³/h 462
20	Pump weight	kg			Min- m³/h 60
21	Total weight	kg	293.0	Shaft power	Nominal m 7.9
					at Qmax m 17.2
				Efficiency	
				NPSH 3%	

Materials					
Pump			Shaft Seal		
22					
23	Volute Casing	Cast Iron, EN 1561 - GJL-250, ASTM Class 35		Single mechanical seal, without shaft sleeve	
24	Impeller	Cast Iron, EN 1561 - GJL-200, ASTM Class 30		eMG12 - Ø48mm	BQ7EGG-WA
25	Casing Cover	Cast Iron, EN 1561 - GJL-250, ASTM Class 35		Mechanical seal diameter	48 mm
26	Shaft	Stainless steel, 1.4057, AISI 431		1. Rotating ring	Carbon graphite resin impregnated
27	Wear ring	Stainless steel, 1.4301, AISI 304		2. Stationary ring	SiC, silicon carbide, sintered press. less
28	Impeller lock nut and washer	A4 (1.4401)		3. Secondary seal	Ethylene propylene rubber (EPDM)
29	Impeller key	Stainless steel, 1.4571, AISI 316Ti		4. Springs	CrNiMo - Steel
30	Fill and drain plugs	Galvanized carbon steel, EN 10277-3, AISI 1213 / 1215		5. Others	EPDM - WRAS
31	Bearing bracket	Cast Iron, EN 1561 - GJL-250, ASTM Class 35		Gaskets of the pump	Ethylene propylene rubber (EPDM)
32					
33					
34					
35					
36					
37					
38					
39					
40					
41					

Motor data					
Electrical and dimensional data refer to IE3 motor					
42	Manufacturer	Lowara			
43	Specific design	IE3 3ph Flange Motor - Premium Efficiency			
44	Type	PLM 160 B35 15 kW			
45	Rated power	15 kW	Rated current	30.7 A	
46	Nominal speed	1465 rpm	Rated voltage	400 V	
47	Frame size	160	Service factor	1	
48	Weight	kg 129.0	Degree of protection	IP55	

Remarks					
49					
50					
50					
52					

Project	Xylect-20303810	Created by		Last update	12/6/2024
Block	NSCS 150-250/300/L45VCC4	Created on	12/6/2024		

NSCS 150-250/150/P45VCC4

Performance curve

Company name
Contact
Phone number
e-mail address

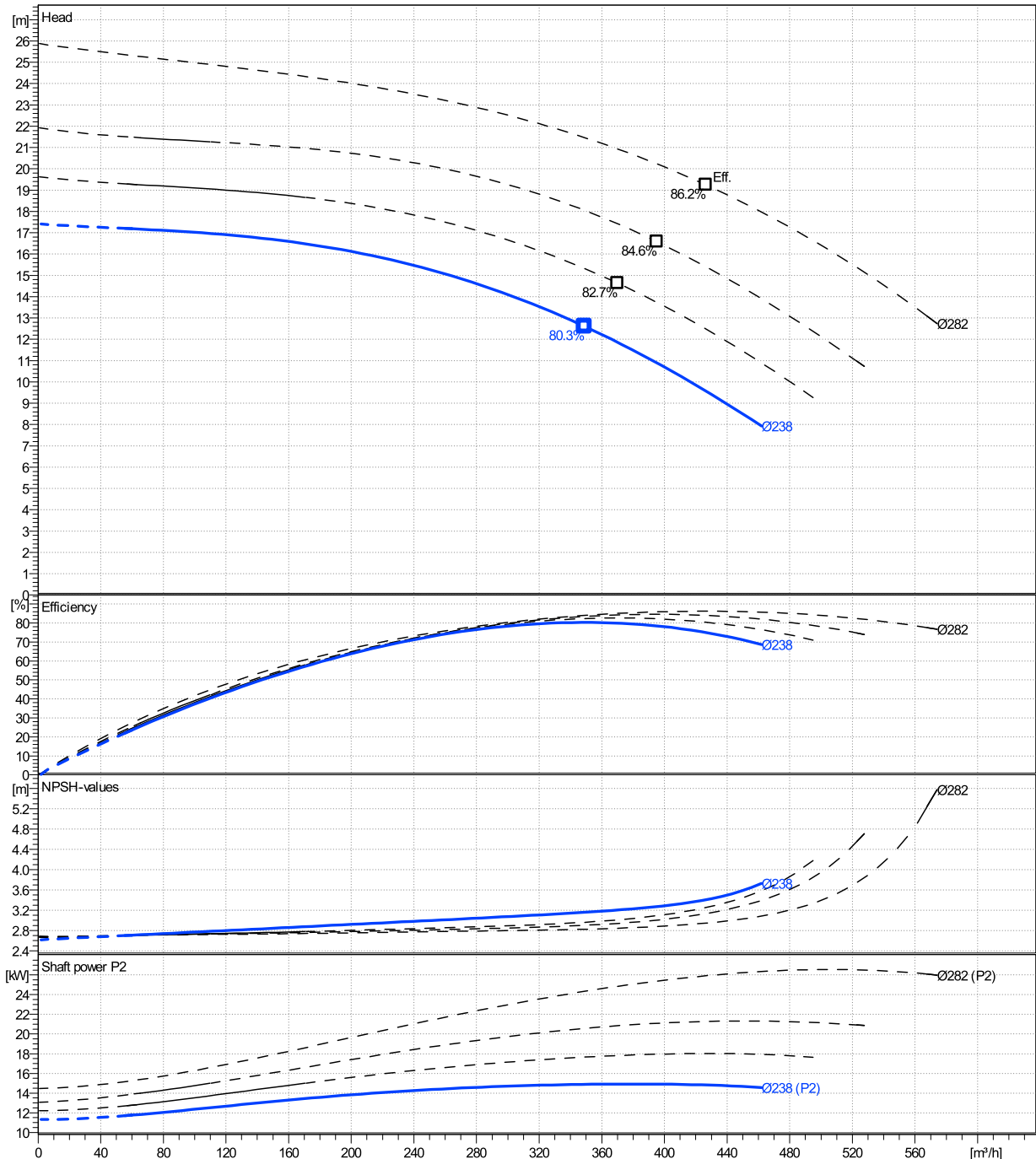
	Ø mm	Pump capacity			Pump head		Shaft power P2			Frequency		
		Operating range Min. m³/h	Max. m³/h	η Max. m³/h	H(Q=0) m	η Max. m	P2(Q=0) kW	Max. kW	η Max. kW	Hz		
actual	238	60	462	349	17.4	12.6		14.9	14.9	Operating speed	rpm	1480
Min.	0	/	/	349	17.4	12.6		/	14.9	Nominal flow	m³/h	0
Max.	282	/	/	427	25.9	19.2		/	25.9	Nominal head	m	0
										Inlet pressure	kPa	0
										Static head	m	0

Power datas referred to:

hydr. Performance acceptance acc. To EN ISO 9906 Class Grade 3B

Water, pure [100%] ; 4°C; 1000kg/m³; 1.57mm²/s

MEI: 0,68 - according to Ecodesign Directive 2009/125/EC and Regulation (EU) No.547/2012



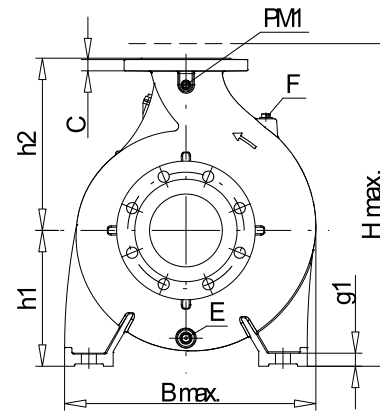
NSCS 150-250/150/P45VCC4

Dimensions

Company name
Contact
Phone number
e-mail address

Blockpump
Standard Design (Type B)
PLM 160 B35 15 kW

Electrical and dimensional data refer to IE3 motor



PM1...Pressure gauge connector
E...Drain
F...Filling



Value C, D may vary from Standard

Dimensions [mm]			
a	160	L	908
A	254	m1	200
AA	49	m2	150
AB	304	n1	500
AD	240	n2	400
b	100	P	350
B	254	PM1	1/4"
BB	304	s1	23
Bmax	567	Trim	0
CTO	0	Type	B
DNd	150	Volumen	0.35009
DNs	200	w	362
E	3/8"	x	140
f	254		
F	3/8"		
g1	26		
H	160		
h1	280		
h2	400		
h3	0		
HA	5		
Hmax	680		
hs	120		
K	15		

Weight	
Total weight	293 kg

Connections			
Suction nozzle		Discharge nozzle	
DN200		DN150	
PN16		PN10/16	
EN1092-2		EN1092-2	
C	30	C	26
D	345	D	285
d1	266	d1	211
K	295	K	240
L	23	L	23
z	12	z	8

Dimensions and weight without obligation

Project	Xylect-20303810	Created by		Last update	12/6/2024
Block	NSCS 150-250/300/L45VCC4	Created on	12/6/2024		