

NSCS 150-315/450/L45VCC4

Technical data

Company name
Contact
Phone number
e-mail address

Operating data						
1	Pumpe type	Single head pump		Fluid	Water, pure	
2	No. of pumps	1		Operating temperature t A	°C	4
3	Nominal flow	m ³ /h	0	Max / Min Operating Temperature mech. Seal	°C	120 / -25
4	Nominal head	m	0	pH-value at t A	7	
5	Static head	m	0	Density at t A	kg/m ³	1000
6	Inlet pressure	kPa	0	Kin. viscosity at t A	mm ² /s	1.569
7	Environmental temperature	°C	20	Vapor pressure at t A	kPa	100
8	Available system NPSH	m	0	Altitude	0	

Pump data						
9	Lubrication	42				
10	Execution	Standard Design (Type B)				
11	Design	Horizontal				Impeller Ø
12	Operating speed	1480 rpm	Stages	1		
13	Suction nozzle	DN200	/	PN16	/	EN1092-2
14	Discharge nozzle	DN150	/	PN10/16	/	EN1092-2
15	Max. casing pressure	kPa				Flow
16	Max. working pressure	kPa	359.4			
17	Impeller type	Radial impeller				Head
18	Head H(Q=0)	m	37			
19	Max. shaft power	kW	44.3			
20	Pump weight	kg				Shaft power
21	Total weight	kg	457.6			Efficiency
						NPSH 3%

Materials						
22		Pump			Shaft Seal	
23	Volute Casing	Cast Iron, EN 1561 - GJL-250, ASTM Class 35			Single mechanical seal, without shaft sleeve	
24	Impeller	Cast Iron, EN 1561 - GJL-200, ASTM Class 30			eMG12 - Ø48mm	BQ7EGG-WA
25	Casing Cover	Cast Iron, EN 1561 - GJL-250, ASTM Class 35			Mechanical seal diameter	48 mm
26	Shaft	Stainless steel, 1.4057, AISI 431			1. Rotating ring	Carbon graphite resin impregnated
27	Wear ring	Stainless steel, 1.4301, AISI 304			2. Stationary ring	SiC, silicon carbide, sintered press. less
28	Impeller lock nut and washer	A4 (1.4401)			3. Secondary seal	Ethylene propylene rubber (EPDM)
29	Impeller key	Stainless steel, 1.4571, AISI 316Ti			4. Springs	CrNiMo - Steel
30	Fill and drain plugs	Galvanized carbon steel, EN 10277-3, AISI 1213 / 1215			5. Others	EPDM - WRAS
31	Bearing bracket	Cast Iron, EN 1561 - GJL-250, ASTM Class 35			Gaskets of the pump	Ethylene propylene rubber (EPDM)
32						
33						
34						
35						
36						
37						
38						
39						
40						
41						

Motor data					
Electrical and dimensional data refer to IE3 motor					
42	Manufacturer	Lowara			
43	Specific design	IE3 3ph Flange Motor - Premium Efficiency			
44	Type	3MAS 225 M B35 45 kW			
45	Rated power	45 kW	Rated current	79.6 A	
46	Nominal speed	1480 rpm	Rated voltage	400 V	
47	Frame size	225 M	Service factor	1	
48	Weight	kg 285.6	Degree of protection	IP55	

Remarks					
49					
50					
50					
52					

Project	Xylect-20303810	Created by		Last update	12/6/2024
Block	NSCS 150-315/450/L45VCC4	Created on	12/6/2024		

NSCS 150-315/450/L45VCC4

Performance curve

Company name
Contact
Phone number
e-mail address

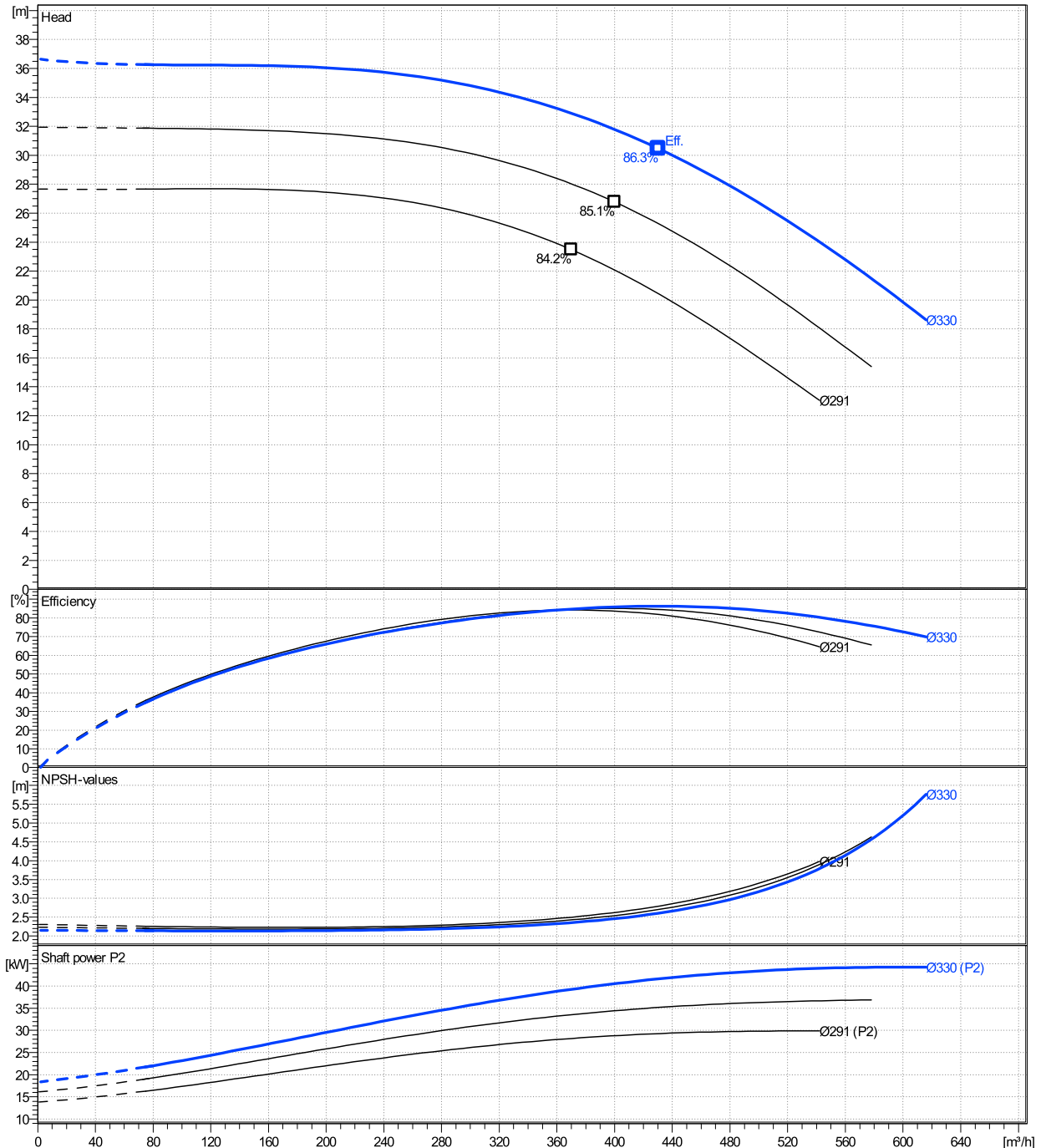
	Ø mm	Pump capacity			Pump head		Shaft power P2			Frequency		Hz	50
		Operating range Min. m³/h	Max. m³/h	η Max. m³/h	H(Q=0) m	η Max. m	P2(Q=0) kW	Max. kW	η Max. kW	Operating speed rpm	1480		
actual	330	80	616	430	36.6	30.5		44.3	41.6	Nominal flow	m³/h	0	
Min.	0	/	/	370	27.7	23.5		/	28.2	Nominal head	m	0	
Max.	330	/	/	430	36.6	30.5		/	41.6	Inlet pressure	kPa	0	
										Static head	m	0	

Power datas referred to:

hydr. Performance acceptance acc. To EN ISO 9906 Class Grade 3B

Water, pure [100%] ; 4°C; 1000kg/m³; 1.57mm²/s

MEI: 0,58 - according to Ecodesign Directive 2009/125/EC and Regulation (EU) No.547/2012



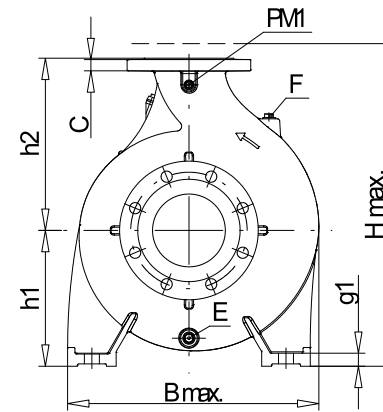
NSCS 150-315/450/L45VCC4

Dimensions

Company name
Contact
Phone number
e-mail address

Blockpump
Standard Design (Type B)
3MAS 225 M B35 45 kW

Electrical and dimensional data refer to IE3 motor



PM1...Pressure gauge connector
E...Drain
F...Filling



Value C, D may vary from Standard

Dimensions [mm]			
a	160	L	1210.5
A	356	m1	200
AA	84	m2	150
AB	470	n1	550
AD	323	n2	450
b	100	P	450
B	311	PM1	1/4"
BB	361	s1	23
Bmax	586	Trim	0
CTO	0	Type	B
DNd	150	Volumen	0.48236
DNs	200	w	433
E	3/8"	x	140
f	284		
F	3/8"		
g1	26		
H	225		
h1	280		
h2	400		
h3	0		
HA	30		
Hmax	680		
hs	55		
K	19		

Weight	
Total weight	457.6 kg

Connections			
Suction nozzle		Discharge nozzle	
DN200		DN150	
PN16		PN10/16	
EN1092-2		EN1092-2	
C	30	C	26
D	345	D	285
d1	266	d1	211
K	295	K	240
L	23	L	23
z	12	z	8

Dimensions and weight without obligation

Project	Xylect-20303810	Created by		Last update	12/6/2024
Block	NSCS 150-315/450/L45VCC4	Created on	12/6/2024		