

NSCS 150-400/150/L65VCC4

Technical data

Company name
Contact
Phone number
e-mail address

Operating data					
1	Pumpe type	Single head pump	Fluid	Water, pure	
2	No. of pumps	1	Operating temperature t A	°C	4
3	Nominal flow	m³/h 0	Max / Min Operating Temperature mech. Seal	°C	120 / -25
4	Nominal head	m 0	pH-value at t A		7
5	Static head	m 0	Density at t A	kg/m³	1000
6	Inlet pressure	kPa 0	Kin. viscosity at t A	mm²/s	1.569
7	Environmental temperature	°C 20	Vapor pressure at t A	kPa	100
8	Available system NPSH	m 0	Altitude		0

Pump data					
9	Lubrication	42			
10	Execution	Standard Design (Type B)			
11	Design	Horizontal			
12	Operating speed	980 rpm	Stages	1	
13	Suction nozzle	DN200 / PN16	/ EN1092-2		
14	Discharge nozzle	DN150 / PN10/16	/ EN1092-2		
15	Max. casing pressure	kPa	Impeller Ø	Max.	mm 423
16	Max. working pressure	kPa 167.8		designed	mm 337
17	Impeller type	Radial impeller		Min.	mm 337
18	Head H(Q=0)	m 17	Flow	Nominal	m³/h
19	Max. shaft power	kW 14.5		Max-	m³/h 396
20	Pump weight	kg		Min-	m³/h 43
21	Total weight	kg 349.0	Head	Nominal	m
				at Qmax	m 8.3
			Shaft power	at Qmin	m 17.4
			Efficiency		%
			NPSH 3%		m

Materials					
Pump			Shaft Seal		
22					
23	Volute Casing	Cast Iron, EN 1561 - GJL-250, ASTM Class 35	Single mechanical seal, without shaft sleeve		
24	Impeller	Cast Iron, EN 1561 - GJL-200, ASTM Class 30	eMG12 - Ø48mm	BQ7EGG-WA	
25	Casing Cover	Cast Iron, EN 1561 - GJL-250, ASTM Class 35	Mechanical seal diameter	48 mm	
26	Shaft	Stainless steel, 1.4057, AISI 431	1. Rotating ring	Carbon graphite resin impregnated	
27	Wear ring	Stainless steel, 1.4301, AISI 304	2. Stationary ring	SiC, silicon carbide, sintered press. less	
28	Impeller lock nut and washer	A4 (1.4401)	3. Secondary seal	Ethylene propylene rubber (EPDM)	
29	Impeller key	Stainless steel, 1.4571, AISI 316Ti	4. Springs	CrNiMo - Steel	
30	Fill and drain plugs	Galvanized carbon steel, EN 10277-3, AISI 1213 / 1215	5. Others	EPDM - WRAS	
31	Bearing bracket	Cast Iron, EN 1561 - GJL-250, ASTM Class 35	Gaskets of the pump	Ethylene propylene rubber (EPDM)	
32					
33					
34					
35					
36					
37					
38					
39					
40					
41					

Motor data					
Electrical and dimensional data refer to IE3 motor					
42	Manufacturer	Lowara			
43	Specific design	IE3 3ph Flange Motor - Premium Efficiency			
44	Type	3MAS 180 L B35 15 kW			
45	Rated power	15 kW	Rated current	30.6 A	
46	Nominal speed	975 rpm	Rated voltage	400 V	
47	Frame size	180 L	Service factor	1	
48	Weight	kg 138.0	Degree of protection	IP55	

Remarks					
49					
50					
50					
52					

NSCS 150-400/150/L65VCC4

Performance curve

Company name
Contact
Phone number
e-mail address

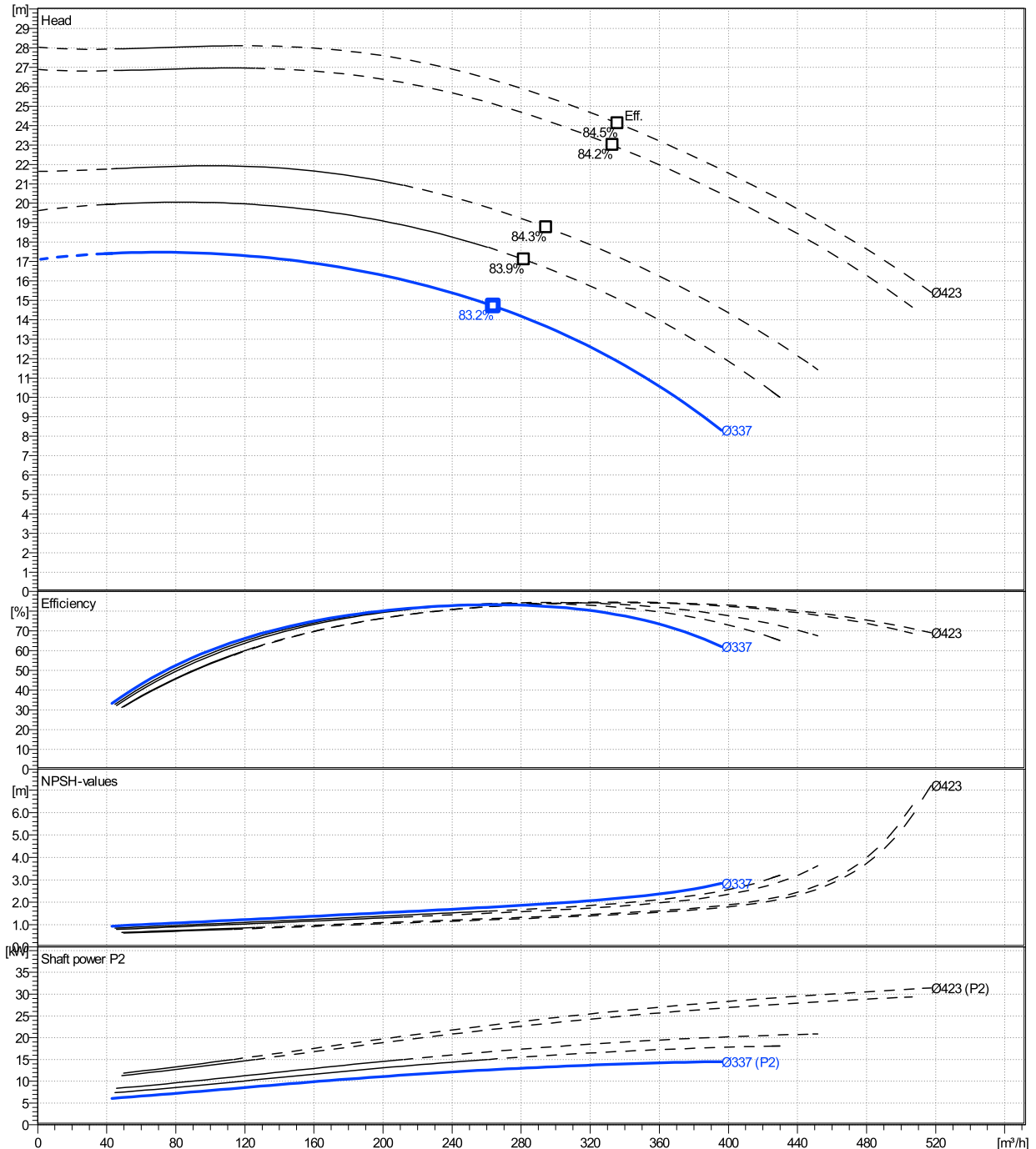
	Ø mm	Pump capacity Operating range			Pump head		Shaft power P2			Frequency		Hz	50
		Min. m³/h	Max. m³/h	Max. m³/h	H(Q=0) m	η Max. m	P2(Q=0) kW	Max. kW	η Max. kW	Operating speed rpm	980		
actual	337	43	396	264	17.1	14.7	14.5	12.7	12.7	Nominal flow	m³/h	0	
Min.	0	/	/	264	17.1	14.7	/	12.7	12.7	Nominal head	m	0	
Max.	423	/	/	336	28	24.1	/	26.1	26.1	Inlet pressure	kPa	0	
										Static head	m	0	

Power datas referred to:

hydr. Performance acceptance acc. To EN ISO 9906 Class Grade 3B

Water, pure [100%] ; 4°C; 1000kg/m³; 1.57mm²/s

MEI: >=0,70 - according to Ecodesign Directive 2009/125/EC and Regulation (EU) No.547/2012



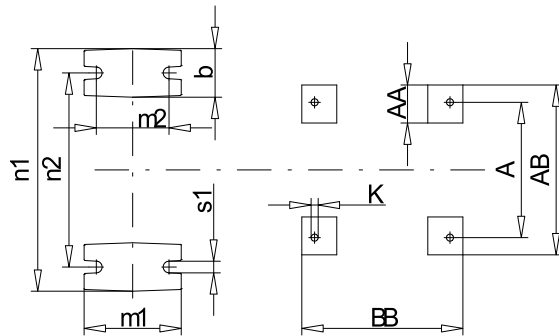
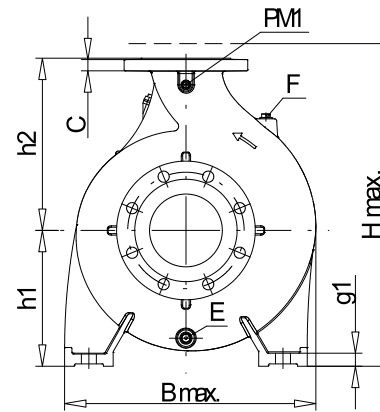
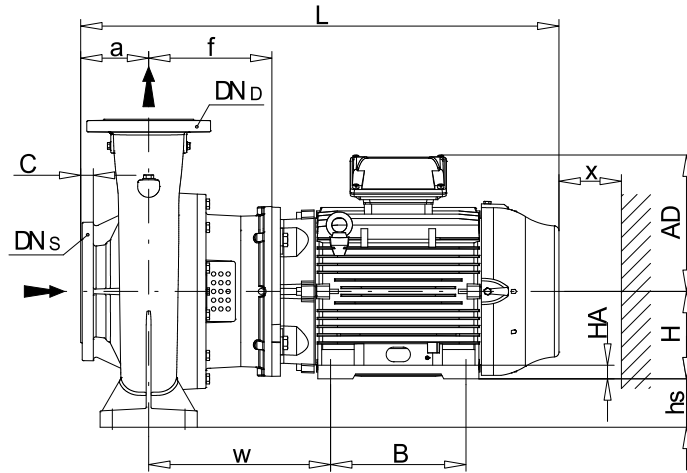
NSCS 150-400/150/L65VCC4

Dimensions

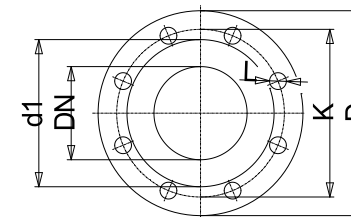
Company name
Contact
Phone number
e-mail address

Blockpump
Standard Design (Type B)
3MAS 180 L B35 15 kW

Electrical and dimensional data refer to IE3 motor



PM1...Pressure gauge connector
E...Drain
F...Filling



Value C, D may vary from Standard

Dimensions [mm]			
a	160	L	1005
A	279	m1	200
AA	64	m2	150
AB	364	n1	550
AD	264	n2	450
b	100	P	350
B	279	PM1	1/4"
BB	324	s1	23
Bmax	622	Trim	0
CTO	0	Type	B
DNd	150	Volumen	0.47821
DNs	200	w	375
E	3/8"	x	140
f	254		
F	3/8"		
g1	26		
H	180		
h1	315		
h2	450		
h3	0		
HA	22		
Hmax	765		
hs	135		
K	15		

Weight	
Total weight	349 kg

Connections			
Suction nozzle		Discharge nozzle	
DN200		DN150	
PN16		PN10/16	
EN1092-2		EN1092-2	
C	30	C	26
D	345	D	285
d1	266	d1	211
K	295	K	240
L	23	L	23
z	12	z	8

Dimensions and weight without obligation

Project	Xylect-20255621	Created by		Last update	11/26/2024
Block	NSCS 150-400/900/L45VCC4 E4	Created on	11/26/2024		