

NSCS 150-400/185/L65VCC4

Technical data

Company name
Contact
Phone number
e-mail address

Operating data				
1	Pumpe type	Single head pump	Fluid	Water, pure
2	No. of pumps	1	Operating temperature t A	°C 4
3	Nominal flow	m³/h 0	Max / Min Operating Temperature mech. Seal	°C 120 / -25
4	Nominal head	m 0	pH-value at t A	7
5	Static head	m 0	Density at t A	kg/m³ 1000
6	Inlet pressure	kPa 0	Kin. viscosity at t A	mm²/s 1.569
7	Environmental temperature	°C 20	Vapor pressure at t A	kPa 100
8	Available system NPSH	m 0	Altitude	0

Pump data				
9	Lubrication	42		
10	Execution	Standard Design (Type B)		
11	Design	Horizontal		
12	Operating speed	980 rpm	Stages	1
13	Suction nozzle	DN200 / PN16	/ EN1092-2	
14	Discharge nozzle	DN150 / PN10/16	/ EN1092-2	
15	Max. casing pressure	kPa	Impeller Ø	Max. mm 423
16	Max. working pressure	kPa 194.5		designed mm 362
17	Impeller type	Radial impeller		Min. mm 337
18	Head H(Q=0)	m 20	Flow	Nominal m³/h
19	Max. shaft power	kW 18.4		Max- m³/h 432
20	Pump weight	kg		Min- m³/h 45
21	Total weight	kg 392.8	Head	Nominal m
				at Qmax m 10.1
			at Qmin m 20.2	
			Shaft power	kW
			Efficiency	%
			NPSH 3%	m

Materials				
Pump		Shaft Seal		
22			Single mechanical seal, without shaft sleeve	
23	Volute Casing	Cast Iron, EN 1561 - GJL-250, ASTM Class 35		
24	Impeller	Cast Iron, EN 1561 - GJL-200, ASTM Class 30		eMG12 - Ø48mm BQ7EGG-WA
25	Casing Cover	Cast Iron, EN 1561 - GJL-250, ASTM Class 35		Mechanical seal diameter 48 mm
26	Shaft	Stainless steel, 1.4057, AISI 431		1. Rotating ring Carbon graphite resin impregnated
27	Wear ring	Stainless steel, 1.4301, AISI 304		2. Stationary ring SiC, silicon carbide, sintered press.less
28	Impeller lock nut and washer	A4 (1.4401)		3. Secondary seal Ethylene propylene rubber (EPDM)
29	Impeller key	Stainless steel, 1.4571, AISI 316Ti		4. Springs CrNiMo - Steel
30	Fill and drain plugs	Galvanized carbon steel, EN 10277-3, AISI 1213 / 1215		5. Others EPDM - WRAS
31	Bearing bracket	Cast Iron, EN 1561 - GJL-250, ASTM Class 35		Gaskets of the pump Ethylene propylene rubber (EPDM)
32				
33				
34				
35				
36				
37				
38				
39				
40				
41				

Motor data				
Electrical and dimensional data refer to IE3 motor				
42	Manufacturer	Lowara		
43	Specific design	IE3 3ph Flange Motor - Premium Efficiency		
44	Type	3MAS 200 L B35 18,5 kW		
45	Rated power	18.5 kW	Rated current	37.1 A
46	Nominal speed	980 rpm	Rated voltage	400 V
47	Frame size	200 L	Service factor	1
48	Weight	kg 180.8	Degree of protection	IP55

Remarks				
49				
50				
50				
52				

NSCS 150-400/185/L65VCC4

Performance curve

Company name
Contact
Phone number
e-mail address

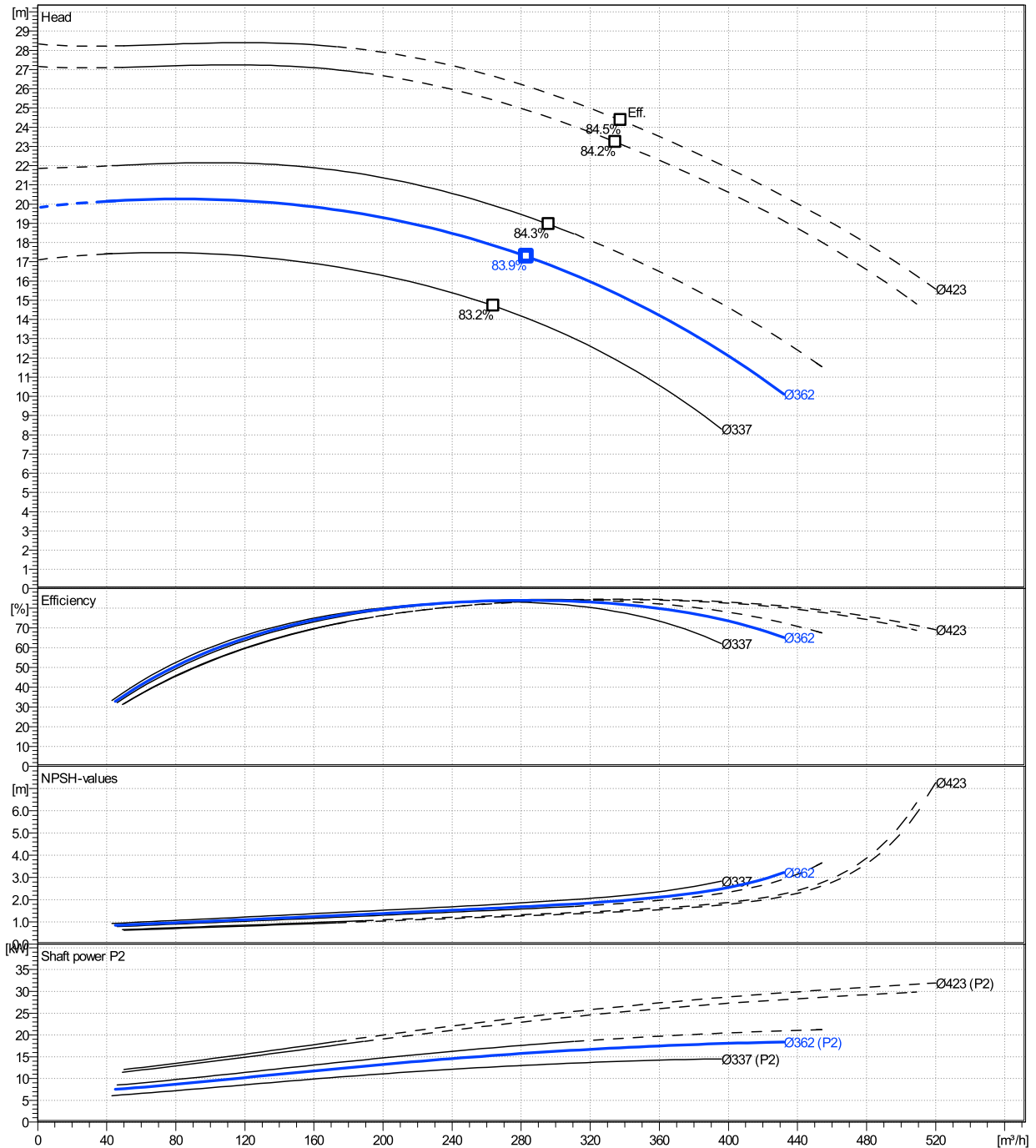
	Ø mm	Pump capacity Operating range η			Pump head H(Q=0) η		Shaft power P2 P2(Q=0) η			Frequency	Hz
		Min. m³/h	Max. m³/h	Max. m³/h	m	Max. m	kW	Max. kW	Max. kW	Operating speed	rpm
actual	362	45	432	283	19.8	17.3	18.4	15.8	50	980	
Min.	0	/	/	264	17.1	14.7	/	12.7	Nominal flow	m³/h	0
Max.	423	/	/	338	28.3	24.4	/	26.5	Nominal head	m	0
									Inlet pressure	kPa	0
									Static head	m	0

Power datas referred to:

hydr. Performance acceptance acc. To EN ISO 9906 Class Grade 3B

Water, pure [100%] ; 4°C; 1000kg/m³; 1.57mm²/s

MEI: >=0,70 - according to Ecodesign Directive 2009/125/EC and Regulation (EU) No.547/2012



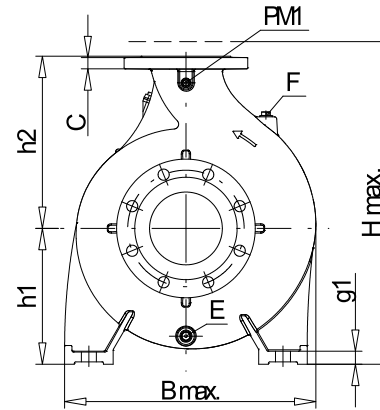
NSCS 150-400/185/L65VCC4

Dimensions

Company name
Contact
Phone number
e-mail address

Blockpump
Standard Design (Type B)
3MAS 200 L B35 18,5 kW

Electrical and dimensional data refer to IE3 motor



PM1...Pressure gauge connector
E...Drain
F...Filling



Value C, D may vary from Standard

Dimensions [mm]			
a	160	L	1085
A	318	m1	200
AA	69	m2	150
AB	408	n1	550
AD	300	n2	450
b	100	P	400
B	305	PM1	1/4"
BB	355	s1	23
Bmax	622	Trim	0
CTO	0	Type	B
DNd	150	Volumen	0.51628
DNs	200	w	387
E	3/8"	x	140
f	254		
F	3/8"		
g1	26		
H	200		
h1	315		
h2	450		
h3	0		
HA	27		
Hmax	765		
hs	115		
K	19		

Weight	
Total weight	392.8 kg

Connections			
Suction nozzle		Discharge nozzle	
DN200		DN150	
PN16		PN10/16	
EN1092-2		EN1092-2	
C	30	C	26
D	345	D	285
d1	266	d1	211
K	295	K	240
L	23	L	23
z	12	z	8

Dimensions and weight without obligation

Project	Xylect-20255621	Created by		Last update	11/26/2024
Block	NSCS 150-400/900/L45VCC4 E4	Created on	11/26/2024		