

NSCS 150-400/450/L45VCC4

Technical data

Company name
Contact
Phone number
e-mail address

Operating data				
1	Pumpe type	Single head pump	Fluid	Water, pure
2	No. of pumps	1	Operating temperature t A	°C 4
3	Nominal flow	m³/h 0	Max / Min Operating Temperature mech. Seal	°C 120 / -25
4	Nominal head	m 0	pH-value at t A	7
5	Static head	m 0	Density at t A	kg/m³ 1000
6	Inlet pressure	kPa 0	Kin. viscosity at t A	mm²/s 1.569
7	Environmental temperature	°C 20	Vapor pressure at t A	kPa 100
8	Available system NPSH	m 0	Altitude	0

Pump data				
9	Lubrication	42		
10	Execution	Standard Design (Type B)		
11	Design	Horizontal		
12	Operating speed	1485 rpm	Stages	1
13	Suction nozzle	DN200 / PN16	/ EN1092-2	
14	Discharge nozzle	DN150 / PN10/16	/ EN1092-2	
15	Max. casing pressure	kPa	Impeller Ø	Max. mm 398
16	Max. working pressure	kPa 362.5		designed mm 327
17	Impeller type	Radial impeller		
18	Head H(Q=0)	m 37	Flow	Min. mm 327
19	Max. shaft power	kW 44.5		Nominal m³/h
20	Pump weight	kg		Max- m³/h 522
21	Total weight	kg 506.6	Min- m³/h 70	
			Head	Nominal m
				at Qmax m 22.6
				at Qmin m 37.1
			Shaft power	kW
			Efficiency	%
			NPSH 3%	m

Materials				
Pump		Shaft Seal		
22			Single mechanical seal, without shaft sleeve	
23	Volute Casing	Cast Iron, EN 1561 - GJL-250, ASTM Class 35		
24	Impeller	Cast Iron, EN 1561 - GJL-200, ASTM Class 30		eMG12 - Ø48mm BQ7EGG-WA
25	Casing Cover	Cast Iron, EN 1561 - GJL-250, ASTM Class 35		Mechanical seal diameter 48 mm
26	Shaft	Stainless steel, 1.4057, AISI 431		1. Rotating ring Carbon graphite resin impregnated
27	Wear ring	Stainless steel, 1.4301, AISI 304		2. Stationary ring SiC, silicon carbide, sintered press. less
28	Impeller lock nut and washer	A4 (1.4401)		3. Secondary seal Ethylene propylene rubber (EPDM)
29	Impeller key	Stainless steel, 1.4571, AISI 316Ti		4. Springs CrNiMo - Steel
30	Fill and drain plugs	Galvanized carbon steel, EN 10277-3, AISI 1213 / 1215		5. Others EPDM - WRAS
31	Bearing bracket	Cast Iron, EN 1561 - GJL-250, ASTM Class 35		Gaskets of the pump Ethylene propylene rubber (EPDM)
32				
33				
34				
35				
36				
37				
38				
39				
40				
41				

Motor data				
Electrical and dimensional data refer to IE3 motor				
42	Manufacturer	Lowara		
43	Specific design	IE3 3ph Flange Motor - Premium Efficiency		
44	Type	3MAS 225 M B35 45 kW		
45	Rated power	45 kW	Rated current	79.6 A
46	Nominal speed	1480 rpm	Rated voltage	400 V
47	Frame size	225 M	Service factor	1
48	Weight	kg 285.6	Degree of protection	IP55

Remarks				
49				
50				
50				
52				

NSCS 150-400/450/L45VCC4

Performance curve

Company name
Contact
Phone number
e-mail address

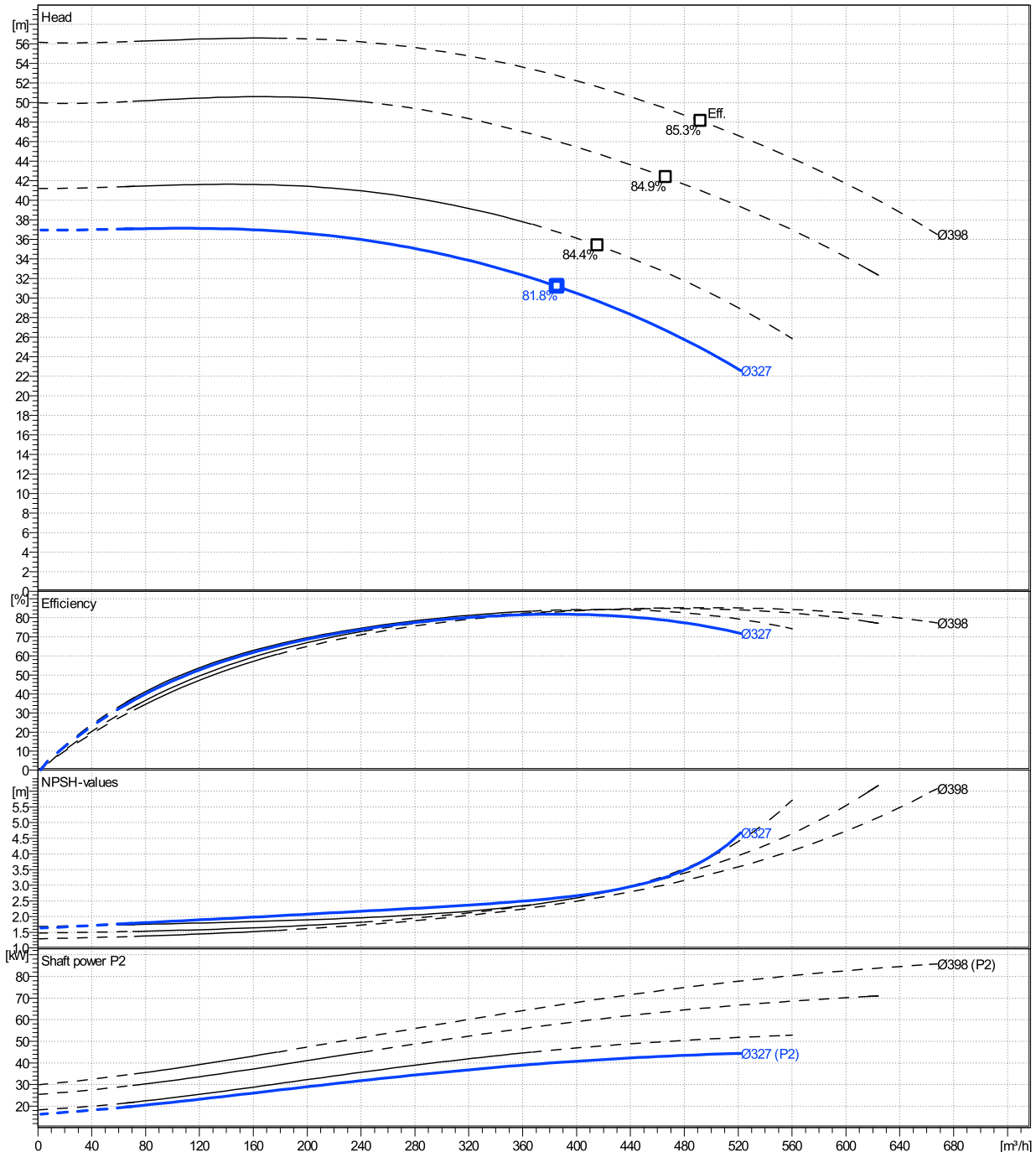
	Ø mm	Pump capacity			Pump head		Shaft power P2			Frequency	Hz	50
		Operating range Min. m³/h	Max. m³/h	η Max. m³/h	H(Q=0) m	η Max. m	P2(Q=0) kW	Max. kW	η Max. kW	Operating speed	rpm	1485
actual	327	70	522	386	37	31.2		44.5	40.2	Nominal flow	m³/h	0
Min.	0	/	/	386	37	31.2		/	40.2	Nominal head	m	0
Max.	398	/	/	492	56.2	48.1		/	75.8	Inlet pressure	kPa	0
										Static head	m	0

Power datas referred to:

hydr. Performance acceptance acc. To EN ISO 9906 Class Grade 3B

Water, pure [100%] ; 4°C; 1000kg/m³; 1.57mm²/s

MEI: >=0,70 - according to Ecodesign Directive 2009/125/EC and Regulation (EU) No.547/2012



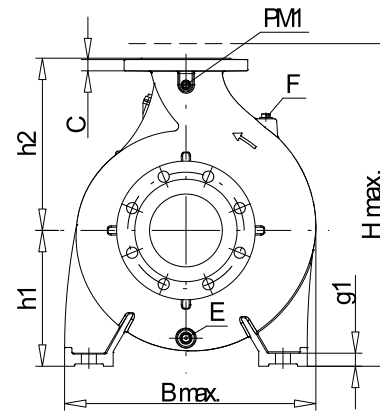
NSCS 150-400/450/L45VCC4

Dimensions

Company name
Contact
Phone number
e-mail address

Blockpump
Standard Design (Type B)
3MAS 225 M B35 45 kW

Electrical and dimensional data refer to IE3 motor



PM1...Pressure gauge connector
E...Drain
F...Filling



Value C, D may vary from Standard

Dimensions [mm]			
a	160	L	1210.5
A	356	m1	200
AA	84	m2	150
AB	470	n1	550
AD	323	n2	450
b	100	P	450
B	311	PM1	1/4"
BB	361	s1	23
Bmax	622	Trim	0
CTO	0	Type	B
DNd	150	Volumen	0.57599
DNs	200	w	433
E	3/8"	x	140
f	284		
F	3/8"		
g1	26		
H	225		
h1	315		
h2	450		
h3	0		
HA	30		
Hmax	765		
hs	90		
K	19		

Weight	
Total weight	506.6 kg

Connections			
Suction nozzle		Discharge nozzle	
DN200		DN150	
PN16		PN10/16	
EN1092-2		EN1092-2	
C	30	C	26
D	345	D	285
d1	266	d1	211
K	295	K	240
L	23	L	23
z	12	z	8

Dimensions and weight without obligation

Project	Xylect-20255621	Created by		Last update	11/26/2024
Block	NSCS 150-400/900/L45VCC4 E4	Created on	11/26/2024		