

# NSCS 150-400/900/L45VCC4 E4

## Technical data

Company name  
Contact  
Phone number  
e-mail address

Operating data					
1	Pumpe type	Single head pump	Fluid	Water, pure	
2	No. of pumps	1	Operating temperature t A	°C	4
3	Nominal flow	m³/h 0	Max / Min Operating Temperature mech. Seal	°C	120 / -25
4	Nominal head	m 0	pH-value at t A		7
5	Static head	m 0	Density at t A	kg/m³	1000
6	Inlet pressure	kPa 0	Kin. viscosity at t A	mm²/s	1.569
7	Environmental temperature	°C 20	Vapor pressure at t A	kPa	100
8	Available system NPSH	m 0	Altitude		0

Pump data					
9	Lubrication	42			
10	Execution	Standard Design (Type B)			
11	Design	Horizontal			
12	Operating speed	1485 rpm	Stages	1	
13	Suction nozzle	DN200 / PN16	/ EN1092-2		
14	Discharge nozzle	DN150 / PN10/16	/ EN1092-2		
15	Max. casing pressure	kPa		Impeller Ø	Max. mm 398
16	Max. working pressure	kPa 554.7			designed mm 398
17	Impeller type	Radial impeller			Min. mm 327
18	Head H(Q=0)	m 57		Flow	Nominal m³/h
19	Max. shaft power	kW 86.6			Max- m³/h 670
20	Pump weight	kg			Min- m³/h 77.5
21	Total weight	kg 1,052.5		Head	Nominal m
					at Qmax m 36.8
					at Qmin m 56.7
				Shaft power	kW
				Efficiency	%
				NPSH 3%	m

Materials					
Pump			Shaft Seal		
22					
23	Volute Casing	Cast Iron, EN 1561 - GJL-250, ASTM Class 35		Single mechanical seal, without shaft sleeve	
24	Impeller	Cast Iron, EN 1561 - GJL-200, ASTM Class 30		eMG12 - Ø48mm	BQ7EGG-WA
25	Casing Cover	Cast Iron, EN 1561 - GJL-250, ASTM Class 35		Mechanical seal diameter	48 mm
26	Shaft	Stainless steel, 1.4057, AISI 431		1. Rotating ring	Carbon graphite resin impregnated
27	Wear ring	Stainless steel, 1.4301, AISI 304		2. Stationary ring	SiC, silicon carbide, sintered press. less
28	Impeller lock nut and washer	A4 (1.4401)		3. Secondary seal	Ethylene propylene rubber (EPDM)
29	Impeller key	Stainless steel, 1.4571, AISI 316Ti		4. Springs	CrNiMo - Steel
30	Fill and drain plugs	Galvanized carbon steel, EN 10277-3, AISI 1213 / 1215		5. Others	EPDM - WRAS
31	Bearing bracket	Cast Iron, EN 1561 - GJL-250, ASTM Class 35		Gaskets of the pump	Ethylene propylene rubber (EPDM)
32					
33					
34					
35					
36					
37					
38					
39					
40					
41					

Motor data					
Electrical and dimensional data refer to IE4 motor					
42	Manufacturer	Lowara			
43	Specific design	IE4 3ph Flange Motor - Super Premium Efficiency			
44	Type	3MGS 280 M B35 90 kW E4			
45	Rated power	90 kW	Rated current	157 A	
46	Nominal speed	1490 rpm	Rated voltage	400 V	
47	Frame size	280 M	Service factor	1	
48	Weight	kg 820.5	Degree of protection	IP55	

Remarks					
49					
50					
50					
52					

# NSCS 150-400/900/L45VCC4 E4

## Performance curve

Company name  
Contact  
Phone number  
e-mail address

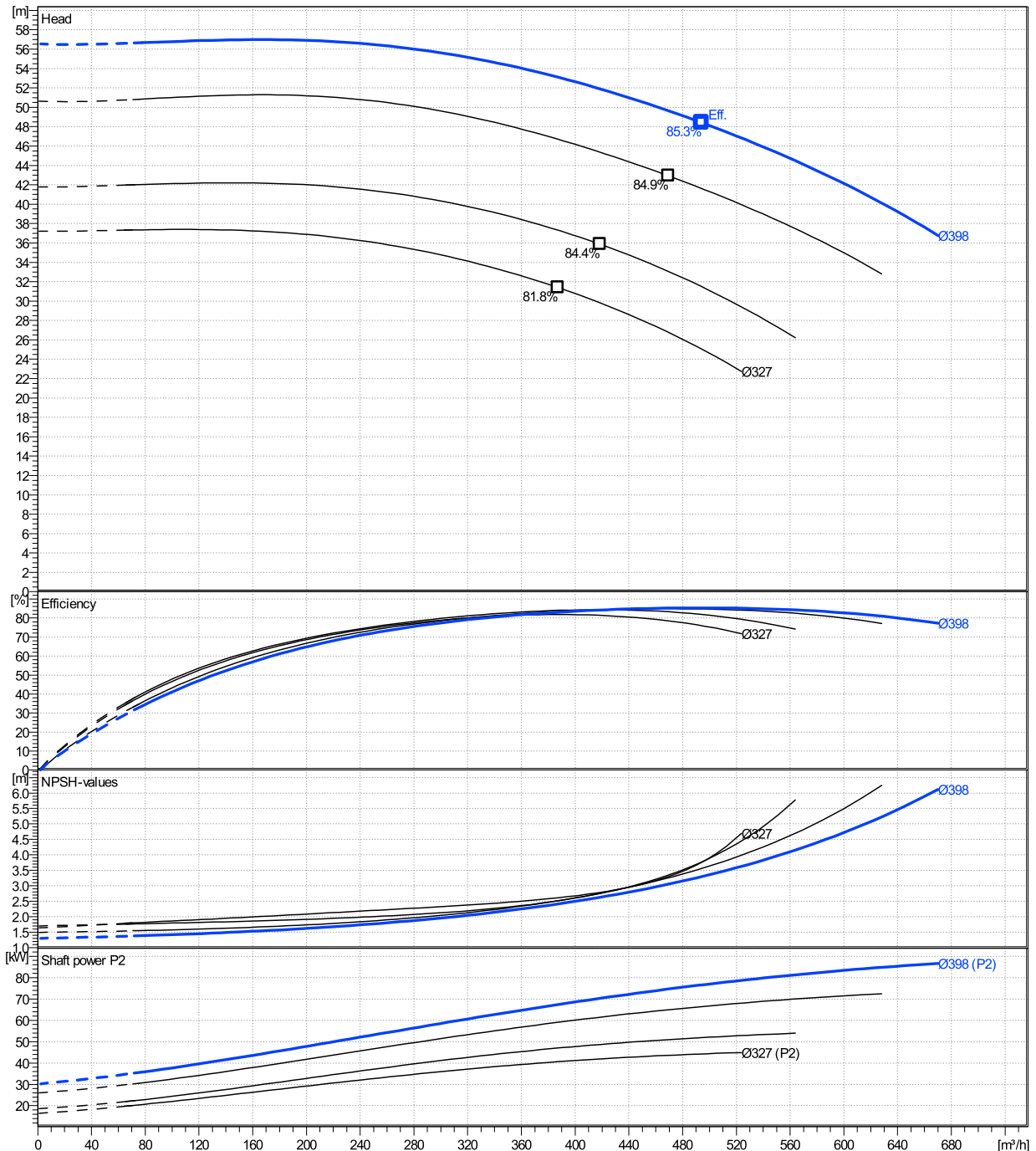
	Ø mm	Pump capacity			Pump head		Shaft power P2			Frequency	Hz	50
		Operating range Min. m³/h	Max. m³/h	η Max. m³/h	H(Q=0) m	η Max. m	P2(Q=0) kW	Max. kW	η Max. kW	Operating speed	rpm	1485
actual	398	77.5	670	494	56.5	48.4		86.6	76.5	Nominal flow	m³/h	0
Min.	0	/	/	387	37.2	31.4		/	40.6	Nominal head	m	0
Max.	398	/	/	494	56.5	48.4		/	76.5	Inlet pressure	kPa	0
										Static head	m	0

**Power datas referred to:**

hydr. Performance acceptance acc. To EN ISO 9906 Class Grade 3B

Water, pure [100%] ; 4°C; 1000kg/m³; 1.57mm²/s

MEI: >=0,70 - according to Ecodesign Directive 2009/125/EC and Regulation (EU) No.547/2012



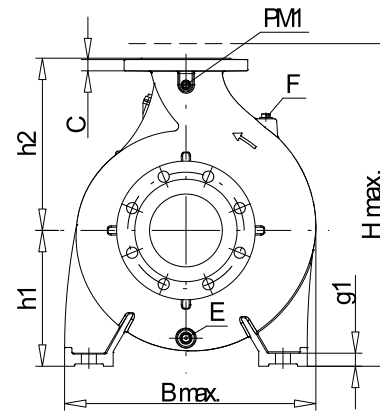
# NSCS 150-400/900/L45VCC4 E4

## Dimensions

Company name  
Contact  
Phone number  
e-mail address

Blockpump  
Standard Design (Type B)  
3MGS 280 M B35 90 kW E4

Electrical and dimensional data refer to IE4 motor



PM1...Pressure gauge connector  
E...Drain  
F...Filling



Value C, D may vary from Standard

Dimensions [ mm ]			
a	160	L	1315.5
A	457	m1	200
AA	110	m2	150
AB	606	n1	550
AD	413	n2	450
b	100	P	550
B	419	PM1	1/4"
BB	491	s1	23
Bmax	622	Trim	0
CTO	0	Type	B
DNd	150	Volumen	0.62595
DNs	200	w	474
E	3/8"	x	140
f	284		
F	3/8"		
g1	26		
H	280		
h1	315		
h2	450		
h3	0		
HA	44		
Hmax	765		
hs	35		
K	24		

Weight	
Total weight	1052.5 kg

Connections			
Suction nozzle		Discharge nozzle	
DN200		DN150	
PN16		PN10/16	
EN1092-2		EN1092-2	
C	30	C	26
D	345	D	285
d1	266	d1	211
K	295	K	240
L	23	L	23
z	12	z	8

### Dimensions and weight without obligation

Project	Xylect-20255621	Created by		Last update	11/26/2024
Block	NSCS 150-400/900/L45VCC4 E4	Created on	11/26/2024		