

# NSCS 200-315/750/L45VDC4 E4

## Technical data

Company name  
Contact  
Phone number  
e-mail address

Operating data					
1	Pumpe type	Single head pump		Fluid	Water, pure
2	No. of pumps	1		Operating temperature t A	°C 4
3	Nominal flow	m <sup>3</sup> /h	0	Max / Min Operating Temperature mech. Seal	°C 120 / -25
4	Nominal head	m	0	pH-value at t A	7
5	Static head	m	0	Density at t A	kg/m <sup>3</sup> 1000
6	Inlet pressure	kPa	0	Kin. viscosity at t A	mm <sup>2</sup> /s 1.569
7	Environmental temperature	°C	20	Vapor pressure at t A	kPa 100
8	Available system NPSH	m	0	Altitude	0

Pump data					
9	Lubrication	42			
10	Execution	Standard Design (Type B)			
11	Design	Horizontal			
12	Operating speed	1480 rpm	Stages	1	
13	Suction nozzle	DN250 /	PN16 /	EN1092-2	
14	Discharge nozzle	DN200 /	PN16 /	EN1092-2	
15	Max. casing pressure	kPa			
16	Max. working pressure	kPa	344.3		
17	Impeller type	Radial impeller			
18	Head H(Q=0)	m	35		
19	Max. shaft power	kW	57		
20	Pump weight	kg			
21	Total weight	kg	954.8		
			Impeller Ø	Max.	mm 333
				designed	mm 333
				Min.	mm 268
				Nominal	m <sup>3</sup> /h
			Flow	Max-	m <sup>3</sup> /h 920
				Min-	m <sup>3</sup> /h 150
				Nominal	m
			Head	at Qmax	m 14.4
				at Qmin	m 34.4
				Shaft power	kW
				Efficiency	%
				NPSH 3%	m

Materials					
Pump			Shaft Seal		
22					
23	Volute Casing	Ductile Iron, EN-GJS-400-15, ASTM A536 40-60-18		Single mechanical seal, without shaft sleeve	
24	Impeller	Cast Iron, EN 1561 - GJL-200, ASTM Class 30		eMG12 - Ø48mm	BQ7EGG-WA
25	Casing Cover	Ductile Iron, EN-GJS-400-15, ASTM A536 40-60-18		Mechanical seal diameter	48 mm
26	Shaft	Stainless steel, 1.4057, AISI 431		1. Rotating ring	Carbon graphite resin impregnated
27	Wear ring	Stainless steel, 1.4301, AISI 304		2. Stationary ring	SiC, silicon carbide, sintered press. less
28	Impeller lock nut and washer	A4 (1.4401)		3. Secondary seal	Ethylene propylene rubber (EPDM)
29	Impeller key	Stainless steel, 1.4571, AISI 316Ti		4. Springs	CrNiMo - Steel
30	Fill and drain plugs	Galvanized carbon steel, EN 10277-3, AISI 1213 / 1215		5. Others	EPDM - WRAS
31	Bearing bracket	Cast Iron, EN 1561 - GJL-250, ASTM Class 35		Gaskets of the pump	Ethylene propylene rubber (EPDM)
32					
33					
34					
35					
36					
37					
38					
39					
40					
41					

Motor data					
Electrical and dimensional data refer to IE4 motor					
42	Manufacturer	Lowara			
43	Specific design	IE4 3ph Flange Motor - Super Premium Efficiency			
44	Type	3MGS 280 S B35 75 kW E4			
45	Rated power	75 kW	Rated current	134 A	
46	Nominal speed	1490 rpm	Rated voltage	400 V	
47	Frame size	280 S	Service factor	1	
48	Weight	kg 728.8	Degree of protection	IP55	

Remarks					
49					
50					
50					
52					

Project	Xylect-20303810	Created by		Last update	12/6/2024
Block	NSCS 200-315/750/L45VDC4 E4	Created on	12/6/2024		

# NSCS 200-315/750/L45VDC4 E4

## Performance curve

Company name  
Contact  
Phone number  
e-mail address

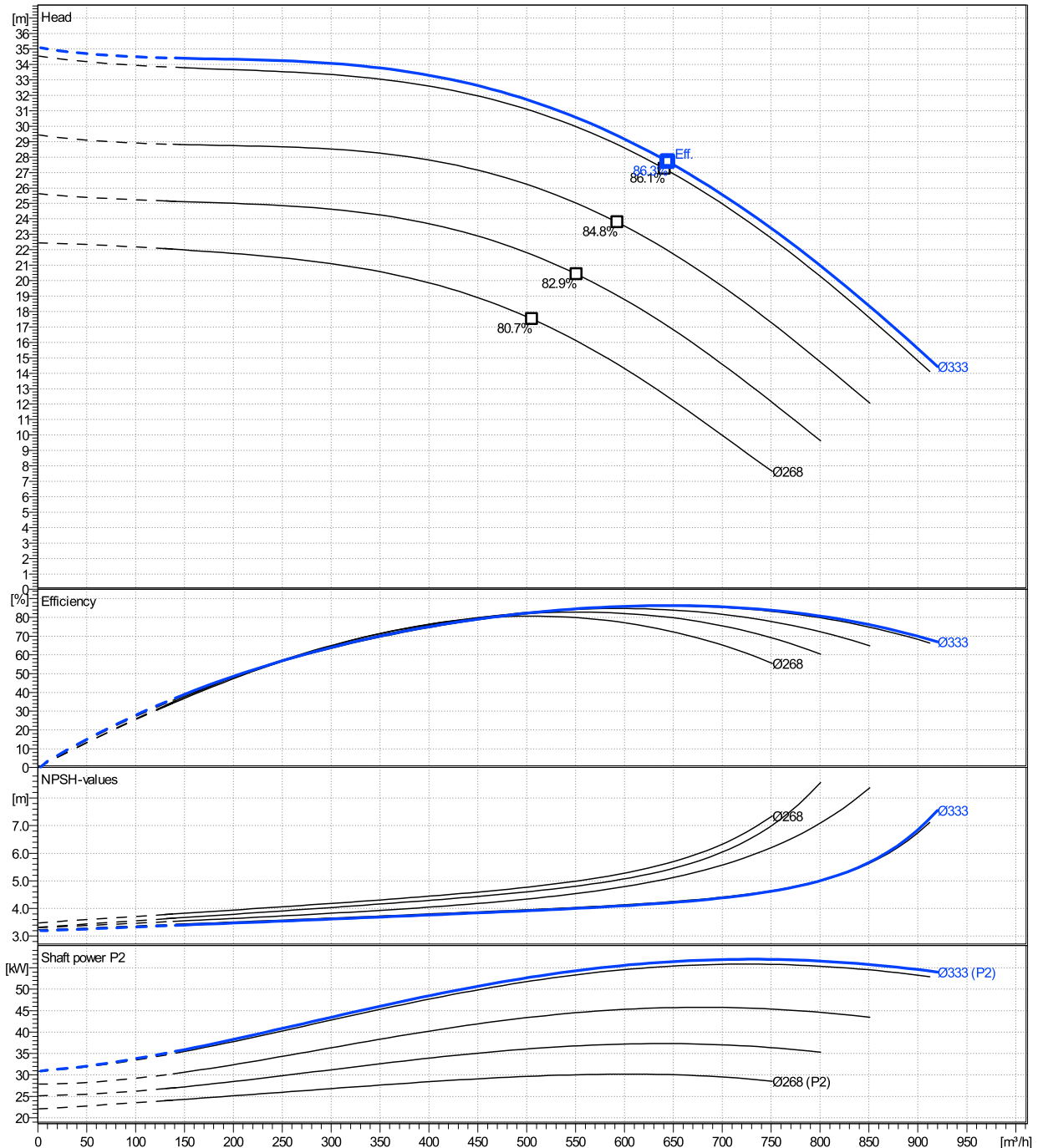
	Ø mm	Pump capacity			Pump head		Shaft power P2			Frequency	Hz	50
		Operating range Min. m³/h	Max. m³/h	η Max. m³/h	H(Q=0) m	η Max. m	P2(Q=0) kW	Max. kW	η Max. kW	Operating speed	rpm	1480
actual	333	150	920	645	35.1	27.7	57	56.4	Nominal flow	m³/h	0	
Min.	0	/	/	506	22.4	17.5	/	29.7	Nominal head	m	0	
Max.	333	/	/	645	35.1	27.7	/	56.4	Inlet pressure	kPa	0	
									Static head	m	0	

**Power datas referred to:**

hydr. Performance acceptance acc. To EN ISO 9906 Class Grade 2B

Water, pure [100%] ; 4°C; 1000kg/m³; 1.57mm²/s

MEI: 0,56 - according to Ecodesign Directive 2009/125/EC and Regulation (EU) No.547/2012



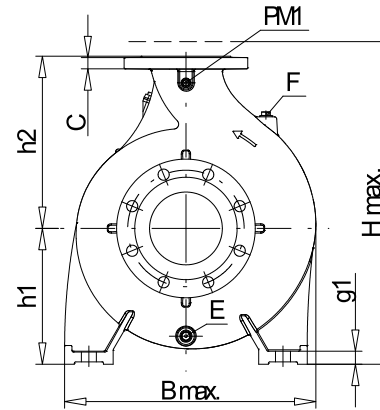
# NSCS 200-315/750/L45VDC4 E4

## Dimensions

Company name  
Contact  
Phone number  
e-mail address

Blockpump  
Standard Design (Type B)  
3MGS 280 S B35 75 kW E4

Electrical and dimensional data refer to IE4 motor



PM1...Pressure gauge connector  
E...Drain  
F...Filling



Value C, D may vary from Standard

Dimensions [ mm ]			
a	180	L	1335.5
A	457	m1	200
AA	110	m2	150
AB	606	n1	550
AD	413	n2	450
b	100	P	550
B	368	PM1	1/2"
BB	440	s1	23
Bmax	645	Trim	0
CTO	0	Type	B
DNd	200	Volumen	0.69342
DNs	250	w	474
E	1/2"	x	200
F	-		
f	284		
g1	26		
H	280		
h1	355		
h2	450		
h3	0		
HA	44		
Hmax	805		
hs	75		
K	24		

Weight	
Total weight	954.8 kg

Connections			
Suction nozzle		Discharge nozzle	
DN250		DN200	
PN16		PN16	
EN1092-2		EN1092-2	
C	32	C	30
D	405	D	345
d1	319	d1	266
K	355	K	295
L	28	L	23
z	12	z	12

### Dimensions and weight without obligation

Project	Xylect-20303810	Created by		Last update	12/6/2024
Block	NSCS 200-315/750/L45VDC4 E4	Created on	12/6/2024		